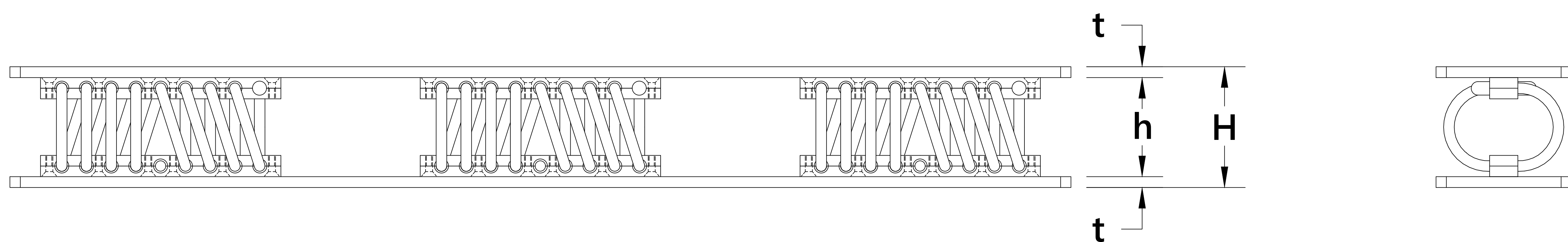
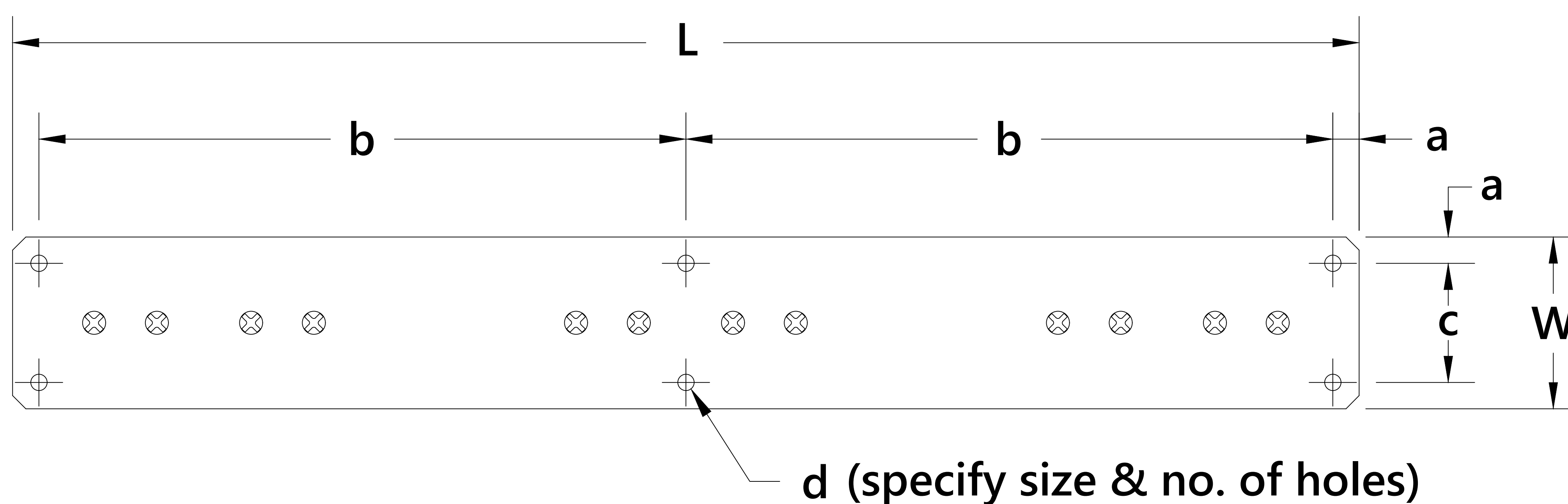


RAIL ASSEMBLIES

Rail Assemblies are used primarily to facilitate installation and to add structural rigidity to equipment and/or mounting interfaces. Structural angles and channels can be used in lieu of flat rails to allow for mounting to perpendicular surfaces (see photo). Rail Assemblies are generally custom made, and therefore specifics about length, width, materials, finishes, etc... need to be specified at the time of order. The drawing(s) at the bottom of this page, and sub-sequent pages, can assist you in the design process.



Isolator P/N: _____

Quantity: _____

Plate Material: _____

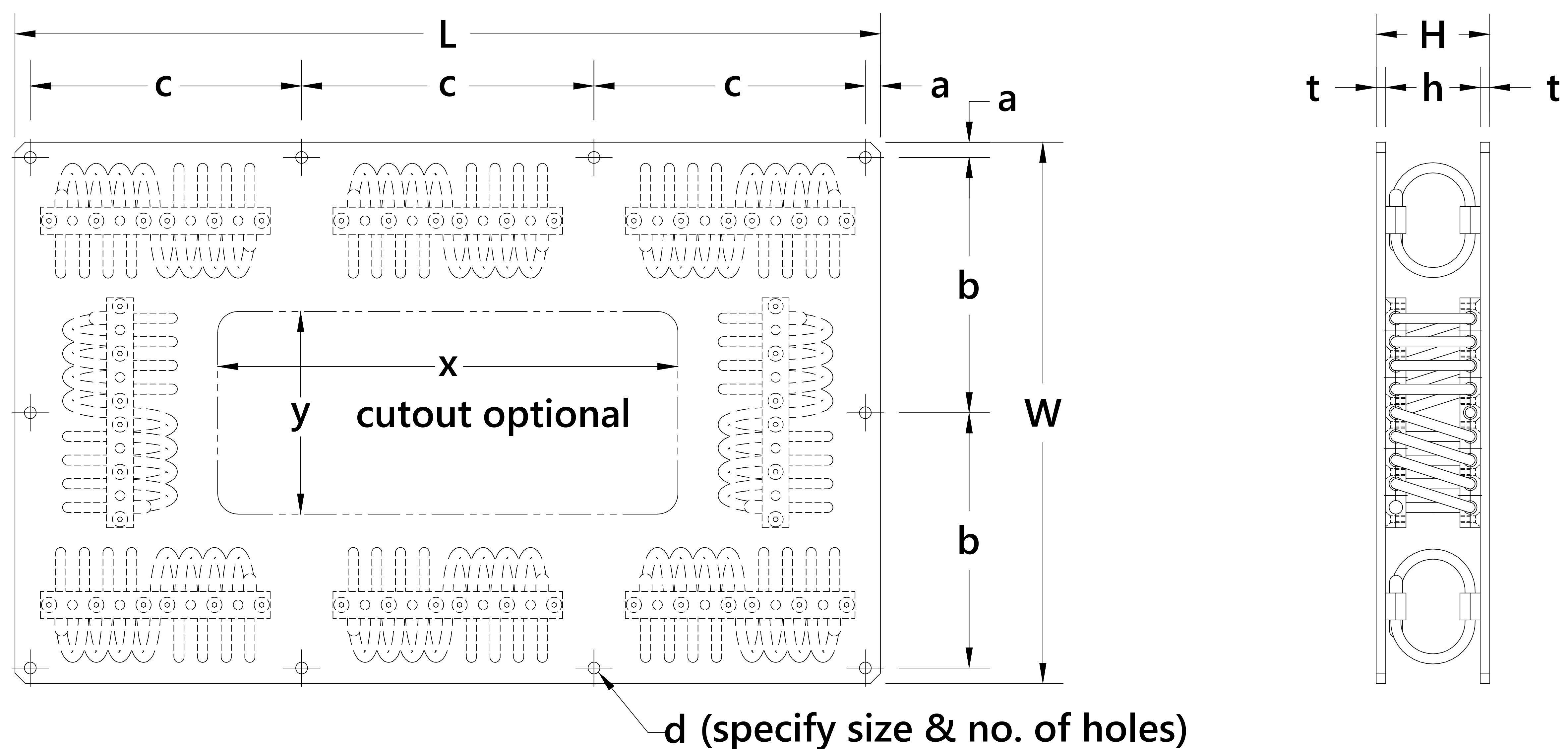
Plate Finish: _____

Mounting Hole Size: _____

No. of Holes: _____

PLATE & TRAY ASSEMBLIES

Plate & Tray Assemblies provide the user the option of incorporating a large number of isolators into a relatively small area. This is accomplished without costly and time consuming installation since the mounting holes are located around the perimeter of the plates. Plate assemblies are especially useful when isolating many pieces of equipment having similar footprints, but varying weights. By simply adding or deleting isolators, a constant Spring Rate to Weight ratio (K/W) can be maintained for all pieces of equipment therefore insuring equal levels of performance. As with Rails, Plate assemblies provide the added benefit of increasing the structural rigidity of the equipment.



Isolator P/N: _____

Quantity: _____

Plate Material: _____

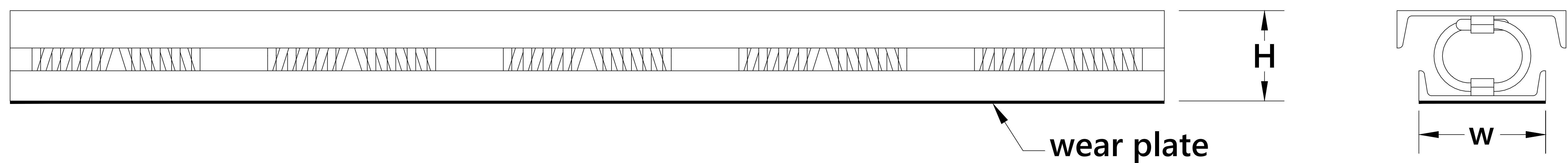
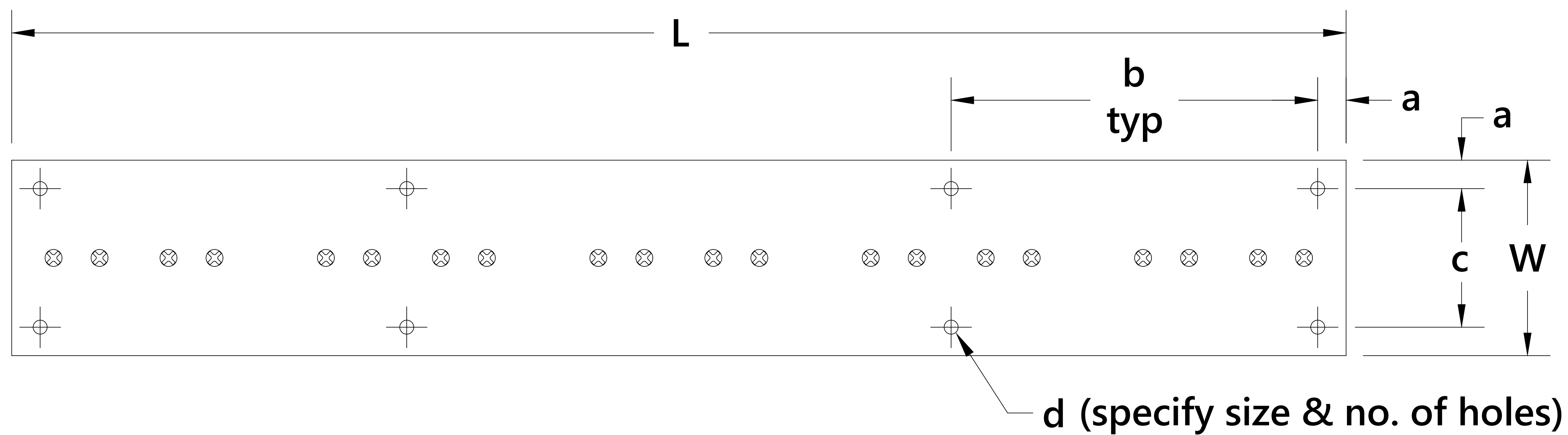
Plate Finish: _____

Mounting Hole Size: _____

No. of Holes: _____

SKID ASSEMBLIES

Skid Assemblies are used most commonly to isolate fragile equipment transported in large shipping containers and military shelters. The lower surface of the bottom rail is fitted with a replaceable, wear resistant plate that allows the equipment to be towed over all types of rugged terrain. Provisions for towing and fork lifting can be incorporated into the skids if required. The entire assembly (including isolators) can be painted with CARC or any other type of paint to harmonize with the equipment.



Isolator P/N: _____

Quantity: _____

Plate Material: _____

Plate Finish: _____

Mounting Hole Size: _____

No. of Holes: _____

ASSEMBLIES

SHORT BAR ISOLATORS (SB SERIES)

Short Bar Isolators are used in applications where there is a limited amount of space and a standard Helical Cable Isolator may be too long ("SB Series" isolators are approximately half the length of our standard "M Series"). Since isolator spring rates are directly proportional to the number of cable loops, the "K" values for these isolators can easily be calculated from the M Series data sheets by simply multiplying by the ratio of cable loops. As with all other IDC products, special materials and finishes are available upon request.

MISCELLANEOUS

The versatile nature of cable as a resilient element allows it to be used in an almost endless number of applications and configurations. From equipment weighing a few ounces to many tons, IDC can custom design and build any type of isolation system required, all within our own state of the art facility. Shown below are a few of our other cable isolation products. Feel free to call us to discuss your particular isolation needs.