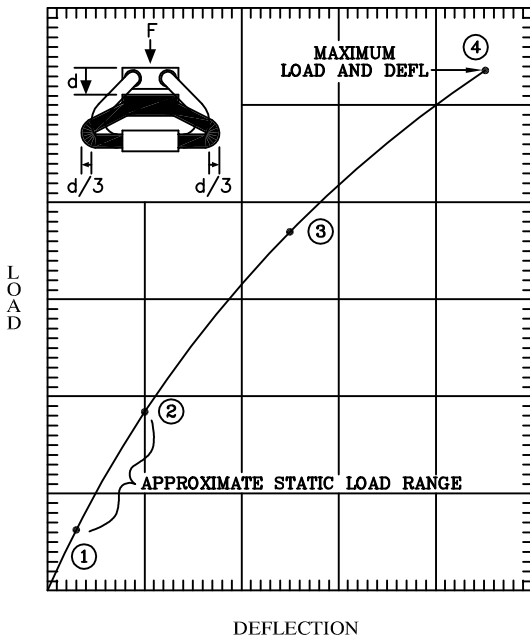


PART NUMBER	DIMENSIONS, in.			ISOLATOR WEIGHT
	H ±.04	Wf (REF)	Wd (REF)	
SM7 - 165 - A	1.65 (41.9)	2.25 (57.2)	3.00 (76.2)	2.5oz (71gms)
SM7 - 185 - A	1.85 (47.0)	2.50 (63.5)	3.25 (82.6)	2.6oz (73gms)
SM7 - 215 - A	2.15 (54.6)	2.75 (69.9)	3.60 (91.4)	2.7oz (75gms)

- FEATURES:**
- ALL METAL CONSTRUCTION
  - UNEQUALLED TEMP. RANGE: -200°F TO 500°F
  - THREE AXIS CAPABILITY
  - MAINTENANCE FREE
  - FAIL SAFE DESIGN
  - HIGH DAMPING: C/Cc ≈ .20
  - EXCEPTIONAL RELIABILITY
- MATERIALS/FINISHES:**
- CABLE: 300 SERIES SS PER MIL-W-83420 OR RR-W-410
  - INSERTS: 300 SERIES SS PER NAS1130-4-10
  - RETAINER BARS: 6063-T52 ALUM ALLOY/CHEM FILM IAW MIL-C-5541, CLASS 1A.

- NOTES:**
- 1) ALL DIMENSIONS IN PARENTHESIS ARE METRIC (mm).
  - 2) SPECIALS AVAILABLE UPON REQUEST (MATERIALS, SIZE, MOUNTING HOLES, FINISH, ETC...)

**COMPRESSION**



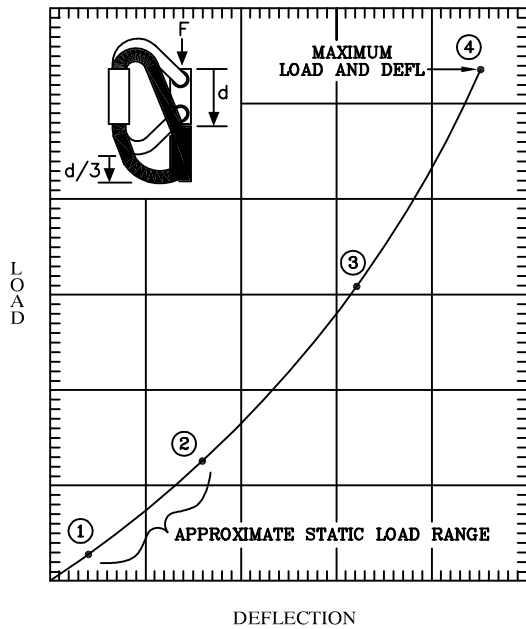
PART NO.	①		②		③		④		K <sub>v</sub> (VIBE) (lbs/in)	K <sub>s</sub> (SHOCK) (lbs/in)
	LOAD (lbs)	DEFL (in)	LOAD (lbs)	DEFL (in)	LOAD (lbs)	DEFL (in)	LOAD (lbs)	DEFL (in)		
SM7-165-A	7.2	.04	14.5	.10	46.0	.50	67.0	.90	155	93
SM7-185-A	4.8	.04	9.6	.10	32.0	.60	48.0	1.10	102	53
SM7-215-A	3.2	.04	5.6	.10	24.0	.70	35.0	1.30	61	34

TOLL FREE : 888-ISOLATOR  
 FAX : (631) 491-5672  
 WEB SITE : www.isolator.com  
 E-MAIL : sales@isolator.com  
 CAGE : 07QQ7



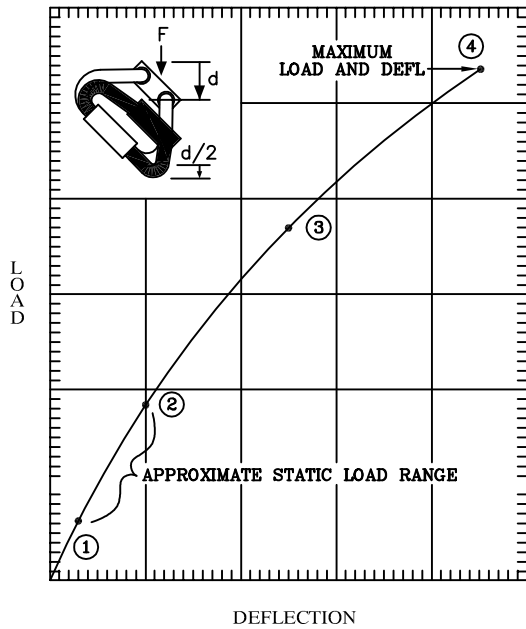
PERFORMANCE DATA • **SM7 SERIES** • 7/32" DIAMETER CABLE  
SHOCK & VIBRATION ISOLATORS

**ROLL**



PART NO.	①		②		③		④		K <sub>v</sub> (VIBE) (lbs/in)	K <sub>s</sub> (SHOCK) (lbs/in)
	LOAD (lbs)	DEFL (in)	LOAD (lbs)	DEFL (in)	LOAD (lbs)	DEFL (in)	LOAD (lbs)	DEFL (in)		
SM7-165-A	4.0	.04	6.4	.10	27.0	.50	59.0	.90	74	54
SM7-185-A	2.4	.04	4.0	.10	19.0	.60	42.0	1.10	46	32
SM7-215-A	1.6	.04	3.2	.10	16.0	.70	35.0	1.30	34	22

**45° COMPRESSION/ROLL**



PART NO.	①		②		③		④		K <sub>v</sub> (VIBE) (lbs/in)	K <sub>s</sub> (SHOCK) (lbs/in)
	LOAD (lbs)	DEFL (in)	LOAD (lbs)	DEFL (in)	LOAD (lbs)	DEFL (in)	LOAD (lbs)	DEFL (in)		
SM7-165-A	5.6	.04	9.6	.10	37.0	.70	51.0	1.25	109	53
SM7-185-A	3.2	.04	6.4	.10	27.0	.85	38.0	1.50	69	32
SM7-215-A	2.4	.04	4.0	.10	21.0	1.00	35.0	1.80	45	21

TOLL FREE : 888-ISOLATOR  
FAX : (631) 491-5672  
WEB SITE : www.isolator.com  
E-MAIL : sales@isolator.com  
CAGE : 070Q7

