

PART NUMBER	DIMENSIONS, in.			ISOLATOR WEIGHT
	H ±.04	Wf (REF)	Wd (REF)	
SM6 - 165 - A	1.65 (41,9)	2.25 (57,2)	3.00 (76,2)	2.2oz (63gms)
SM6 - 185 - A	1.85 (47,0)	2.50 (63,5)	3.25 (82,6)	2.3oz (65gms)
SM6 - 215 - A	2.15 (54,6)	2.75 (69,9)	3.60 (91,4)	2.4oz (67gms)

FEATURES:

- ALL METAL CONSTRUCTION
- UNEQUALLED TEMP. RANGE: -200°F TO 500°F
- THREE AXIS CAPABILITY
- MAINTENANCE FREE
- FAIL SAFE DESIGN
- HIGH DAMPING: C/Cc ≈ .20
- EXCEPTIONAL RELIABILITY

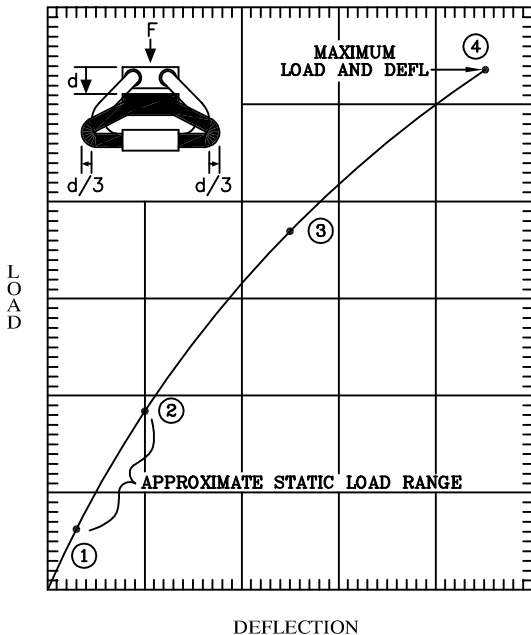
MATERIALS/FINISHES:

- CABLE: 300 SERIES SS PER MIL-W-83420 OR RR-W-410
- INSERTS: 300 SERIES SS PER NAS1130-4-10
- RETAINER BARS: 6063-T52 ALUM ALLOY/CHEM FILM IAW MIL-C-5541, CLASS 1A.

NOTES:

- 1) ALL DIMENSIONS IN PARENTHESIS ARE METRIC (mm).
- 2) SPECIALS AVAILABLE UPON REQUEST (MATERIALS, SIZE, MOUNTING HOLES, FINISH, ETC...)

COMPRESSION

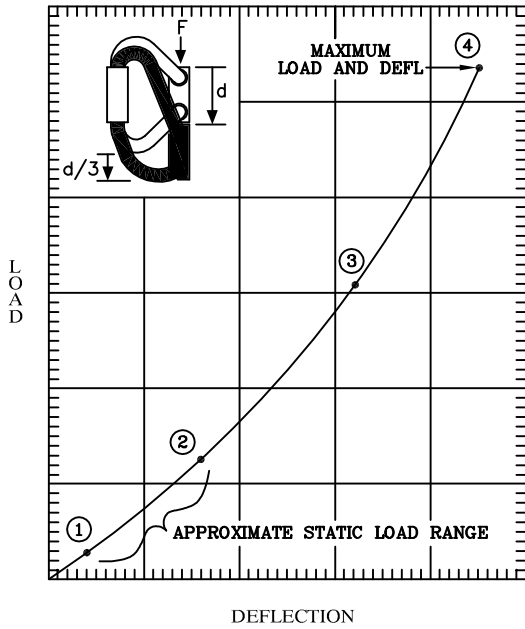


PART NO.	①		②		③		④		K _v (VIBE) (lbs/in)	K _s (SHOCK) (lbs/in)
	LOAD (lbs)	DEFL (in)	LOAD (lbs)	DEFL (in)	LOAD (lbs)	DEFL (in)	LOAD (lbs)	DEFL (in)		
SM6-165-A	4.5	.04	9.0	.10	29.0	.50	42.0	.90	96	58
SM6-185-A	3.0	.04	6.0	.10	20.0	.60	30.0	1.10	64	33
SM6-215-A	2.0	.04	3.5	.10	15.0	.70	22.0	1.30	38	21



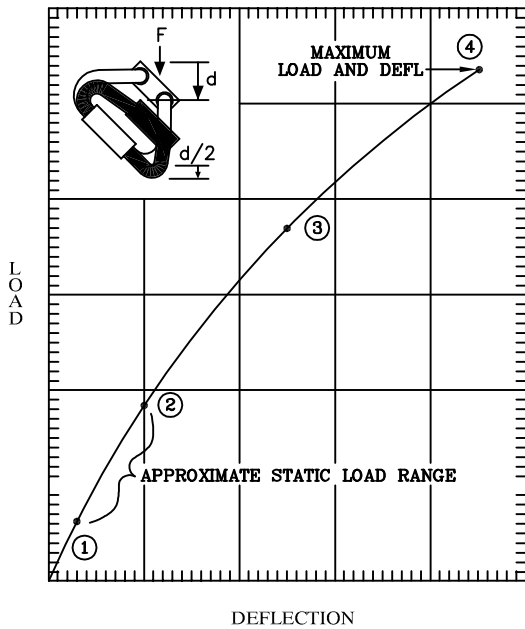
PERFORMANCE DATA • **SM6 SERIES** • 3/16" DIAMETER CABLE
SHOCK & VIBRATION ISOLATORS

ROLL



PART NO.	①		②		③		④		K _v (VIBE) (lbs/in)	K _s (SHOCK) (lbs/in)
	LOAD (lbs)	DEFL (in)	LOAD (lbs)	DEFL (in)	LOAD (lbs)	DEFL (in)	LOAD (lbs)	DEFL (in)		
SM6-165-A	2.5	.04	4.0	.10	17.0	.50	37.0	.90	46	34
SM6-185-A	1.5	.04	2.5	.10	12.0	.60	26.0	1.10	29	20
SM6-215-A	1.0	.04	2.0	.10	10.0	.70	22.0	1.30	21	14

45° COMPRESSION/ROLL



PART NO.	①		②		③		④		K _v (VIBE) (lbs/in)	K _s (SHOCK) (lbs/in)
	LOAD (lbs)	DEFL (in)	LOAD (lbs)	DEFL (in)	LOAD (lbs)	DEFL (in)	LOAD (lbs)	DEFL (in)		
SM6-165-A	3.5	.04	6.0	.10	23.0	.70	32.0	1.25	68	33
SM6-185-A	2.0	.04	4.0	.10	17.0	.85	24.0	1.50	43	20
SM6-215-A	1.5	.04	2.5	.10	13.0	1.00	22.0	1.80	28	13

TOLL FREE : 888-ISOLATOR
FAX : (631) 491-5672
WEB SITE : www.isolator.com
E-MAIL : sales@isolator.com
CAGE : 07QQ7

