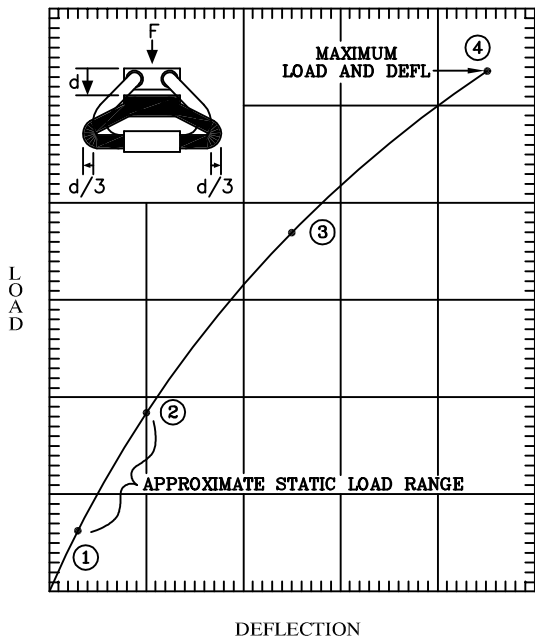


PART NUMBER	DIMENSIONS, in.			ISOLATOR WEIGHT
	H ±.03	Wf (REF)	Wd (REF)	
SM5 - 100 - A	1.00 (25.4)	1.65 (41.9)	2.20 (55.9)	.84oz (22.7gms)
SM5 - 120 - A	1.20 (30.5)	1.85 (47.0)	2.40 (61.0)	.96oz (27.3gms)
SM5 - 145 - A	1.45 (36.8)	2.00 (50.8)	2.60 (66.0)	1.1oz (31gms)

- FEATURES:**
- ALL METAL CONSTRUCTION
 - UNEQUALLED TEMP. RANGE: -200°F TO 500°F
 - THREE AXIS CAPABILITY
 - MAINTENANCE FREE
 - FAIL SAFE DESIGN
 - HIGH DAMPING: C/Cc ≈ .20
 - EXCEPTIONAL RELIABILITY
- MATERIALS/FINISHES:**
- CABLE: 300 SERIES SS PER MIL-W-83420 OR RR-W-410
 - INSERTS: 300 SERIES SS PER NAS1130-3-10
 - RETAINER BARS: 6063-T52 ALUM ALLOY/CHEM FILM IAW MIL-C-5541, CLASS 1A.

- NOTES:**
- 1) ALL DIMENSIONS IN PARENTHESIS ARE METRIC (mm).
 - 2) SPECIALS AVAILABLE UPON REQUEST (MATERIALS, SIZE, MOUNTING HOLES, FINISH, ETC...)

COMPRESSION

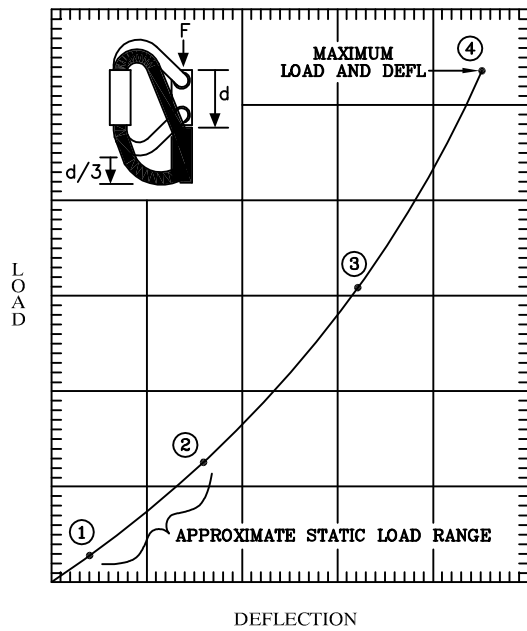


PART NO.	①		②		③		④		K _v (VIBE) (lbs/in)	K _s (SHOCK) (lbs/in)
	LOAD (lbs)	DEFL (in)	LOAD (lbs)	DEFL (in)	LOAD (lbs)	DEFL (in)	LOAD (lbs)	DEFL (in)		
SM5-100-A	9.0	.04	19.5	.10	39.0	.27	57.0	.45	205	145
SM5-120-A	5.0	.04	10.0	.10	24.0	.37	34.0	.65	107	66
SM5-145-A	2.5	.04	5.0	.10	15.5	.50	21.0	.90	55	31



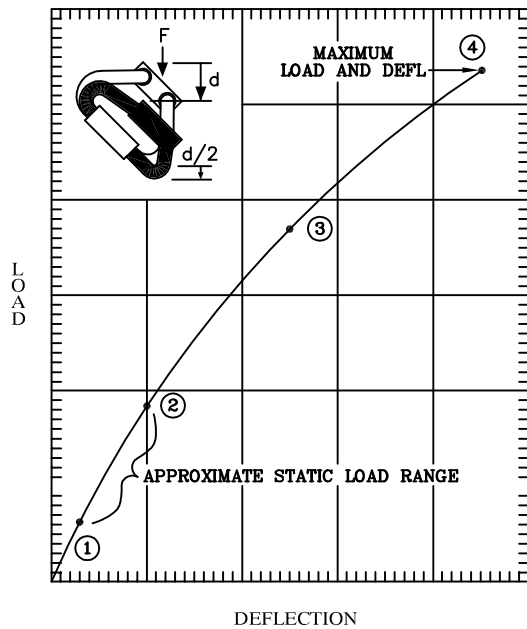
PERFORMANCE DATA • **SM5 SERIES** • 5/32" DIAMETER CABLE
SHOCK & VIBRATION ISOLATORS

ROLL



PART NO.	①		②		③		④		K _v (VIBE) (lbs/in)	K _s (SHOCK) (lbs/in)
	LOAD (lbs)	DEFL (in)	LOAD (lbs)	DEFL (in)	LOAD (lbs)	DEFL (in)	LOAD (lbs)	DEFL (in)		
SM5-100-A	4.5	.04	9.6	.10	25.0	.27	46.0	.45	100	92
SM5-120-A	2.0	.04	4.0	.10	12.5	.37	25.0	.65	44	35
SM5-145-A	1.0	.04	2.0	.10	8.0	.50	18.0	.90	21	16

45° COMPRESSION/ROLL



PART NO.	①		②		③		④		K _v (VIBE) (lbs/in)	K _s (SHOCK) (lbs/in)
	LOAD (lbs)	DEFL (in)	LOAD (lbs)	DEFL (in)	LOAD (lbs)	DEFL (in)	LOAD (lbs)	DEFL (in)		
SM5-100-A	7.0	.04	14.0	.10	31.0	.36	47.0	.63	150	86
SM5-120-A	3.5	.04	7.0	.10	19.0	.50	25.0	.90	75	40
SM5-145-A	1.5	.04	3.0	.10	12.0	.67	16.0	1.25	32	18

TOLL FREE : 888-ISOLATOR
FAX : (631) 491-5672
WEB SITE : www.isolator.com
E-MAIL : sales@isolator.com
CAGE : 07QQ7

