

PART NUMBER	DIMENSIONS, in.			ISOLATOR WEIGHT
	H ±.03	Wf (REF)	Wd (REF)	
SM4 - 090 - A	0.90 (22.9)	1.25 (31.8)	1.65 (41.9)	.54oz (15.4gms)
SM4 - 100 - A	1.00 (25.4)	1.35 (34.3)	1.80 (45.7)	.58oz (16.5gms)
SM4 - 110 - A	1.10 (27.9)	1.50 (38.1)	1.95 (49.5)	.62oz (17.6gms)

FEATURES:

- ALL METAL CONSTRUCTION
- UNEQUALLED TEMP. RANGE: -200°F TO 500°F
- THREE AXIS CAPABILITY
- MAINTENANCE FREE
- FAIL SAFE DESIGN
- HIGH DAMPING: C/Cc ≈ .20
- EXCEPTIONAL RELIABILITY

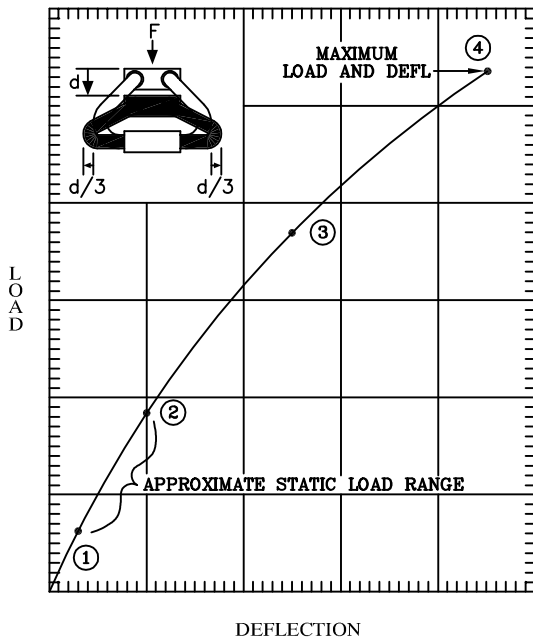
MATERIALS/FINISHES:

- CABLE: 300 SERIES SS PER MIL-W-83420 OR RR-W-410
- INSERTS: 300 SERIES SS PER NAS1130-08-10
- RETAINER BARS: 6063-T52 ALUM ALLOY/CHEM FILM IAW MIL-C-5541, CLASS 1A.

NOTES:

- 1) ALL DIMENSIONS IN PARENTHESIS ARE METRIC (mm).
- 2) SPECIALS AVAILABLE UPON REQUEST (MATERIALS, SIZE, MOUNTING HOLES, FINISH, ETC...)

COMPRESSION

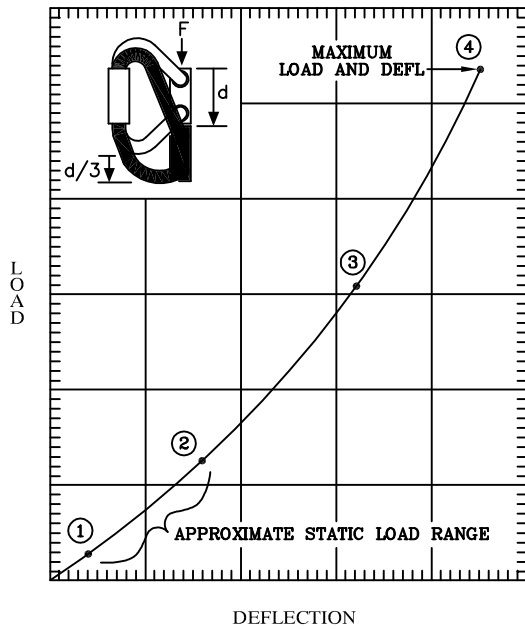


PART NO.	①		②		③		④		K _v (VIBE) (lbs/in)	K _s (SHOCK) (lbs/in)
	LOAD (lbs)	DEFL (in)	LOAD (lbs)	DEFL (in)	LOAD (lbs)	DEFL (in)	LOAD (lbs)	DEFL (in)		
SM4-090-A	5.3	.04	10.5	.10	18.5	.23	25.0	.36	113	80
SM4-100-A	3.0	.04	6.3	.10	13.0	.28	17.3	.46	67	46
SM4-110-A	1.7	.04	4.0	.10	10.3	.33	14.2	.56	41	31



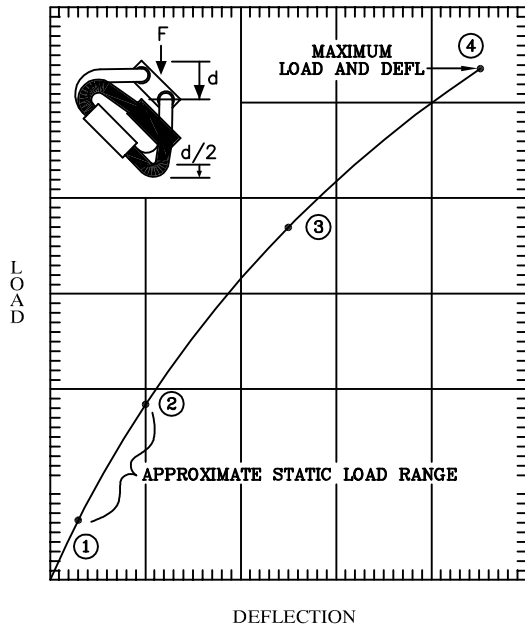
PERFORMANCE DATA • **SM4 SERIES** • 1/8" DIAMETER CABLE
SHOCK & VIBRATION ISOLATORS

ROLL



PART NO.	①		②		③		④		K _v (VIBE) (lbs/in)	K _s (SHOCK) (lbs/in)
	LOAD (lbs)	DEFL (in)	LOAD (lbs)	DEFL (in)	LOAD (lbs)	DEFL (in)	LOAD (lbs)	DEFL (in)		
SM4-090-A	2.1	.04	4.8	.10	12.0	.23	20.0	.36	49	52
SM4-100-A	1.2	.04	2.8	.10	8.0	.28	14.0	.46	28	30
SM4-110-A	.8	.04	1.9	.10	6.5	.33	13.0	.56	19	21

45° COMPRESSION/ROLL



PART NO.	①		②		③		④		K _v (VIBE) (lbs/in)	K _s (SHOCK) (lbs/in)
	LOAD (lbs)	DEFL (in)	LOAD (lbs)	DEFL (in)	LOAD (lbs)	DEFL (in)	LOAD (lbs)	DEFL (in)		
SM4-090-A	3.7	.04	7.3	.10	15.0	.30	21.0	.50	78	50
SM4-100-A	2.2	.04	4.5	.10	10.8	.37	15.0	.64	48	29
SM4-110-A	1.3	.04	3.0	.10	8.4	.44	12.0	.78	31	19

TOLL FREE : 888-ISOLATOR
FAX : (631) 491-5672
WEB SITE : www.isolator.com
E-MAIL : sales@isolator.com
CAGE : 070Q7

