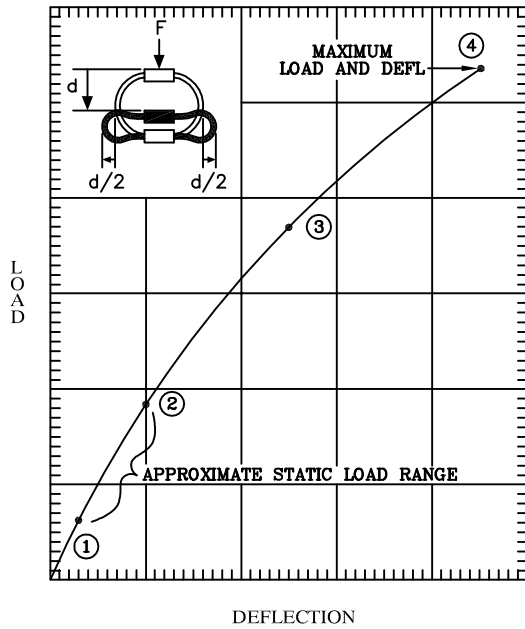
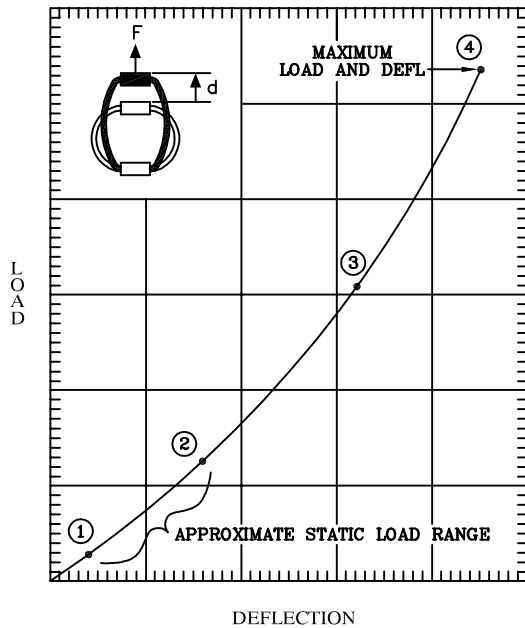


COMPRESSION



PART NO.	①		②		③		④		K _v (VIBE) (lbs/in)	K _s (SHOCK) (lbs/in)
	LOAD (lbs)	DEFL (in)	LOAD (lbs)	DEFL (in)	LOAD (lbs)	DEFL (in)	LOAD (lbs)	DEFL (in)		
SB8-190-04	38	.05	68	.10	205	.40	325	.80	750	513
SB8-210-04	30	.05	55	.10	185	.50	265	1.00	600	370
SB8-230-04	20	.05	35	.10	138	.60	210	1.20	400	230
SB8-240-04	15	.05	23	.10	125	.70	190	1.40	300	180
SB8-250-04	11	.05	20	.10	90	.70	150	1.40	220	130
SB8-260-04	9	.05	15	.10	80	.80	133	1.60	170	100
SB8-270-04	7	.05	12	.10	70	.80	115	1.60	130	88
SB8-320-04	5	.05	9	.10	60	1.00	103	2.00	100	60

TENSION

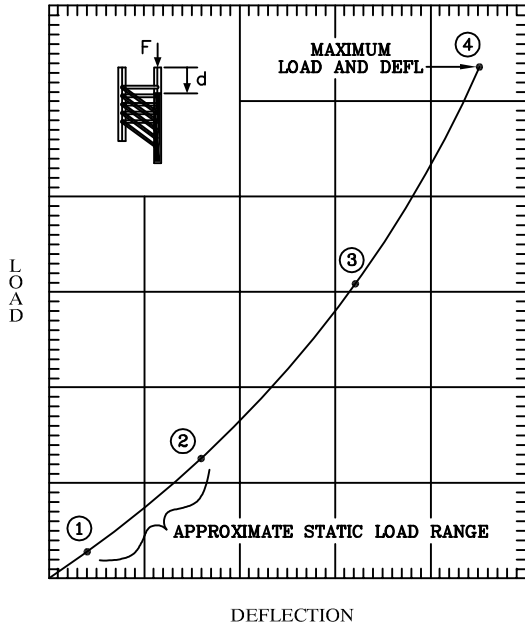


PART NO.	①		②		③		④		K _v (VIBE) (lbs/in)	K _s (SHOCK) (lbs/in)
	LOAD (lbs)	DEFL (in)	LOAD (lbs)	DEFL (in)	LOAD (lbs)	DEFL (in)	LOAD (lbs)	DEFL (in)		
SB8-190-04	42	.05	95	.10	245	.20	615	.40	830	1225
SB8-210-04	33	.05	78	.10	223	.25	555	.50	660	890
SB8-230-04	22	.05	50	.10	165	.30	413	.60	440	550
SB8-240-04	17	.05	39	.10	150	.35	375	.70	330	430
SB8-250-04	12	.05	28	.10	108	.35	270	.70	240	305
SB8-260-04	10	.05	21	.10	95	.40	240	.80	190	238
SB8-270-04	8	.05	17	.10	85	.40	210	.80	150	213
SB8-320-04	6	.05	13	.10	73	.50	180	1.00	110	145

ULTIMATE BREAKING STRENGTH ≈ 4k lbs

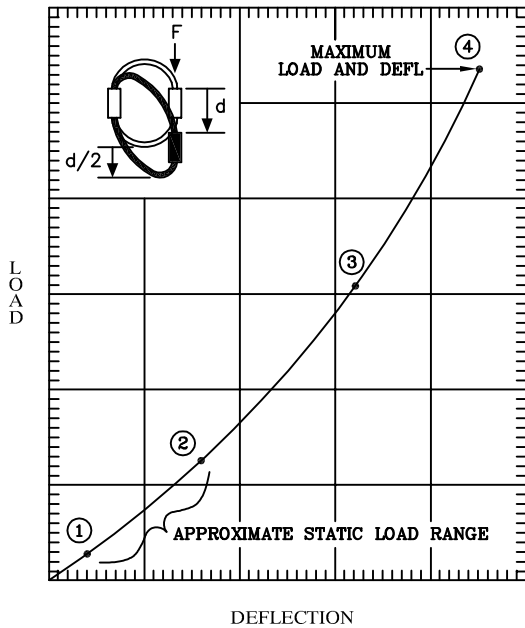


SHEAR



PART NO.	①		②		③		④		K _v (VIBE) (lbs/in)	K _s (SHOCK) (lbs/in)
	LOAD (lbs)	DEFL. (in)	LOAD (lbs)	DEFL. (in)	LOAD (lbs)	DEFL. (in)	LOAD (lbs)	DEFL. (in)		
SB8-190-04	9.5	.05	23	.10	83	.40	260	.80	190	208
SB8-210-04	7.5	.05	19	.10	75	.50	213	1.00	150	160
SB8-230-04	5.0	.05	12	.10	55	.60	168	1.20	100	105
SB8-240-04	3.8	.05	9.0	.10	50	.70	153	1.40	75	80
SB8-250-04	2.8	.05	7.0	.10	36	.70	120	1.40	55	60
SB8-260-04	2.2	.05	5.0	.10	32	.80	105	1.60	43	45
SB8-270-04	1.8	.05	4.0	.10	28	.80	93	1.60	33	35
SB8-320-04	1.3	.05	3.0	.10	24	1.00	83	2.00	25	28

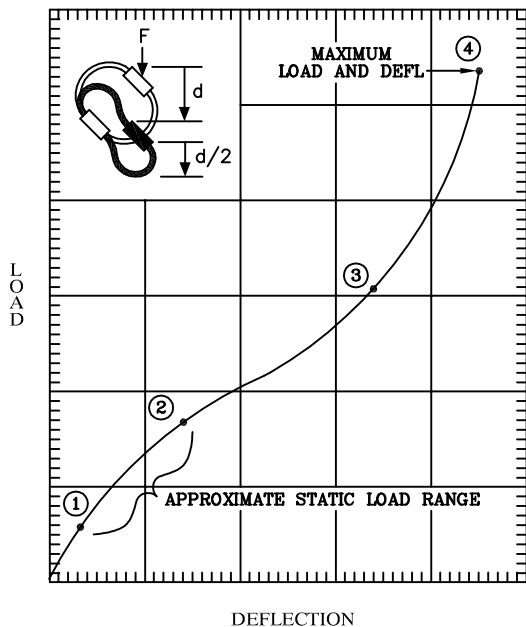
ROLL



PART NO.	①		②		③		④		K _v (VIBE) (lbs/in)	K _s (SHOCK) (lbs/in)
	LOAD (lbs)	DEFL. (in)	LOAD (lbs)	DEFL. (in)	LOAD (lbs)	DEFL. (in)	LOAD (lbs)	DEFL. (in)		
SB8-190-04	9.5	.05	23	.10	83	.40	260	.80	190	208
SB8-210-04	7.5	.05	19	.10	75	.50	213	1.00	150	160
SB8-230-04	5.0	.05	12	.10	55	.60	168	1.20	100	105
SB8-240-04	3.8	.05	9.0	.10	50	.70	153	1.40	75	80
SB8-250-04	2.8	.05	7.0	.10	36	.70	120	1.40	55	60
SB8-260-04	2.2	.05	5.0	.10	32	.80	105	1.60	43	45
SB8-270-04	1.8	.05	4.0	.10	28	.80	93	1.60	33	35
SB8-320-04	1.3	.05	3.0	.10	24	1.00	83	2.00	25	28

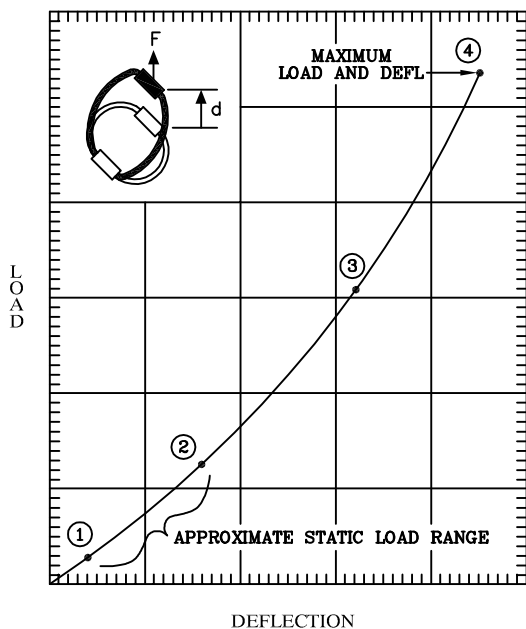


45° COMPRESSION/ROLL



PART NO.	①		②		③		④		K _v (VIBE) (lbs/in)	K _s (SHOCK) (lbs/in)
	LOAD (lbs)	DEFL (in)	LOAD (lbs)	DEFL (in)	LOAD (lbs)	DEFL (in)	LOAD (lbs)	DEFL (in)		
SB8-190-04	24	.05	45	.10	163	.80	205	1.12	480	205
SB8-210-04	19	.05	36	.10	133	1.00	165	1.40	380	133
SB8-230-04	13	.05	23	.10	105	1.20	133	1.70	250	88
SB8-240-04	10	.05	18	.10	95	1.40	120	2.00	200	70
SB8-250-04	7.0	.05	13	.10	75	1.40	95	2.00	140	55
SB8-260-04	5.0	.05	9.0	.10	65	1.60	83	2.25	100	43
SB8-270-04	4.0	.05	7.0	.10	58	1.60	73	2.25	80	38
SB8-320-04	3.0	.05	5.5	.10	53	2.00	65	2.80	60	28

45° TENSION/ROLL



PART NO.	①		②		③		④		K _v (VIBE) (lbs/in)	K _s (SHOCK) (lbs/in)
	LOAD (lbs)	DEFL (in)	LOAD (lbs)	DEFL (in)	LOAD (lbs)	DEFL (in)	LOAD (lbs)	DEFL (in)		
SB8-190-04	27	.05	60	.10	205	.28	513	.56	530	730
SB8-210-04	21	.05	48	.10	195	.35	488	.70	420	560
SB8-230-04	14	.05	33	.10	163	.42	413	.84	280	388
SB8-240-04	11	.05	24	.10	145	.50	363	1.00	220	290
SB8-250-04	8.0	.05	18	.10	105	.50	263	1.00	160	210
SB8-260-04	5.5	.05	13	.10	88	.56	220	1.12	110	158
SB8-270-04	4.5	.05	10.5	.10	70	.56	175	1.12	90	125
SB8-320-04	3.5	.05	8.0	.10	65	.70	163	1.40	70	93

TOLL FREE : 888-ISOLATOR
 FAX : (631) 491-5672
 WEB SITE : www.isolator.com
 E-MAIL : sales@isolator.com
 CAGE : 07QQ7

