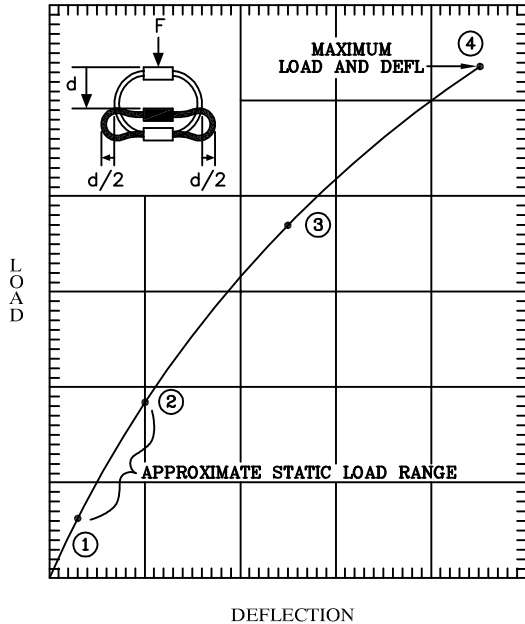
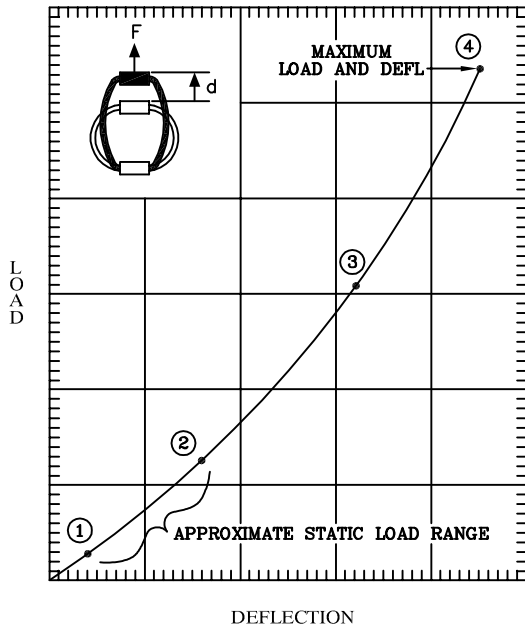


**COMPRESSION**



PART NO.	①		②		③		④		K <sub>v</sub> (VIBE) (lbs/in)	K <sub>s</sub> (SHOCK) (lbs/in)
	LOAD (lbs)	DEFL (in)	LOAD (lbs)	DEFL (in)	LOAD (lbs)	DEFL (in)	LOAD (lbs)	DEFL (in)		
SB6A-200-05	15	.05	27.3	.10	95.5	.55	141	1.10	300	175
SB6A-206-05	10	.05	18.2	.10	77.3	.60	123	1.20	200	130
SB6A-213-05	7.3	.05	13.6	.10	59	.65	100	1.30	145	91
SB6A-219-05	5.0	.05	9.5	.10	50	.70	89	1.40	100	73
SB6A-245-05	3.6	.05	2.3	.10	38.6	.80	68	1.60	73	48
SB6A-320-05	2.3	.05	4.1	.10	27.3	1.10	50	2.20	45	25

**TENSION**



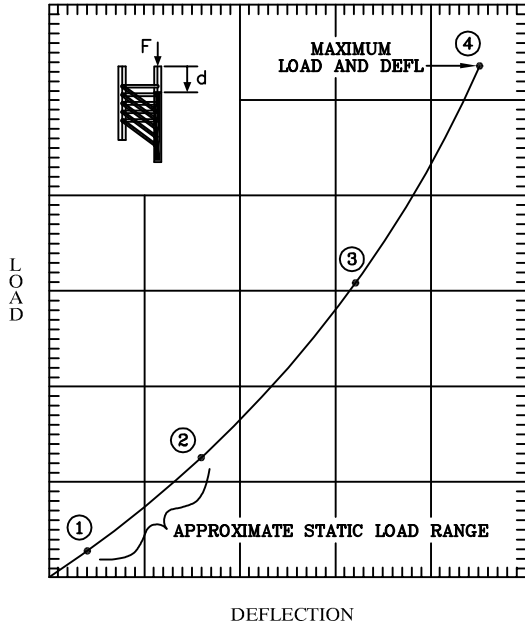
PART NO.	①		②		③		④		K <sub>v</sub> (VIBE) (lbs/in)	K <sub>s</sub> (SHOCK) (lbs/in)
	LOAD (lbs)	DEFL (in)	LOAD (lbs)	DEFL (in)	LOAD (lbs)	DEFL (in)	LOAD (lbs)	DEFL (in)		
SB6A-200-05	16.4	.05	38.6	.10	113.6	.28	286	.55	327	405
SB6A-206-05	11.4	.05	25	.10	93.2	.30	232	.60	227	309
SB6A-213-05	8.2	.05	19	.10	70.4	.33	177	.65	164	214
SB6A-219-05	5.5	.05	13.6	.10	59	.35	150	.70	109	168
SB6A-245-05	4.1	.05	9.5	.10	45	.40	116	.80	82	114
SB6A-320-05	2.5	.05	5.9	.10	34	.55	82	1.10	50	59

ULTIMATE BREAKING STRENGTH ≈ 6k lbs

TOLL FREE : 888-ISOLATOR  
 FAX : (631) 491-5672  
 WEB SITE : www.isolator.com  
 E-MAIL : sales@isolator.com  
 CAGE : 07QQ7

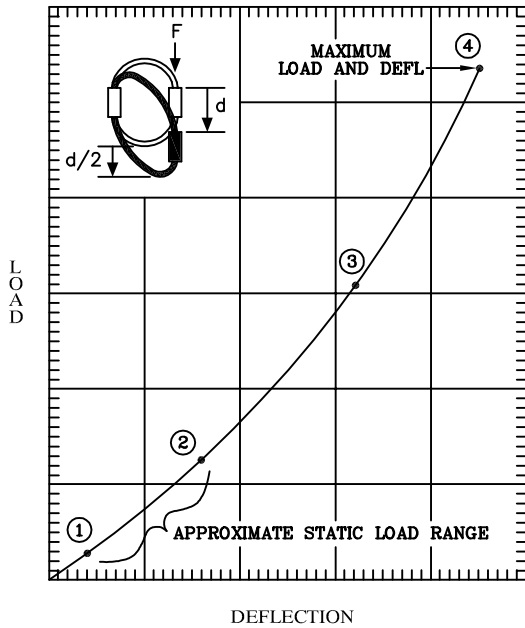


**SHEAR**



PART NO.	①		②		③		④		K <sub>v</sub> (VIBE) (lbs/in)	K <sub>s</sub> (SHOCK) (lbs/in)
	LOAD (lbs)	DEFL (in)	LOAD (lbs)	DEFL (in)	LOAD (lbs)	DEFL (in)	LOAD (lbs)	DEFL (in)		
SB6A-200-05	3.6	.05	9.1	.10	38.2	.55	114	1.10	73	70
SB6A-206-05	2.5	.05	5.9	.10	30.9	.60	98	1.20	50	50
SB6A-213-05	1.8	.05	4.5	.10	23.6	.65	80	1.30	36	36
SB6A-219-05	1.3	.05	3.2	.10	20	.70	70	1.40	25	29
SB6A-245-05	.91	.05	2.3	.10	15.5	.80	55	1.60	18	20
SB6A-320-05	.55	.05	1.4	.10	10.9	1.10	41	2.20	11	11

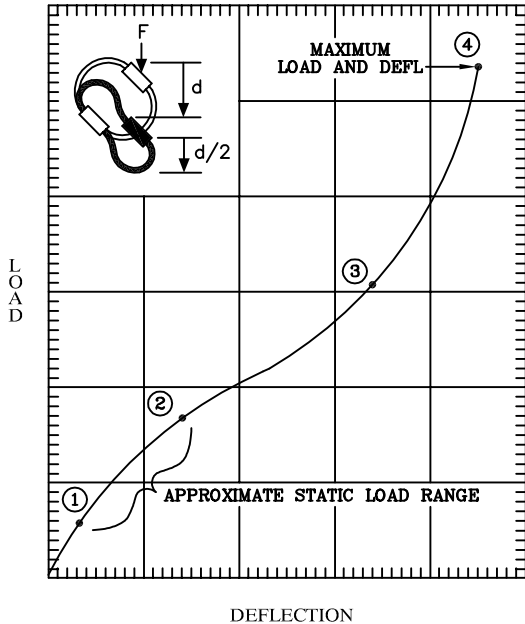
**ROLL**



PART NO.	①		②		③		④		K <sub>v</sub> (VIBE) (lbs/in)	K <sub>s</sub> (SHOCK) (lbs/in)
	LOAD (lbs)	DEFL (in)	LOAD (lbs)	DEFL (in)	LOAD (lbs)	DEFL (in)	LOAD (lbs)	DEFL (in)		
SB6A-200-05	3.6	.05	9.1	.10	38.2	.55	114	1.10	73	70
SB6A-206-05	2.5	.05	5.9	.10	30.9	.60	98	1.20	50	50
SB6A-213-05	1.8	.05	4.5	.10	23.6	.65	80	1.30	36	36
SB6A-219-05	1.3	.05	3.2	.10	20	.70	70	1.40	25	29
SB6A-245-05	.91	.05	2.3	.10	15.5	.80	55	1.60	18	20
SB6A-320-05	.55	.05	1.4	.10	10.9	1.10	41	2.20	11	11

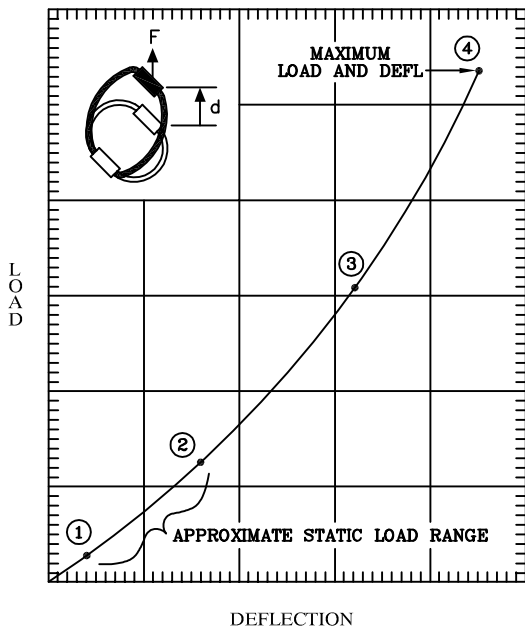


**45° COMPRESSION/ROLL**



PART NO.	①		②		③		④		K <sub>v</sub> (VIBE) (lbs/in)	K <sub>s</sub> (SHOCK) (lbs/in)
	LOAD (lbs)	DEFL (in)	LOAD (lbs)	DEFL (in)	LOAD (lbs)	DEFL (in)	LOAD (lbs)	DEFL (in)		
SB6A-200-05	9.1	.05	17.3	.10	70.4	1.10	88.6	1.55	182	68
SB6A-206-05	6.4	.05	11.8	.10	61.4	1.20	77.3	1.70	127	52
SB6A-213-05	.45	.05	8.2	.10	50	1.30	63.6	1.80	91	39
SB6A-219-05	3.2	.05	5.9	.10	43.2	1.40	54.5	2.00	64	32
SB6A-245-05	2.3	.05	4.1	.10	34.1	1.60	43.2	2.25	45	23
SB6A-320-05	1.5	.05	2.5	.10	25	2.20	31.8	3.00	30	11

**45° TENSION/ROLL**



PART NO.	①		②		③		④		K <sub>v</sub> (VIBE) (lbs/in)	K <sub>s</sub> (SHOCK) (lbs/in)
	LOAD (lbs)	DEFL (in)	LOAD (lbs)	DEFL (in)	LOAD (lbs)	DEFL (in)	LOAD (lbs)	DEFL (in)		
SB6A-200-05	10	.05	21.8	.10	97.7	.38	250	.75	200	259
SB6A-206-05	7.3	.05	16.4	.10	81.8	.42	205	.85	145	195
SB6A-213-05	5.0	.05	11.4	.10	61.4	.45	152	.90	100	136
SB6A-219-05	3.4	.05	8.2	.10	50	.50	125	1.00	68	100
SB6A-245-05	2.5	.05	5.9	.10	38.6	.56	100	1.12	50	68
SB6A-320-05	1.8	.05	4.1	.10	36.4	.78	91	1.55	36	48

TOLL FREE : 888-ISOLATOR  
 FAX : (631) 491-5672  
 WEB SITE : www.isolator.com  
 E-MAIL : sales@isolator.com  
 CAGE : 07QQ7

