

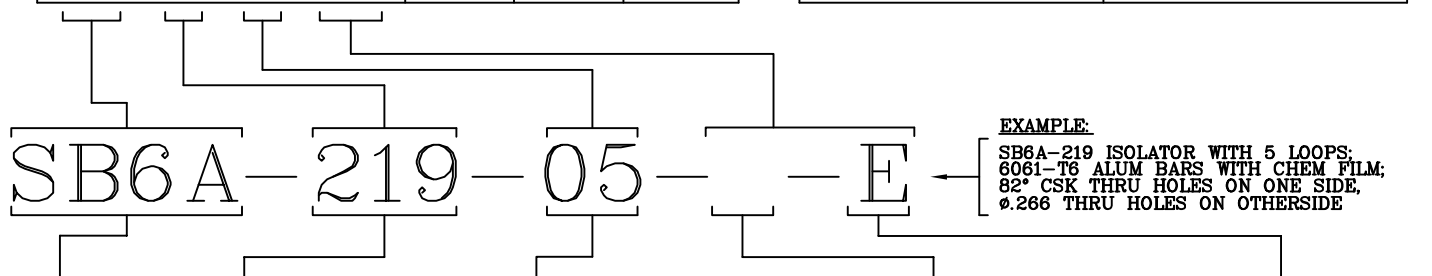
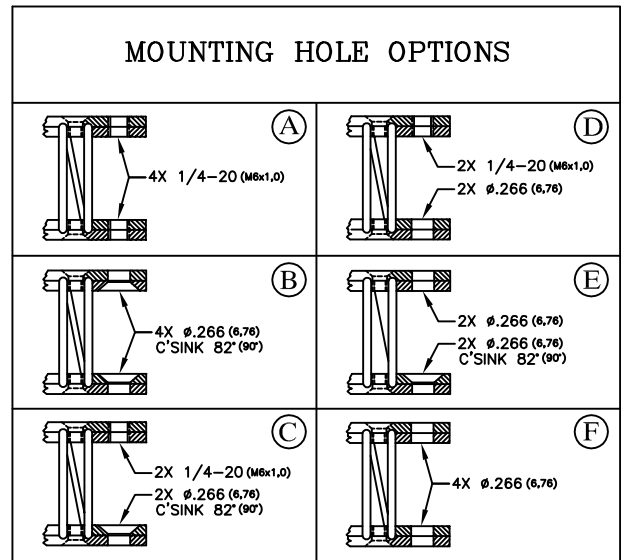
FEATURES:

- RUGGED ALL METAL CONSTRUCTION
- UNEQUALLED TEMP. RANGE: -200°F TO 500°F
- THREE AXIS CAPABILITY
- MAINTENANCE FREE
- FAIL SAFE DESIGN
- HIGH DAMPING: C/Cc ≈ .20
- EXCEPTIONAL RELIABILITY AND LONG LIFE

MATERIALS/FINISHES:

- CABLE: 300 SERIES SS PER MIL-W-83420 OR RR-W-410
- SCREWS: 300 SERIES SS PER MS51959-28
- INSERTS: 300 SERIES SS (ALUM BARS ONLY)
- RETAINER BARS: SEE BELOW

PART NUMBER	DIMENSIONS, in.		ISOLATOR WEIGHT (SEE NOTE 3)
	H ±.03	W (REF)	
SB6A - 200 - 05 - []	2.00 (50,8)	2.28 (57,9)	.30lbs (.14kg)
SB6A - 206 - 05 - []	2.06 (52,3)	2.50 (63,5)	.32lbs (.15kg)
SB6A - 213 - 05 - []	2.13 (54,1)	2.94 (74,7)	.35lbs (.16kg)
SB6A - 219 - 05 - []	2.19 (55,6)	3.19 (81,0)	.36lbs (.16kg)
SB6A - 245 - 05 - []	2.45 (62,2)	3.45 (87,6)	.38lbs (.17kg)
SB6A - 320 - 05 - []	3.20 (81,3)	4.20 (106,7)	.45lbs (.21kg)



EXAMPLE:

SB6A-219 ISOLATOR WITH 5 LOOPS.
6061-T6 ALUM BARS WITH CHEM FILM,
82° CSK THRU HOLES ON ONE SIDE,
Ø.266 THRU HOLES ON OTHERSIDE

SERIES	MODEL SIZE	NO. OF CABLE LOOPS	BAR MATERIAL/FINISH	MOUNTING HOLES
• CABLE DIAMETER IN 32NDS	• BASED ON ISOLATOR HEIGHT	• 5 LOOPS STANDARD FOR THE SB6A SERIES. • ISOLATOR SPRING RATES ARE DIRECTLY PROPORTIONAL TO NO. OF CABLE LOOPS.	• [] = 6061-T6 ALUM ALLOY/CHEM FILM IAW MIL-DTL-5541, TYPE II, CL 3. • [H] = 6061-T6 ALUM ALLOY/ANODIZED IAW MIL-A-8625, TYPE II CLASS 1. • [S] = 300 SERIES SS/PASSIVATED IAW QQ-P-35C, TYPE II.	• SEE MOUNTING HOLE OPTIONS ABOVE. • ADD 'M' TO END OF P/N FOR METRIC MOUNTING HOLES. • ADD 'L' TO END OF P/N FOR LOCKING INSERTS.

NOTES:

- 1) ALL DIMENSIONS IN PARENTHESIS ARE METRIC (mm).
- 2) SPECIALS AVAILABLE UPON REQUEST (MATERIALS, SIZE, MOUNTING HOLES, FINISH, ETC...)
- 3) ADD .19lbs (.09kg) TO ISOLATOR WEIGHT FOR ALL-STAINLESS STEEL VERSIONS.

TOLL FREE : 888-ISOLATOR
FAX : (631) 491-5672
WEB SITE : www.isolator.com
E-MAIL : sales@isolator.com
CAGE : 07QQ7

