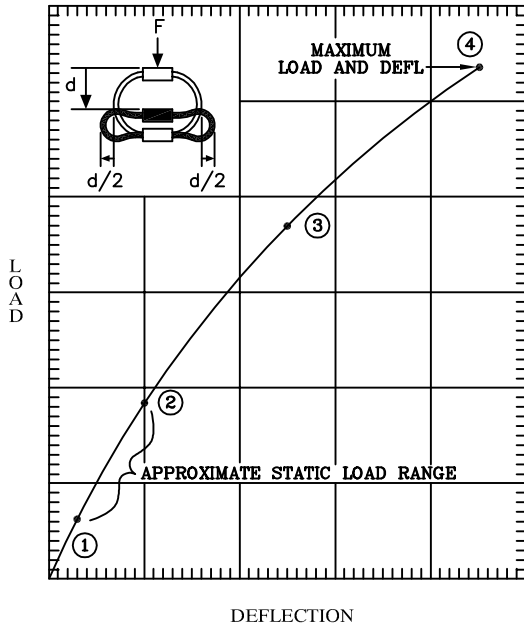
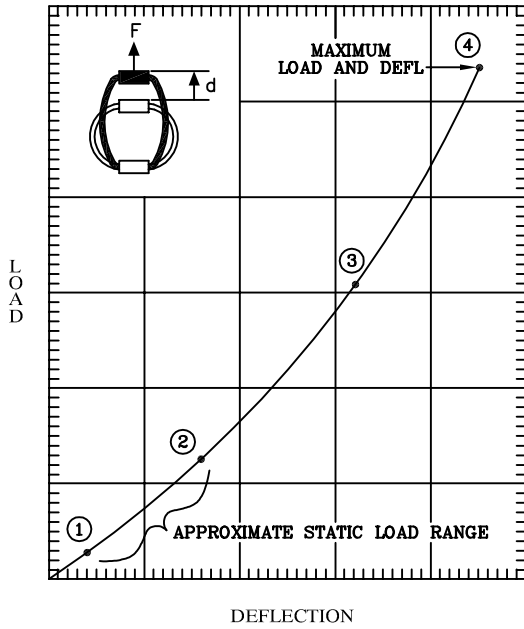


**COMPRESSION**



PART NO.	①		②		③		④		K <sub>v</sub> (VIBE) (lbs/in)	K <sub>s</sub> (SHOCK) (lbs/in)
	LOAD (lbs)	DEFL (in)	LOAD (lbs)	DEFL (in)	LOAD (lbs)	DEFL (in)	LOAD (lbs)	DEFL (in)		
SB6-120-04	84	.05	148	.10	232	.18	300	.35	1680	1280
SB6-130-04	64	.05	112	.10	188	.22	244	.45	1280	860
SB6-140-04	50	.05	86	.10	176	.28	232	.55	1000	630
SB6-150-04	38	.05	64	.10	144	.35	196	.70	760	410
SB6-160-04	28	.05	48	.10	140	.40	184	.80	560	350
SB6-170-04	22	.05	40	.10	120	.45	168	.90	440	270

**TENSION**



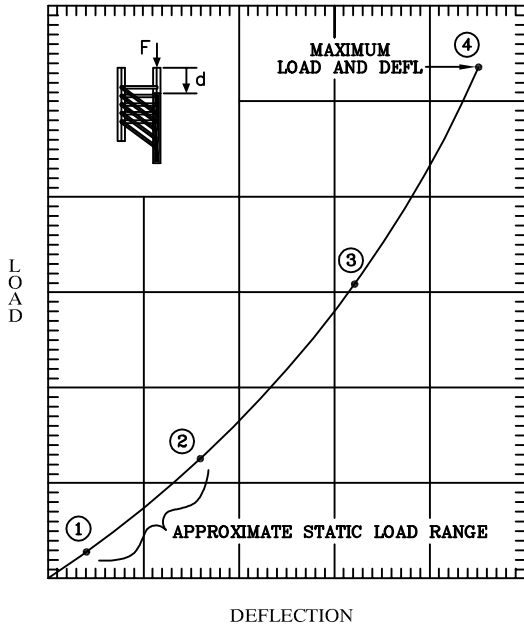
PART NO.	①		②		③		④		K <sub>v</sub> (VIBE) (lbs/in)	K <sub>s</sub> (SHOCK) (lbs/in)
	LOAD (lbs)	DEFL (in)	LOAD (lbs)	DEFL (in)	LOAD (lbs)	DEFL (in)	LOAD (lbs)	DEFL (in)		
SB6-120-04	92	.05	208	.10	380	.15	696	.20	1840	2532
SB6-130-04	72	.05	156	.10	280	.15	560	.25	1440	1868
SB6-140-04	56	.05	120	.10	212	.15	528	.30	1120	1412
SB6-150-04	42	.05	90	.10	176	.18	432	.35	840	968
SB6-160-04	30	.05	68	.10	168	.20	420	.40	600	840
SB6-170-04	24	.05	56	.10	144	.23	360	.45	480	628

ULTIMATE BREAKING STRENGTH ≈ 3k lbs

TOLL FREE : 888-ISOLATOR  
 FAX : (631) 491-5672  
 WEB SITE : www.isolator.com  
 E-MAIL : sales@isolator.com  
 CAGE : 070Q7

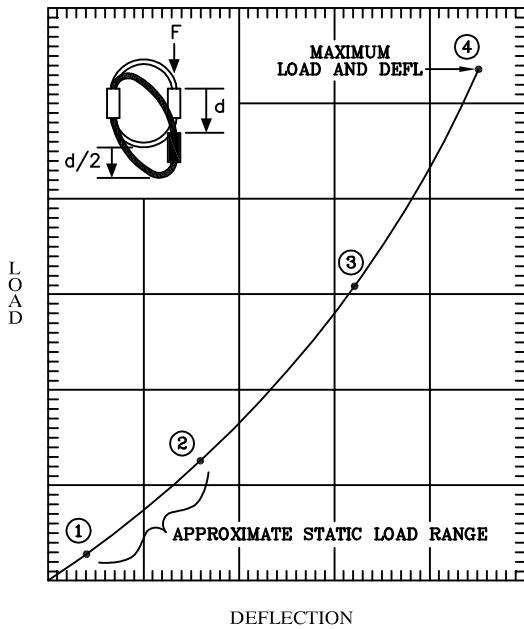


**SHEAR**



PART NO.	①		②		③		④		K <sub>v</sub> (VIBE) (lbs/in)	K <sub>s</sub> (SHOCK) (lbs/in)
	LOAD (lbs)	DEFL. (in)	LOAD (lbs)	DEFL. (in)	LOAD (lbs)	DEFL. (in)	LOAD (lbs)	DEFL. (in)		
SB6-120-04	21	.05	49	.10	92	.18	250	.35	416	512
SB6-130-04	16	.05	37	.10	76	.22	196	.45	320	348
SB6-140-04	12	.05	29	.10	70	.28	186	.55	248	256
SB6-150-04	10	.05	21	.10	58	.35	156	.70	192	200
SB6-160-04	7	.05	16	.10	56	.40	148	.80	136	144
SB6-170-04	6	.05	13	.10	48	.45	134	.90	112	120

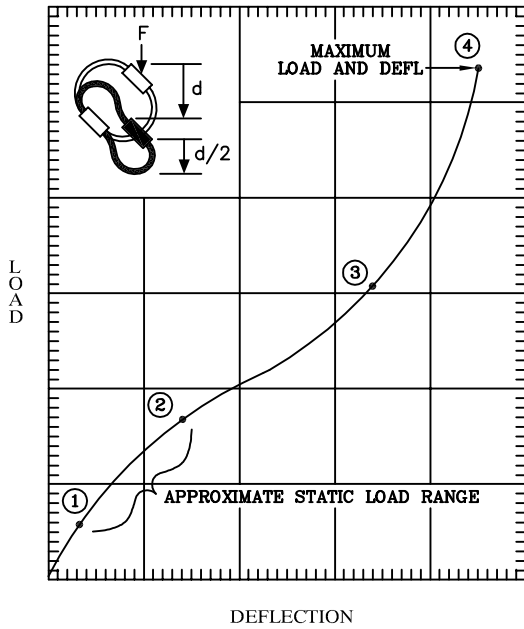
**ROLL**



PART NO.	①		②		③		④		K <sub>v</sub> (VIBE) (lbs/in)	K <sub>s</sub> (SHOCK) (lbs/in)
	LOAD (lbs)	DEFL. (in)	LOAD (lbs)	DEFL. (in)	LOAD (lbs)	DEFL. (in)	LOAD (lbs)	DEFL. (in)		
SB6-120-04	21	.05	49	.10	92	.18	250	.35	416	512
SB6-130-04	16	.05	37	.10	76	.22	196	.45	320	348
SB6-140-04	12	.05	29	.10	70	.28	186	.55	248	256
SB6-150-04	10	.05	21	.10	58	.35	156	.70	192	200
SB6-160-04	7	.05	16	.10	56	.40	148	.80	136	144
SB6-170-04	6	.05	13	.10	48	.45	134	.90	112	120

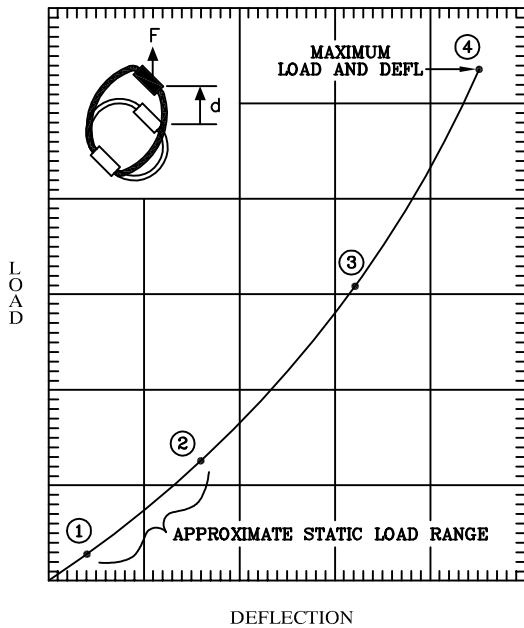


**45° COMPRESSION/ROLL**



PART NO.	①		②		③		④		K <sub>v</sub> (VIBE) (lbs/in)	K <sub>s</sub> (SHOCK) (lbs/in)
	LOAD (lbs)	DEFL (in)	LOAD (lbs)	DEFL (in)	LOAD (lbs)	DEFL (in)	LOAD (lbs)	DEFL (in)		
SB6-120-04	52	.05	98	.10	150	.35	188	.50	1040	428
SB6-130-04	40	.05	74	.10	122	.45	152	.65	800	272
SB6-140-04	31	.05	58	.10	116	.55	144	.77	624	216
SB6-150-04	24	.05	42	.10	98	.70	122	1.00	480	140
SB6-160-04	18	.05	32	.10	92	.80	114	1.12	352	120
SB6-170-04	14	.05	26	.10	84	.90	104	1.25	280	96

**45° TENSION/ROLL**



PART NO.	①		②		③		④		K <sub>v</sub> (VIBE) (lbs/in)	K <sub>s</sub> (SHOCK) (lbs/in)
	LOAD (lbs)	DEFL (in)	LOAD (lbs)	DEFL (in)	LOAD (lbs)	DEFL (in)	LOAD (lbs)	DEFL (in)		
SB6-120-04	58	.05	128	.10	256	.15	520	.30	1160	1700
SB6-130-04	44	.05	96	.10	192	.18	480	.36	880	1068
SB6-140-04	34	.05	76	.10	188	.21	460	.42	688	904
SB6-150-04	26	.05	56	.10	150	.25	360	.50	528	600
SB6-160-04	19	.05	42	.10	124	.28	320	.56	384	440
SB6-170-04	16	.05	36	.10	112	.32	300	.63	320	360

