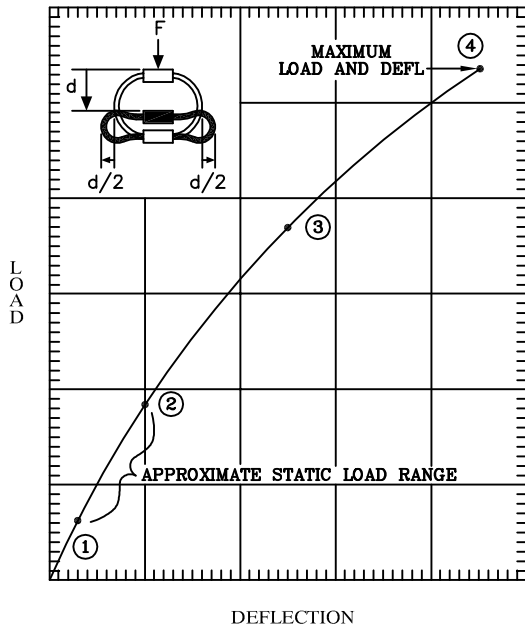
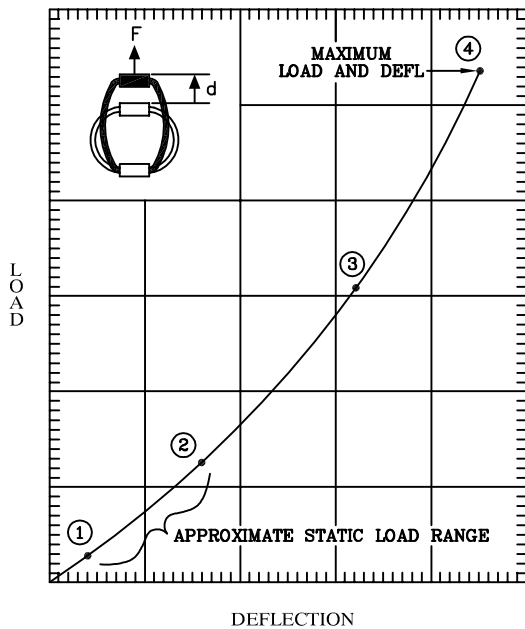


COMPRESSION



PART NO.	①		②		③		④		K _v (VIBE) (lbs/in)	K _s (SHOCK) (lbs/in)
	LOAD (lbs)	DEFL (in)	LOAD (lbs)	DEFL (in)	LOAD (lbs)	DEFL (in)	LOAD (lbs)	DEFL (in)		
SB5-110-04	50	.05	76	.10	108	.18	150	.35	1000	600
SB5-120-04	32	.05	50	.10	84	.22	116	.45	640	384
SB5-130-04	24.8	.05	44	.10	82	.28	114	.55	500	288
SB5-140-04	18	.05	34	.10	68	.35	96	.70	360	192
SB5-150-04	12.8	.05	24	.10	62	.40	92	.80	256	152
SB5-160-04	9.6	.05	17.6	.10	50	.45	72	.90	192	112

TENSION



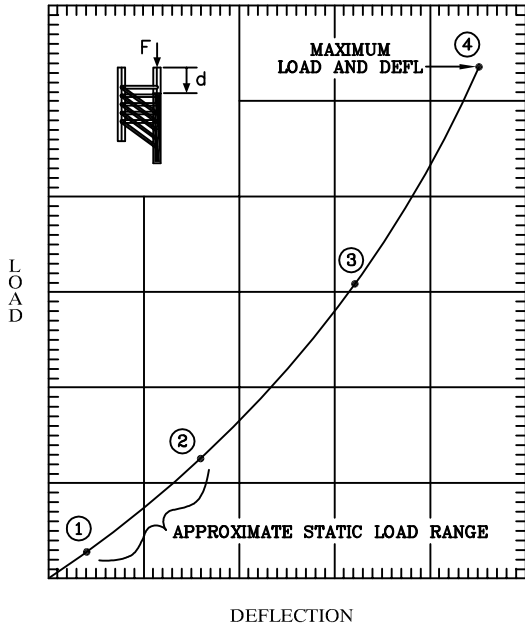
PART NO.	①		②		③		④		K _v (VIBE) (lbs/in)	K _s (SHOCK) (lbs/in)
	LOAD (lbs)	DEFL (in)	LOAD (lbs)	DEFL (in)	LOAD (lbs)	DEFL (in)	LOAD (lbs)	DEFL (in)		
SB5-110-04	56	.05	112	.10	188	.15	324	.20	1120	1256
SB5-120-04	35.2	.05	70	.10	120	.15	252	.25	700	800
SB5-130-04	27.2	.05	56	.10	98	.15	240	.30	540	648
SB5-140-04	20.8	.05	44	.10	86	.18	200	.35	416	480
SB5-150-04	14.4	.05	31.2	.10	76	.20	184	.40	288	376
SB5-160-04	10	.05	27.2	.10	60	.23	152	.45	208	264

ULTIMATE BREAKING STRENGTH ≈ 2.5k lbs

TOLL FREE : 888-ISOLATOR
 FAX : (631) 491-5672
 WEB SITE : www.isolator.com
 E-MAIL : sales@isolator.com
 CAGE : 07007

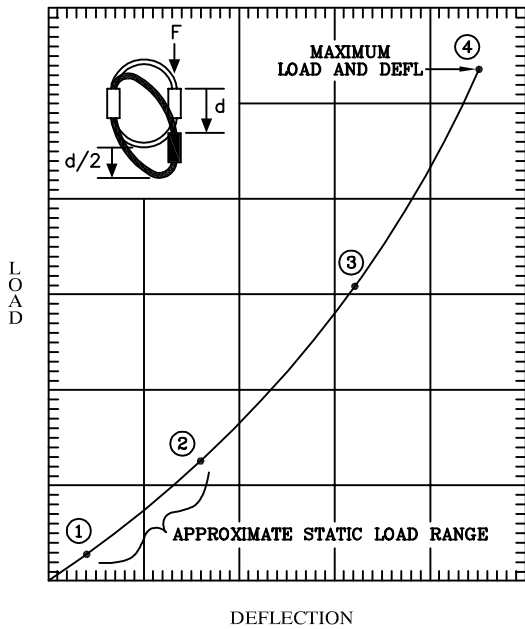


SHEAR



PART NO.	①		②		③		④		K _v (VIBE) (lbs/in)	K _s (SHOCK) (lbs/in)
	LOAD (lbs)	DEFL (in)	LOAD (lbs)	DEFL (in)	LOAD (lbs)	DEFL (in)	LOAD (lbs)	DEFL (in)		
SB5-110-04	12.8	.05	25.3	.10	43.2	.18	120	.35	240	240
SB5-120-04	8.0	.05	16.8	.10	33.6	.22	92	.45	160	160
SB5-130-04	6.4	.05	14.4	.10	32	.28	88	.55	128	128
SB5-140-04	4.8	.05	11.2	.10	27.2	.35	76	.70	96	96
SB5-150-04	3.2	.05	8.0	.10	24.8	.40	72	.80	64	64
SB5-160-04	2.4	.05	6.0	.10	20	.45	58	.90	48	48

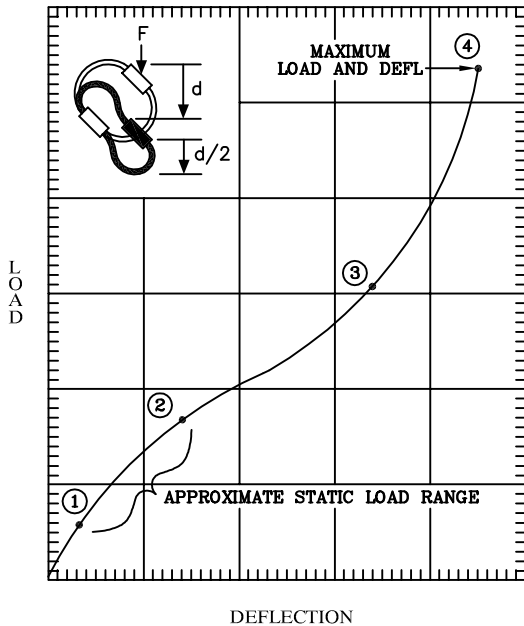
ROLL



PART NO.	①		②		③		④		K _v (VIBE) (lbs/in)	K _s (SHOCK) (lbs/in)
	LOAD (lbs)	DEFL (in)	LOAD (lbs)	DEFL (in)	LOAD (lbs)	DEFL (in)	LOAD (lbs)	DEFL (in)		
SB5-110-04	12.8	.05	25.3	.10	43.2	.18	120	.35	240	240
SB5-120-04	8.0	.05	16.8	.10	33.6	.22	92	.45	160	160
SB5-130-04	6.4	.05	14.4	.10	32	.28	88	.55	128	128
SB5-140-04	4.8	.05	11.2	.10	27.2	.35	76	.70	96	96
SB5-150-04	3.2	.05	8.0	.10	24.8	.40	72	.80	64	64
SB5-160-04	2.4	.05	6.0	.10	20	.45	58	.90	48	48

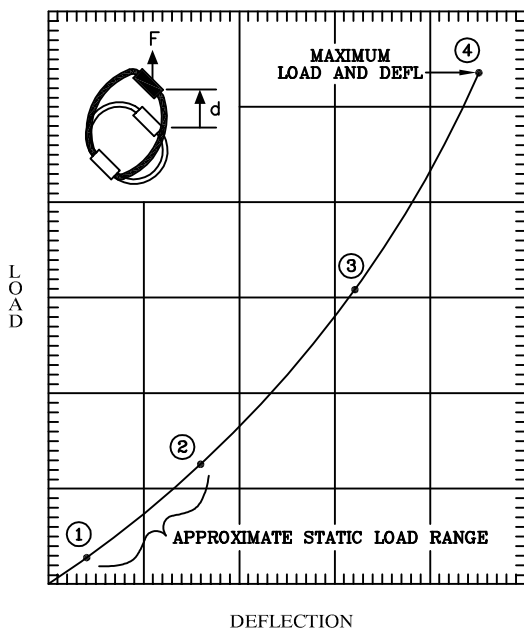


45° COMPRESSION/ROLL



PART NO.	①		②		③		④		K _v (VIBE) (lbs/in)	K _s (SHOCK) (lbs/in)
	LOAD (lbs)	DEFL (in)	LOAD (lbs)	DEFL (in)	LOAD (lbs)	DEFL (in)	LOAD (lbs)	DEFL (in)		
SB5-110-04	32	.05	51.2	.10	75.2	.35	94.4	.50	640	216
SB5-120-04	20	.05	33.6	.10	58.4	.45	72.8	.65	400	132
SB5-130-04	16	.05	28.8	.10	56	.55	68.8	.77	320	104
SB5-140-04	12	.05	22.4	.10	48	.70	60	1.00	240	72
SB5-150-04	8.0	.05	16	.10	44.8	.80	56	1.12	160	56
SB5-160-04	6.4	.05	11.2	.10	36	.90	44.8	1.25	128	40

45° TENSION/ROLL



PART NO.	①		②		③		④		K _v (VIBE) (lbs/in)	K _s (SHOCK) (lbs/in)
	LOAD (lbs)	DEFL (in)	LOAD (lbs)	DEFL (in)	LOAD (lbs)	DEFL (in)	LOAD (lbs)	DEFL (in)		
SB5-110-04	35.2	.05	72	.10	144	.15	336	.30	704	960
SB5-120-04	22.4	.05	46	.10	116	.18	260	.36	448	640
SB5-130-04	17.6	.05	36	.10	92	.21	212	.42	352	440
SB5-140-04	13.6	.05	28.8	.10	72	.25	180	.50	272	300
SB5-150-04	8.8	.05	19.2	.10	56	.28	144	.56	176	200
SB5-160-04	7.2	.05	16	.10	48	.32	120	.63	144	160

TOLL FREE : 888-ISOLATOR
 FAX : (631) 491-5672
 WEB SITE : www.isolator.com
 E-MAIL : sales@isolator.com
 CAGE : 07QQ7

