

FEATURES:

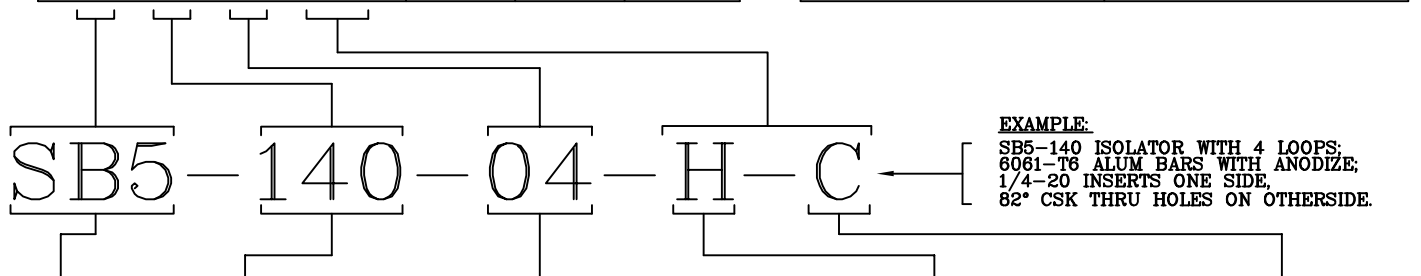
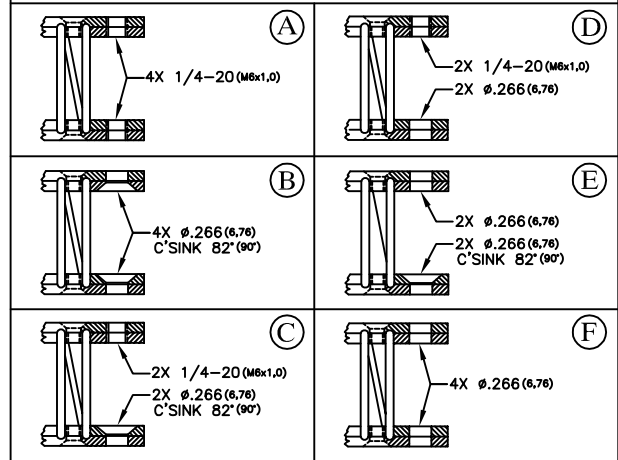
- RUGGED ALL METAL CONSTRUCTION
- UNEQUALLED TEMP. RANGE: -200°F TO 500°F
- THREE AXIS CAPABILITY
- MAINTENANCE FREE
- FAIL SAFE DESIGN
- HIGH DAMPING: C/Cc ≈ .20
- EXCEPTIONAL RELIABILITY AND LONG LIFE

MATERIALS/FINISHES:

- CABLE: 300 SERIES SS PER MIL-W-83420 OR RR-W-410
- SCREWS: 300 SERIES SS PER MS51959-42
- INSERTS: 300 SERIES SS (ALUM BARS ONLY)
- RETAINER BARS: SEE BELOW

PART NUMBER	DIMENSIONS, in.		ISOLATOR WEIGHT (SEE NOTE 3)
	H ±.03	W (REF)	
SB5 - 110 - 04 - []	1.10 (27.9)	1.40 (35.6)	.161bs (.08kg)
SB5 - 120 - 04 - []	1.20 (30.5)	1.50 (38.1)	.171bs (.08kg)
SB5 - 130 - 04 - []	1.30 (33.0)	1.60 (40.6)	.171bs (.08kg)
SB5 - 140 - 04 - []	1.40 (35.6)	1.70 (43.2)	.171bs (.08kg)
SB5 - 150 - 04 - []	1.50 (38.1)	1.80 (45.7)	.181bs (.09kg)
SB5 - 160 - 04 - []	1.60 (40.6)	1.90 (48.2)	.181bs (.09kg)

MOUNTING HOLE OPTIONS



EXAMPLE:

SB5-140 ISOLATOR WITH 4 LOOPS;
6061-T6 ALUM BARS WITH ANODIZE;
1/4-20 INSERTS ONE SIDE,
82° CSK THRU HOLES ON OTHERSIDE.

SERIES	MODEL SIZE	NO. OF CABLE LOOPS	BAR MATERIAL/FINISH	MOUNTING HOLES
--------	------------	--------------------	---------------------	----------------

- CABLE DIAMETER IN 32NDS
- BASED ON ISOLATOR HEIGHT
- 4 LOOPS STANDARD FOR THE SB5 SERIES.
- ISOLATOR SPRING RATES ARE DIRECTLY PROPORTIONAL TO NO. OF CABLE LOOPS.
- [] = 6061-T6 ALUM ALLOY/CHEM FILM IAW MIL-DTL-5541, TYPE II, CL 3.
- [H] = 6061-T6 ALUM ALLOY/ANODIZED IAW MIL-A-8625, TYPE II CLASS 1.
- [S] = 300 SERIES SS/PASSIVATED IAW QQ-P-35C, TYPE II.
- SEE MOUNTING HOLE OPTIONS ABOVE.
- ADD 'M' TO END OF P/N FOR METRIC MOUNTING HOLES.
- ADD 'L' TO END OF P/N FOR LOCKING INSERTS.

NOTES:

- 1) ALL DIMENSIONS IN PARENTHESIS ARE METRIC (mm).
- 2) SPECIALS AVAILABLE UPON REQUEST (MATERIALS, SIZE, MOUNTING HOLES, FINISH, ETC...)
- 3) ADD .121bs (.06kg) TO ISOLATOR WEIGHT FOR ALL-STAINLESS STEEL VERSIONS.

TOLL FREE : 888-ISOLATOR
FAX : (631) 491-5672
WEB SITE : www.isolator.com
E-MAIL : sales@isolator.com
CAGE : 07QQ7

