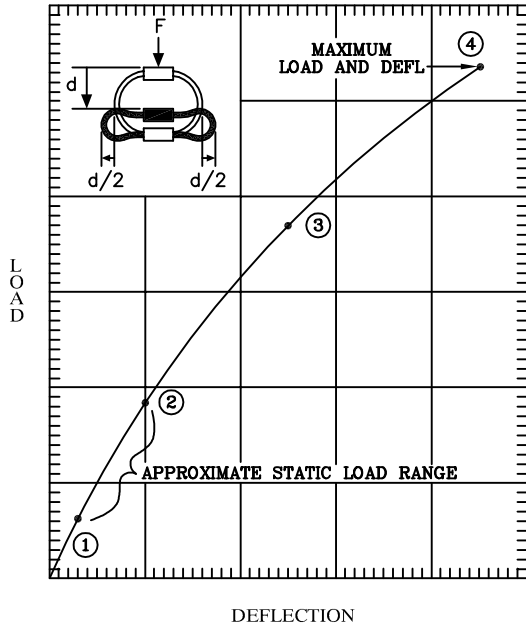
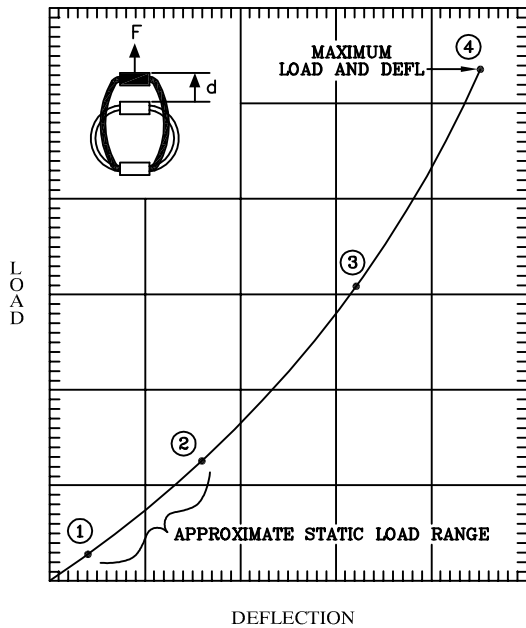


COMPRESSION



PART NO.	①		②		③		④		K _v (VIBE) (lbs/in)	K _s (SHOCK) (lbs/in)
	LOAD (lbs)	DEFL (in)	LOAD (lbs)	DEFL (in)	LOAD (lbs)	DEFL (in)	LOAD (lbs)	DEFL (in)		
SB4-110-04	25.2	.05	38.4	.10	54	.18	75.2	.35	504	300
SB4-120-04	16	.05	25.2	.10	42	.22	58	.45	320	192
SB4-130-04	12.4	.05	21.6	.10	40.8	.28	57.2	.55	248	144
SB4-140-04	9.2	.05	16.8	.10	33.6	.35	48	.70	184	96
SB4-150-04	6.4	.05	12	.10	31.2	.40	46	.80	128	76
SB4-160-04	4.8	.05	8.8	.10	25.2	.45	36	.90	96	56

TENSION

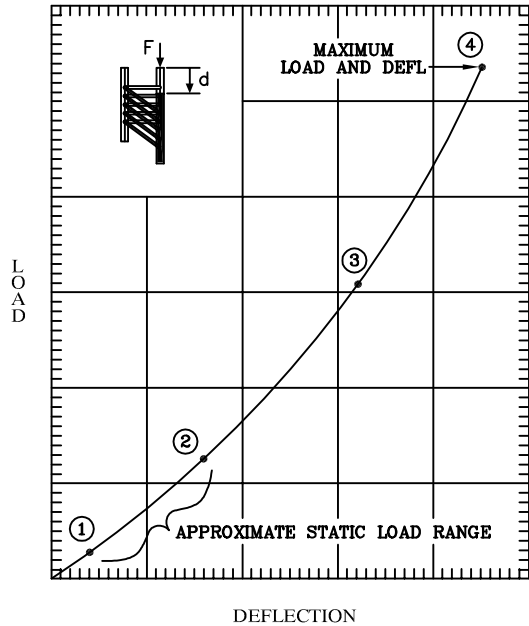


PART NO.	①		②		③		④		K _v (VIBE) (lbs/in)	K _s (SHOCK) (lbs/in)
	LOAD (lbs)	DEFL (in)	LOAD (lbs)	DEFL (in)	LOAD (lbs)	DEFL (in)	LOAD (lbs)	DEFL (in)		
SB4-110-04	28	.05	56	.10	94	.15	162	.20	560	628
SB4-120-04	17.6	.05	35.2	.10	60	.15	126	.25	352	400
SB4-130-04	13.6	.05	28	.10	48.8	.15	122	.30	272	324
SB4-140-04	10.4	.05	22	.10	43.2	.18	100	.35	208	240
SB4-150-04	7.2	.05	15.6	.10	37.6	.20	92	.40	144	188
SB4-160-04	5.2	.05	11.6	.10	30.4	.23	76	.45	104	132

ULTIMATE BREAKING STRENGTH ≈ 2.5k lbs

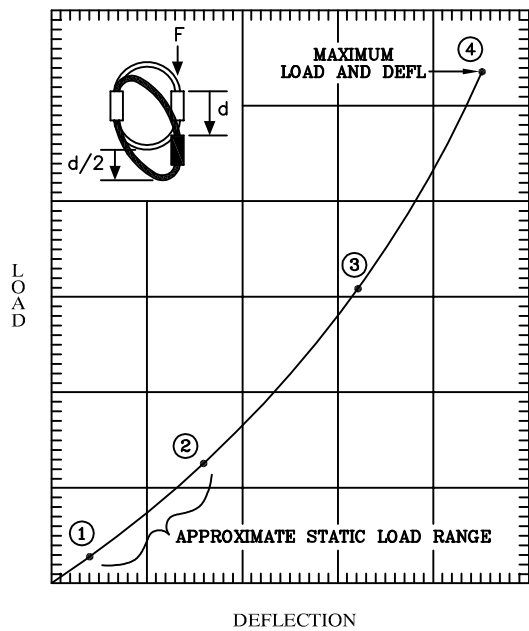


SHEAR

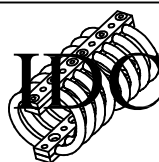


PART NO.	①		②		③		④		K _v (VIBE) (lbs/in)	K _s (SHOCK) (lbs/in)
	LOAD (lbs)	DEFL (in)	LOAD (lbs)	DEFL (in)	LOAD (lbs)	DEFL (in)	LOAD (lbs)	DEFL (in)		
SB4-110-04	6.4	.05	12.8	.10	21.6	.18	60	.35	128	120
SB4-120-04	4.0	.05	8.4	.10	16.8	.22	46	.45	80	76
SB4-130-04	3.2	.05	7.2	.10	16	.28	44	.55	64	58
SB4-140-04	2.4	.05	5.6	.10	13.6	.35	38	.70	48	40
SB4-150-04	1.6	.05	4.0	.10	12.4	.40	36	.80	32	30
SB4-160-04	1.2	.05	3.0	.10	10	.45	28.8	.90	24	22

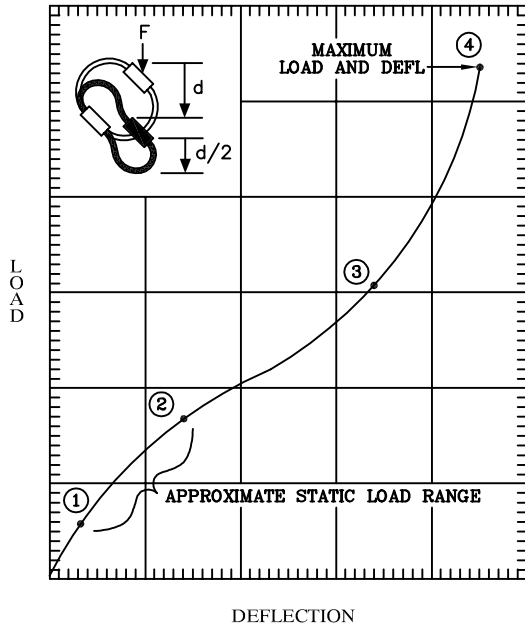
ROLL



PART NO.	①		②		③		④		K _v (VIBE) (lbs/in)	K _s (SHOCK) (lbs/in)
	LOAD (lbs)	DEFL (in)	LOAD (lbs)	DEFL (in)	LOAD (lbs)	DEFL (in)	LOAD (lbs)	DEFL (in)		
SB4-110-04	6.4	.05	12.8	.10	21.6	.18	60	.35	128	120
SB4-120-04	4.0	.05	8.4	.10	16.8	.22	46	.45	80	76
SB4-130-04	3.2	.05	7.2	.10	16	.28	44	.55	64	58
SB4-140-04	2.4	.05	5.6	.10	13.6	.35	38	.70	48	40
SB4-150-04	1.6	.05	4.0	.10	12.4	.40	36	.80	32	30
SB4-160-04	1.2	.05	3.0	.10	10	.45	28.8	.90	24	22

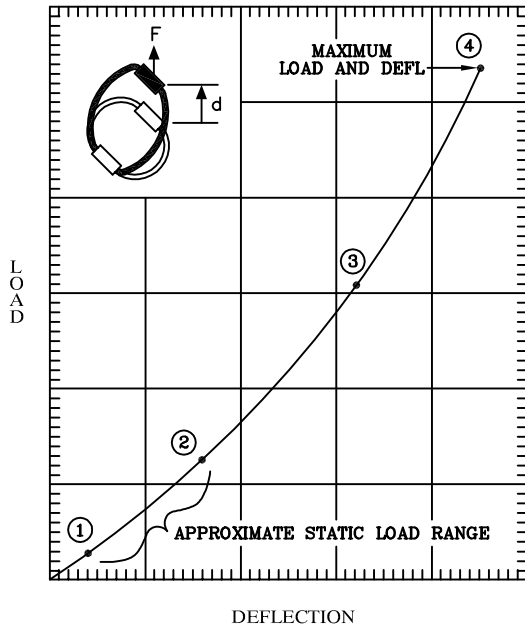


45° COMPRESSION/ROLL



PART NO.	①		②		③		④		K _v (VIBE) (lbs/in)	K _s (SHOCK) (lbs/in)
	LOAD (lbs)	DEFL (in)	LOAD (lbs)	DEFL (in)	LOAD (lbs)	DEFL (in)	LOAD (lbs)	DEFL (in)		
SB4-110-04	16.0	.05	25.6	.10	37.6	.35	47.2	.50	320	108
SB4-120-04	10.0	.05	16.8	.10	29.2	.45	36.4	.65	200	66
SB4-130-04	8.0	.05	14.4	.10	28	.55	34.4	.77	160	52
SB4-140-04	6.0	.05	11.2	.10	24	.70	30	1.00	120	36
SB4-150-04	4.0	.05	8.0	.10	22.4	.80	28	1.12	80	28
SB4-160-04	3.2	.05	5.6	.10	18	.90	22.4	1.25	64	20

45° TENSION/ROLL



PART NO.	①		②		③		④		K _v (VIBE) (lbs/in)	K _s (SHOCK) (lbs/in)
	LOAD (lbs)	DEFL (in)	LOAD (lbs)	DEFL (in)	LOAD (lbs)	DEFL (in)	LOAD (lbs)	DEFL (in)		
SB4-110-04	17.6	.05	36	.10	72	.15	168	.30	352	480
SB4-120-04	11.2	.05	23.2	.10	58	.18	130	.36	224	320
SB4-130-04	8.8	.05	18.4	.10	46	.21	114	.42	176	220
SB4-140-04	6.8	.05	14.4	.10	36	.25	90	.50	136	144
SB4-150-04	4.4	.05	9.6	.10	28	.28	72	.56	88	100
SB4-160-04	3.6	.05	7.6	.10	24	.32	60	.63	72	76

