

FEATURES:

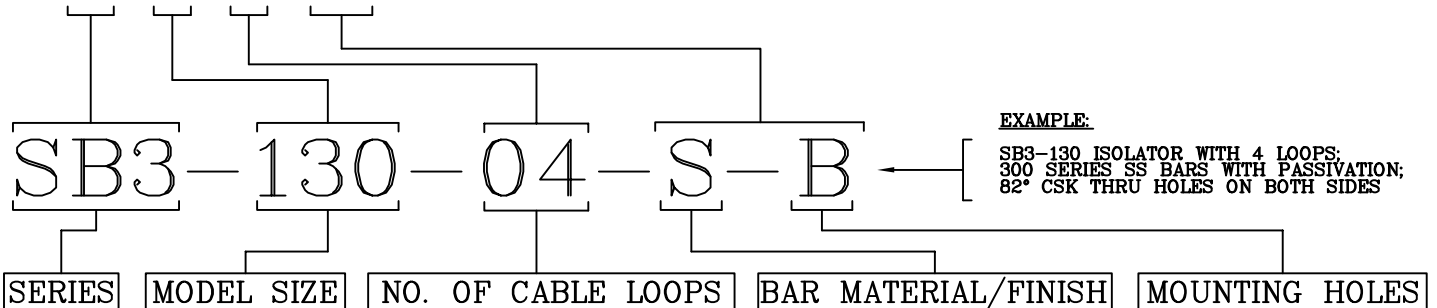
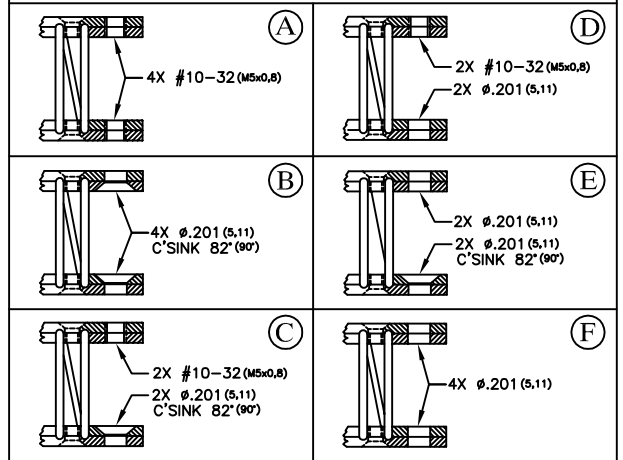
- RUGGED ALL METAL CONSTRUCTION
- UNEQUALLED TEMP. RANGE: -200°F TO 500°F
- THREE AXIS CAPABILITY
- MAINTENANCE FREE
- FAIL SAFE DESIGN
- HIGH DAMPING: C/Cc ≈ .20
- EXCEPTIONAL RELIABILITY AND LONG LIFE

MATERIALS/FINISHES:

- CABLE: 300 SERIES SS PER MIL-W-83420 OR RR-W-410
- SCREWS: 300 SERIES SS PER MS51959-26
- INSERTS: 300 SERIES SS (ALUM BARS ONLY)
- RETAINER BARS: SEE BELOW

PART NUMBER	DIMENSIONS, in.		ISOLATOR WEIGHT (SEE NOTE 3)
	H ± .03	W (REF)	
SB3 - 090 - 04 - []	0.90 (22.9)	1.10 (27.9)	.061lbs (.02kg)
SB3 - 100 - 04 - []	1.00 (25.4)	1.20 (30.5)	.061lbs (.02kg)
SB3 - 110 - 04 - []	1.10 (27.9)	1.30 (33.0)	.071lbs (.03kg)
SB3 - 130 - 04 - []	1.30 (33.0)	1.50 (38.1)	.071lbs (.03kg)
SB3 - 140 - 04 - []	1.40 (35.6)	1.60 (40.6)	.081lbs (.04kg)
SB3 - 150 - 04 - []	1.50 (38.1)	1.70 (43.2)	.081lbs (.04kg)

MOUNTING HOLE OPTIONS



EXAMPLE:

SB3-130 ISOLATOR WITH 4 LOOPS;
300 SERIES SS BARS WITH PASSIVATION;
82° CSK THRU HOLES ON BOTH SIDES

SERIES MODEL SIZE NO. OF CABLE LOOPS BAR MATERIAL/FINISH MOUNTING HOLES

• CABLE DIAMETER IN 32NDS

• BASED ON ISOLATOR HEIGHT

• 4 LOOPS STANDARD FOR THE SB3 SERIES.
• ISOLATOR SPRING RATES ARE DIRECTLY PROPORTIONAL TO NO. OF CABLE LOOPS.

• [] = 6061-T6 ALUM ALLOY/CHEM FILM IAW MIL-DTL-5541, TYPE II, CL 3.
• [H] = 6061-T6 ALUM ALLOY/ANODIZED IAW MIL-A-8625, TYPE II CLASS 1.
• [S] = 300 SERIES SS/PASSIVATED IAW QQ-P-35C, TYPE II.

• SEE MOUNTING HOLE OPTIONS ABOVE.
• ADD 'M' TO END OF P/N FOR METRIC MOUNTING HOLES.
• ADD 'L' TO END OF P/N FOR LOCKING INSERTS.

NOTES:

- 1) ALL DIMENSIONS IN PARENTHESIS ARE METRIC (mm).
- 2) SPECIALS AVAILABLE UPON REQUEST (MATERIALS, SIZE, MOUNTING HOLES, FINISH, ETC...)
- 3) ADD .091lbs (.04kg) TO ISOLATOR WEIGHT FOR ALL-STAINLESS STEEL VERSIONS.

TOLL FREE : 888-ISOLATOR
FAX : (631) 491-56724
WEB SITE : www.isolator.com
E-MAIL : sales@isolator.com
CAGE : 07007

