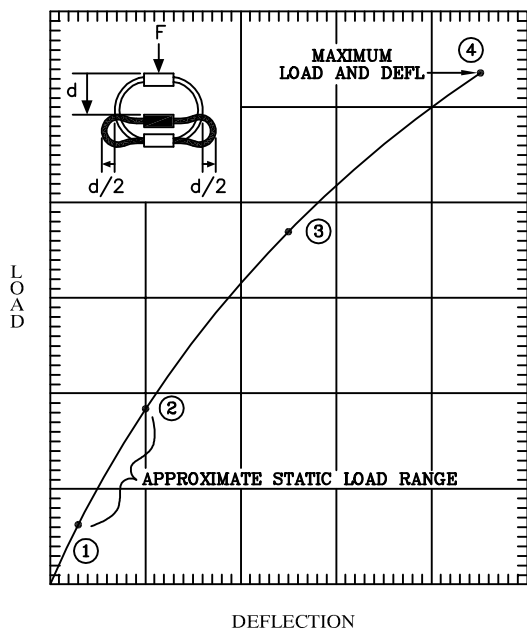
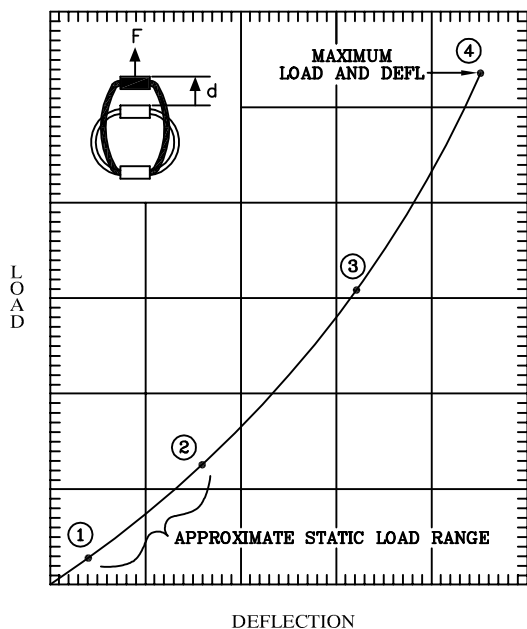


COMPRESSION



PART NO.	①		②		③		④		K _v (VIBE) (lbs/in)	K _s (SHOCK) (lbs/in)
	LOAD (lbs)	DEFL (in)	LOAD (lbs)	DEFL (in)	LOAD (lbs)	DEFL (in)	LOAD (lbs)	DEFL (in)		
SB32-525-04	615	.10	1320	.25	4000	1.00	7000	2.00	6160	4000
SB32-600-04	495	.10	1055	.25	3790	1.25	6720	2.50	4950	3030
SB32-625-04	425	.10	920	.25	3750	1.50	5750	3.00	4320	2500
SB32-750-04	300	.10	625	.25	3000	2.00	4320	4.00	3050	1500
SB32-850-04	175	.10	400	.25	2320	2.25	3450	4.50	1750	1040

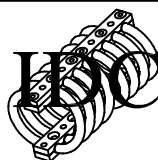
TENSION



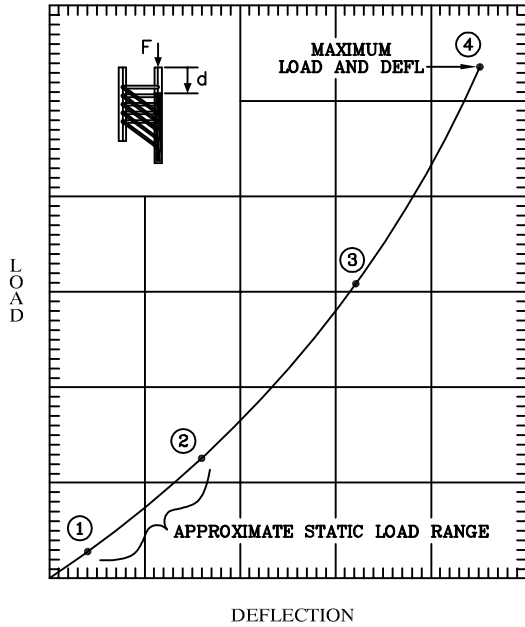
PART NO.	①		②		③		④		K _v (VIBE) (lbs/in)	K _s (SHOCK) (lbs/in)
	LOAD (lbs)	DEFL (in)	LOAD (lbs)	DEFL (in)	LOAD (lbs)	DEFL (in)	LOAD (lbs)	DEFL (in)		
SB32-525-04	670	.10	1890	.25	4800	.50	16950	1.00	6700	9600
SB32-600-04	545	.10	1490	.25	4560	.63	14590	1.25	5450	7240
SB32-625-04	480	.10	1280	.25	4500	.75	11200	1.50	4800	6000
SB32-750-04	338	.10	880	.25	3600	1.00	9000	2.00	3350	3600
SB32-850-04	193	.10	560	.25	2800	1.13	7000	2.25	1925	2500

ULTIMATE BREAKING STRENGTH ≈ 50k lbs

TOLL FREE : 888-ISOLATOR
 FAX : (631) 491-5672
 WEB SITE : www.isolator.com
 E-MAIL : sales@isolator.com
 CAGE : 07QQ7

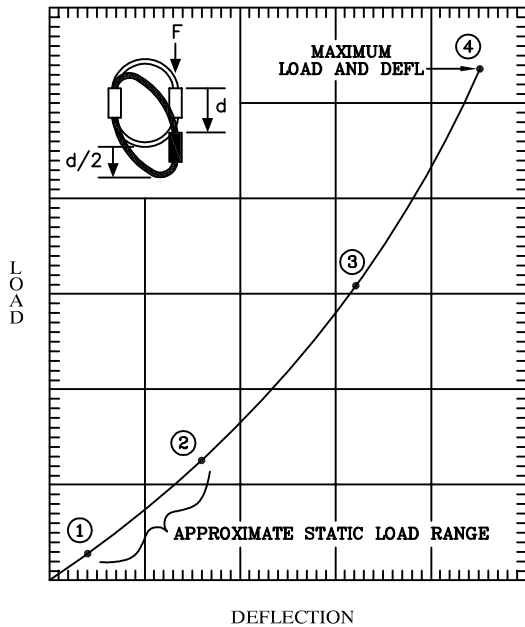


SHEAR



PART NO.	①		②		③		④		K _v (VIBE) (lbs/in)	K _s (SHOCK) (lbs/in)
	LOAD (lbs)	DEFL (in)	LOAD (lbs)	DEFL (in)	LOAD (lbs)	DEFL (in)	LOAD (lbs)	DEFL (in)		
SB32-525-04	220	.10	560	.25	2075	1.00	5125	2.00	2200	2325
SB32-600-04	160	.10	415	.25	1750	1.25	4800	2.50	1600	1675
SB32-625-04	113	.10	300	.25	1525	1.50	4550	3.00	1125	1200
SB32-750-04	80	.10	210	.25	1200	2.00	3450	4.00	800	875
SB32-850-04	45	.10	135	.25	925	2.25	2750	4.50	440	525

ROLL

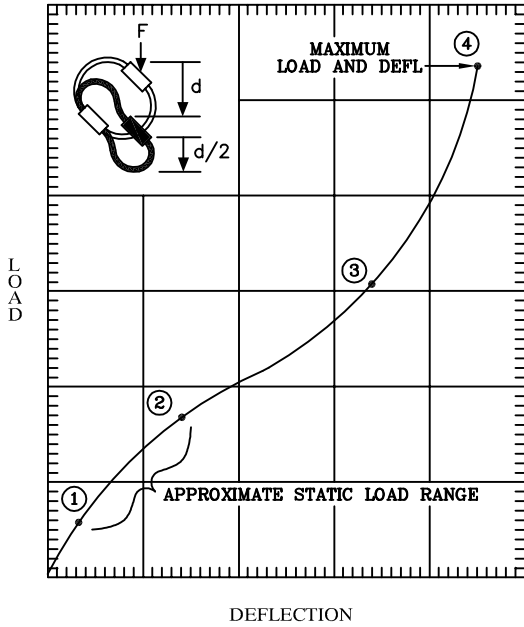


PART NO.	①		②		③		④		K _v (VIBE) (lbs/in)	K _s (SHOCK) (lbs/in)
	LOAD (lbs)	DEFL (in)	LOAD (lbs)	DEFL (in)	LOAD (lbs)	DEFL (in)	LOAD (lbs)	DEFL (in)		
SB32-525-04	220	.10	560	.25	2075	1.00	5125	2.00	2200	2325
SB32-600-04	160	.10	415	.25	1750	1.25	4800	2.50	1600	1675
SB32-625-04	113	.10	300	.25	1525	1.50	4550	3.00	1125	1200
SB32-750-04	80	.10	210	.25	1200	2.00	3450	4.00	800	875
SB32-850-04	45	.10	135	.25	925	2.25	2750	4.50	440	525

TOLL FREE : 888-ISOLATOR
 FAX : (631) 491-5672
 WEB SITE : www.isolator.com
 E-MAIL : sales@isolator.com
 CAGE : 07QQ7

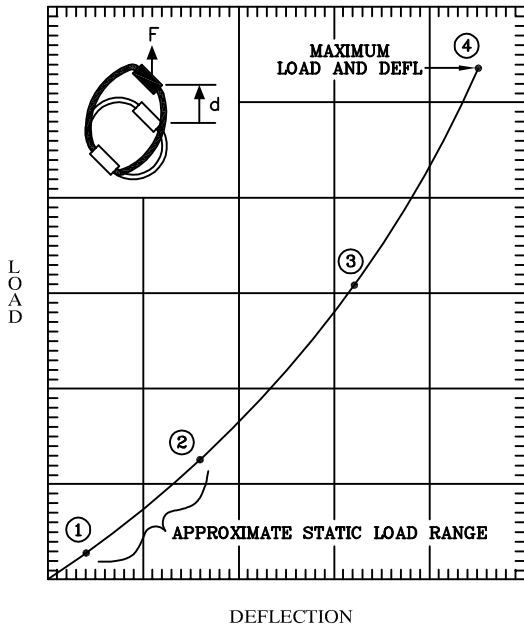


45° COMPRESSION/ROLL



PART NO.	①		②		③		④		K _v (VIBE) (lbs/in)	K _s (SHOCK) (lbs/in)
	LOAD (lbs)	DEFL (in)	LOAD (lbs)	DEFL (in)	LOAD (lbs)	DEFL (in)	LOAD (lbs)	DEFL (in)		
SB32-525-04	500	.10	1125	.25	3200	2.00	4000	2.75	5000	2000
SB32-600-04	360	.10	850	.25	3050	2.50	3800	3.50	3600	1450
SB32-625-04	280	.10	600	.25	2875	3.00	3600	4.25	2800	1200
SB32-750-04	175	.10	400	.25	2150	4.00	2725	5.50	1750	650
SB32-850-04	100	.10	260	.25	1725	4.50	2150	6.25	1000	480

45° TENSION/ROLL



PART NO.	①		②		③		④		K _v (VIBE) (lbs/in)	K _s (SHOCK) (lbs/in)
	LOAD (lbs)	DEFL (in)	LOAD (lbs)	DEFL (in)	LOAD (lbs)	DEFL (in)	LOAD (lbs)	DEFL (in)		
SB32-525-04	550	.10	1500	.25	4950	.70	12400	1.40	5400	7100
SB32-600-04	400	.10	1125	.25	4725	.88	11600	1.75	4000	5350
SB32-625-04	300	.10	800	.25	3850	1.00	9600	2.00	3000	3850
SB32-750-04	200	.10	525	.25	3500	1.38	8600	2.75	2000	2500
SB32-850-04	113	.10	375	.25	2725	1.50	6800	3.00	1125	1750

