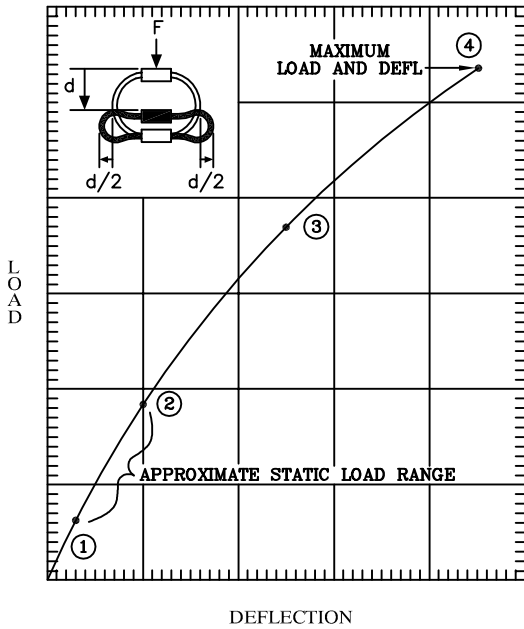
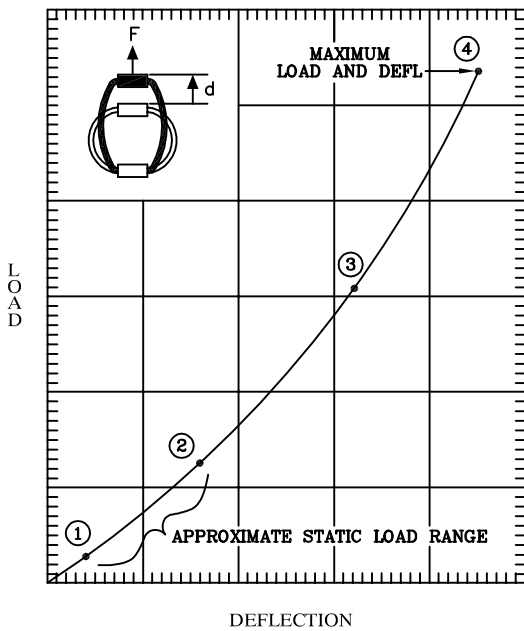


COMPRESSION



PART NO.	①		②		③		④		K _v (VIBE) (lbs/in)	K _s (SHOCK) (lbs/in)
	LOAD (lbs)	DEFL (in)	LOAD (lbs)	DEFL (in)	LOAD (lbs)	DEFL (in)	LOAD (lbs)	DEFL (in)		
SB2-070-04	3.4	.05	5.6	.10	8.8	.18	14	.35	68	49
SB2-080-04	2.0	.05	3.6	.10	6.0	.22	10	.45	40	27
SB2-100-04	1.4	.05	2.4	.10	5.2	.28	8.4	.55	28	18
SB2-110-04	.96	.05	1.6	.10	4.4	.35	7.6	.70	19	12
SB2-120-04	.68	.05	1.3	.10	3.8	.40	2.4	.80	14	10
SB2-130-04	.52	.05	1.0	.10	3.0	.45	5.2	.90	10	7

TENSION



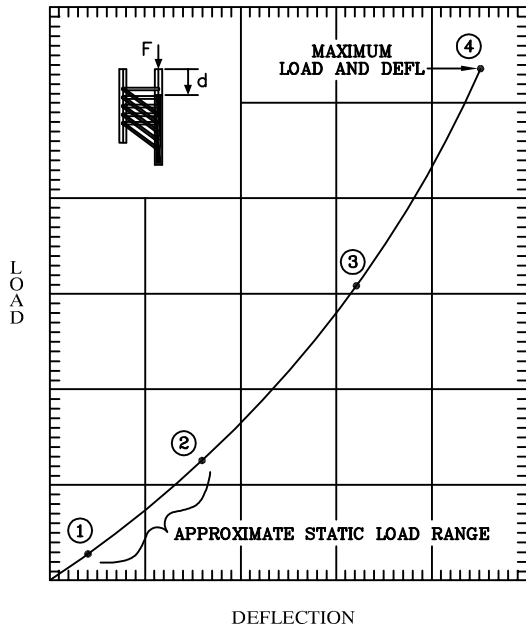
PART NO.	①		②		③		④		K _v (VIBE) (lbs/in)	K _s (SHOCK) (lbs/in)
	LOAD (lbs)	DEFL (in)	LOAD (lbs)	DEFL (in)	LOAD (lbs)	DEFL (in)	LOAD (lbs)	DEFL (in)		
SB2-070-04	3.8	.05	.80	.10	16	.15	28	.20	76	106
SB2-080-04	2.4	.05	5.6	.10	10	.15	20	.25	48	66
SB2-100-04	1.8	.05	3.2	.10	6.4	.15	16	.30	36	43
SB2-110-04	1.3	.05	2.1	.10	5.6	.18	13.2	.35	26	31
SB2-120-04	1.0	.05	1.7	.10	4.8	.20	11.2	.40	20	24
SB2-130-04	.72	.05	1.3	.10	4.0	.23	9.2	.45	14	16

ULTIMATE BREAKING STRENGTH ≈ 1k lbs

TOLL FREE : 888-ISOLATOR
 FAX : (631) 491-5672
 WEB SITE : www.isolator.com
 E-MAIL : sales@isolator.com
 CAGE : 07QQ7

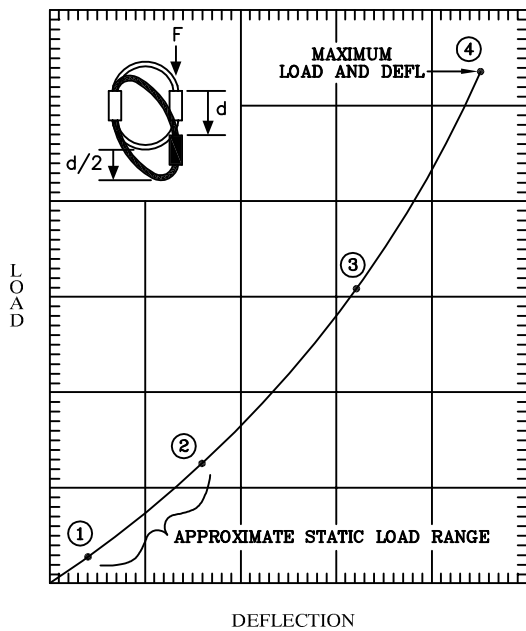


SHEAR



PART NO.	①		②		③		④		K _v (VIBE) (lbs/in)	K _s (SHOCK) (lbs/in)
	LOAD (lbs)	DEFL (in)	LOAD (lbs)	DEFL (in)	LOAD (lbs)	DEFL (in)	LOAD (lbs)	DEFL (in)		
SB2-070-04	.80	.05	1.9	.10	3.5	.18	11	.35	16	20
SB2-080-04	.52	.05	1.2	.10	2.4	.22	8	.45	10	11
SB2-100-04	.36	.05	.80	.10	2.1	.28	3	.55	7	8
SB2-110-04	.24	.05	.52	.10	1.8	.35	6	.70	5	5
SB2-120-04	.16	.05	.44	.10	1.5	.40	5	.80	3	4
SB2-130-04	.12	.05	.32	.10	1.2	.45	4	.90	2	3

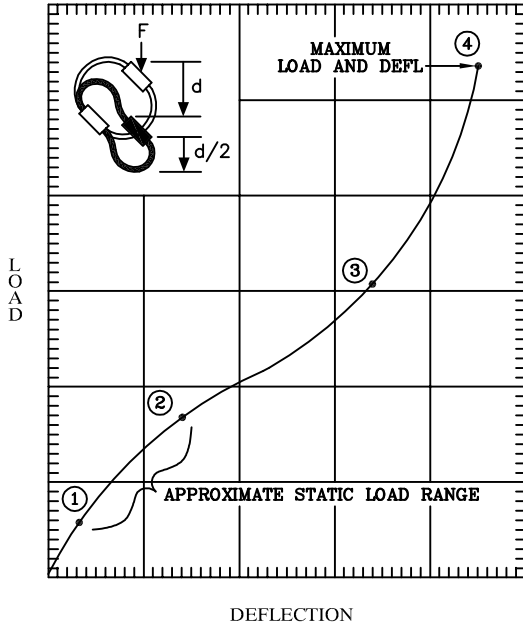
ROLL



PART NO.	①		②		③		④		K _v (VIBE) (lbs/in)	K _s (SHOCK) (lbs/in)
	LOAD (lbs)	DEFL (in)	LOAD (lbs)	DEFL (in)	LOAD (lbs)	DEFL (in)	LOAD (lbs)	DEFL (in)		
SB2-070-04	.80	.05	1.9	.10	3.5	.18	11	.35	16	20
SB2-080-04	.52	.05	1.2	.10	2.4	.22	8	.45	10	11
SB2-100-04	.36	.05	.80	.10	2.1	.28	3	.55	7	8
SB2-110-04	.24	.05	.52	.10	1.8	.35	6	.70	5	5
SB2-120-04	.16	.05	.44	.10	1.5	.40	5	.80	3	4
SB2-130-04	.12	.05	.32	.10	1.2	.45	4	.90	2	3

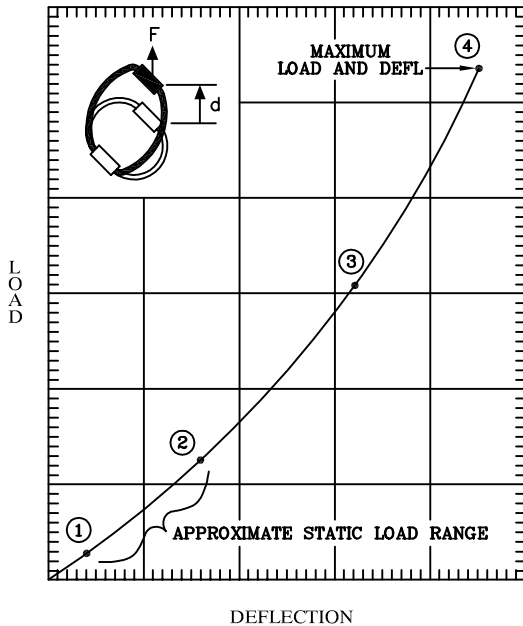


45° COMPRESSION/ROLL



PART NO.	①		②		③		④		K _v (VIBE) (lbs/in)	K _s (SHOCK) (lbs/in)
	LOAD (lbs)	DEFL (in)	LOAD (lbs)	DEFL (in)	LOAD (lbs)	DEFL (in)	LOAD (lbs)	DEFL (in)		
SB2-070-04	2.1	.05	3.8	.10	6.8	.35	8.4	.50	42	19
SB2-080-04	1.3	.05	2.4	.10	5.2	.45	6.4	.65	26	12
SB2-100-04	.88	.05	1.6	.10	4.0	.55	5.2	.77	18	7
SB2-110-04	.60	.05	1.0	.10	3.8	.70	4.8	1.00	12	5
SB2-120-04	.40	.05	.88	.10	3.2	.80	4.0	1.12	8	4
SB2-130-04	.32	.05	.64	.10	2.6	.90	3.2	1.25	6	3

45° TENSION/ROLL



PART NO.	①		②		③		④		K _v (VIBE) (lbs/in)	K _s (SHOCK) (lbs/in)
	LOAD (lbs)	DEFL (in)	LOAD (lbs)	DEFL (in)	LOAD (lbs)	DEFL (in)	LOAD (lbs)	DEFL (in)		
SB2-070-04	2.4	.05	4.8	.10	14.4	.15	43.2	.30	48	96
SB2-080-04	1.6	.05	3.4	.10	10.4	.18	30.8	.36	32	58
SB2-100-04	1.2	.05	2.0	.10	6.0	.21	18	.42	24	29
SB2-110-04	.80	.05	1.3	.10	3.8	.25	11.6	.50	16	15
SB2-120-04	.60	.05	1.0	.10	3.1	.28	9.2	.56	12	11
SB2-130-04	.48	.05	.80	.10	2.4	.32	7.2	.63	10	8

