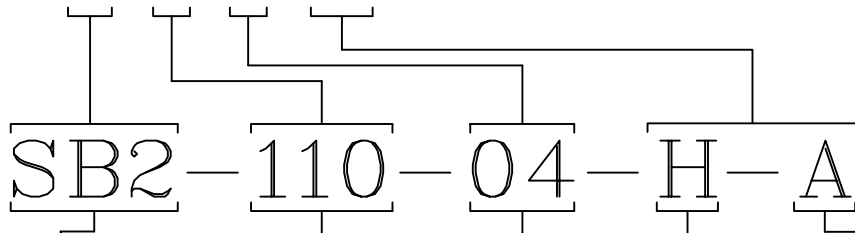
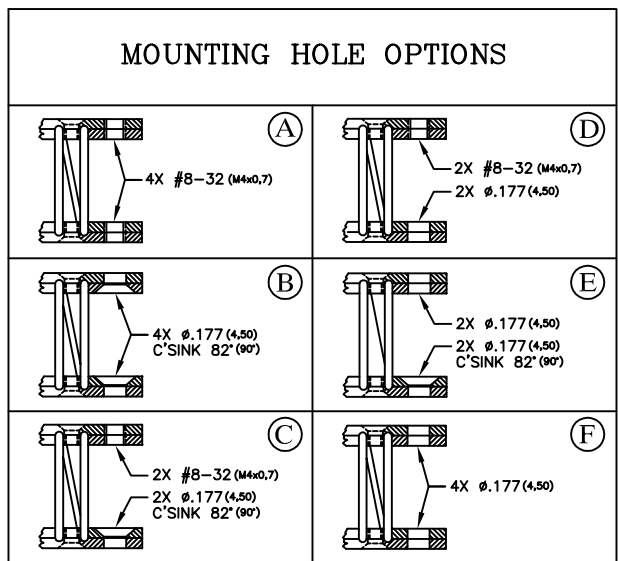


- FEATURES:**
- RUGGED ALL METAL CONSTRUCTION
 - UNEQUALLED TEMP. RANGE: -200°F TO 500°F
 - THREE AXIS CAPABILITY
 - MAINTENANCE FREE
 - FAIL SAFE DESIGN
 - HIGH DAMPING: C/Cc ≈ .20
 - EXCEPTIONAL RELIABILITY AND LONG LIFE
- MATERIALS/FINISHES:**
- CABLE: 300 SERIES SS PER MIL-W-83420 OR RR-W-410
 - SCREWS: 300 SERIES SS PER MS51959-12
 - INSERTS: 300 SERIES SS (ALUM BARS ONLY)
 - RETAINER BARS: SEE BELOW

PART NUMBER	DIMENSIONS, in.		ISOLATOR WEIGHT (SEE NOTE 3)
	H ±.03	W (REF)	
SB2 - 070 - 04 - []	0.70 (17,8)	1.00 (25,4)	.49oz (14gms)
SB2 - 080 - 04 - []	0.80 (20,3)	1.10 (27,9)	.51oz (15gms)
SB2 - 100 - 04 - []	1.00 (25,4)	1.20 (30,5)	.53oz (16gms)
SB2 - 110 - 04 - []	1.10 (27,9)	1.30 (33,0)	.55oz (16gms)
SB2 - 120 - 04 - []	1.20 (30,5)	1.40 (35,6)	.58oz (16gms)
SB2 - 130 - 04 - []	1.30 (33,0)	1.50 (38,1)	.59oz (17gms)



EXAMPLE:

SB2-110 ISOLATOR WITH 4 LOOPS; 6061 ALUM BARS WITH ANODIZE; #8-32 INSERTS ON BOTH SIDES

SERIES	MODEL SIZE	NO. OF CABLE LOOPS	BAR MATERIAL/FINISH	MOUNTING HOLES
• CABLE DIAMETER IN 32NDS	• BASED ON ISOLATOR HEIGHT	• 4 LOOPS STANDARD FOR THE SB2 SERIES. • ISOLATOR SPRING RATES ARE DIRECTLY PROPORTIONAL TO NO. OF CABLE LOOPS.	• [] = 6061-T6 ALUM ALLOY/CHEM FILM IAW MIL-DTL-5541, TYPE II, CL 3. • [H] = 6061-T6 ALUM ALLOY/ANODIZED IAW MIL-A-8625, TYPE II CLASS 1. • [S] = 300 SERIES SS/PASSIVATED IAW QQ-P-35C, TYPE II.	• SEE MOUNTING HOLE OPTIONS ABOVE. • ADD 'M' TO END OF P/N FOR METRIC MOUNTING HOLES. • ADD 'L' TO END OF P/N FOR LOCKING INSERTS.

NOTES:

- 1) ALL DIMENSIONS IN PARENTHESIS ARE METRIC (mm).
- 2) SPECIALS AVAILABLE UPON REQUEST (MATERIALS, SIZE, MOUNTING HOLES, FINISH, ETC...)
- 3) ADD .56oz (16gms) TO ISOLATOR WEIGHT FOR ALL-STAINLESS STEEL VERSIONS.

TOLL FREE : 888-ISOLATOR
FAX : (631) 491-5672
WEB SITE : www.isolator.com
E-MAIL : sales@isolator.com
CAGE : 07QQ7

