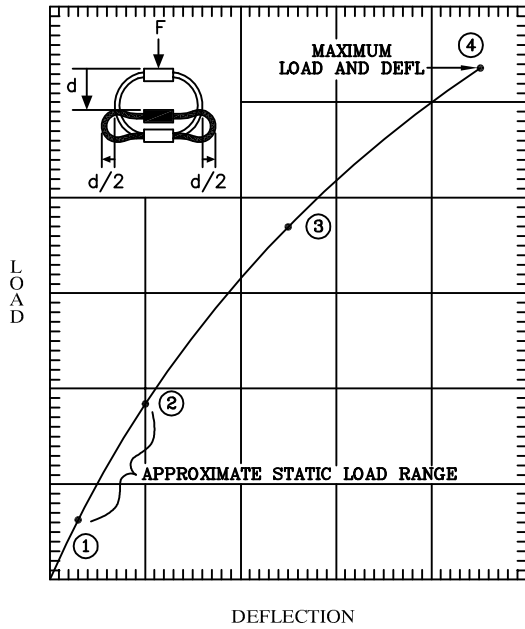
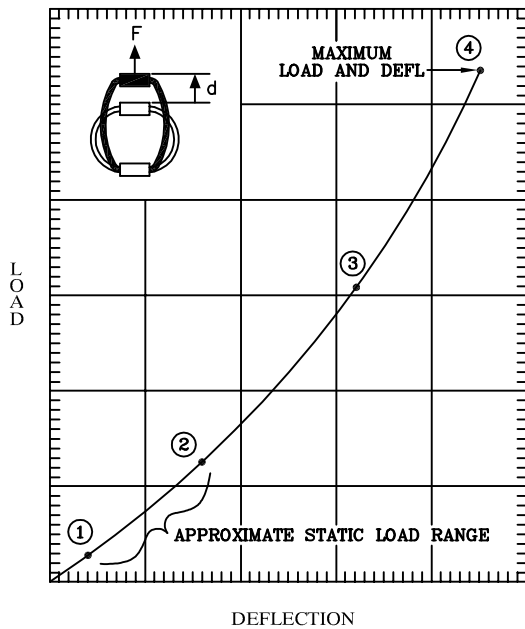


COMPRESSION



PART NO.	①		②		③		④		K _v (VIBE) (lbs/in)	K _s (SHOCK) (lbs/in)
	LOAD (lbs)	DEFL (in)	LOAD (lbs)	DEFL (in)	LOAD (lbs)	DEFL (in)	LOAD (lbs)	DEFL (in)		
SB28-525-04	385	.10	825	.25	2500	1.00	4375	2.00	3850	2500
SB28-600-04	310	.10	660	.25	2370	1.25	4200	2.50	3100	1895
SB28-625-04	270	.10	575	.25	2350	1.50	3600	3.00	2300	1260
SB28-750-04	190	.10	390	.25	1875	2.00	2700	4.00	1900	938
SB28-850-04	110	.10	250	.25	1450	2.25	2150	4.50	1100	650

TENSION

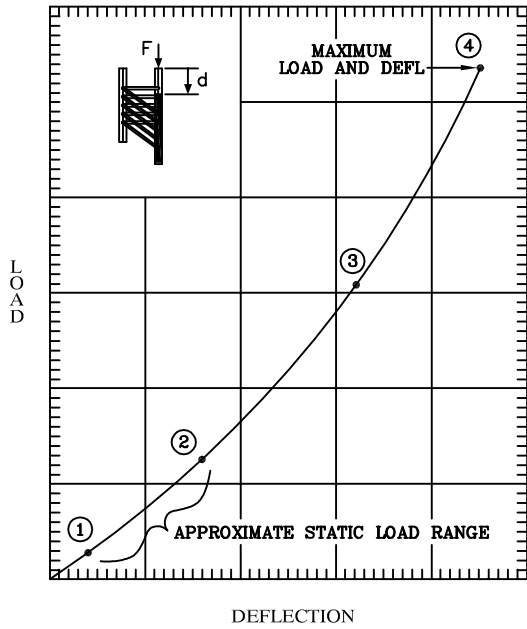


PART NO.	①		②		③		④		K _v (VIBE) (lbs/in)	K _s (SHOCK) (lbs/in)
	LOAD (lbs)	DEFL (in)	LOAD (lbs)	DEFL (in)	LOAD (lbs)	DEFL (in)	LOAD (lbs)	DEFL (in)		
SB28-525-04	420	.10	1180	.25	3000	.50	10600	1.00	4200	6000
SB28-600-04	340	.10	930	.25	2850	.63	9120	1.25	3400	4520
SB28-625-04	300	.10	800	.25	2800	.75	7000	1.50	3000	3750
SB28-750-04	210	.10	550	.25	2250	1.00	5625	2.00	2100	2250
SB28-850-04	120	.10	350	.25	1750	1.13	4350	2.25	1200	1550

ULTIMATE BREAKING STRENGTH ≈ 50k lbs

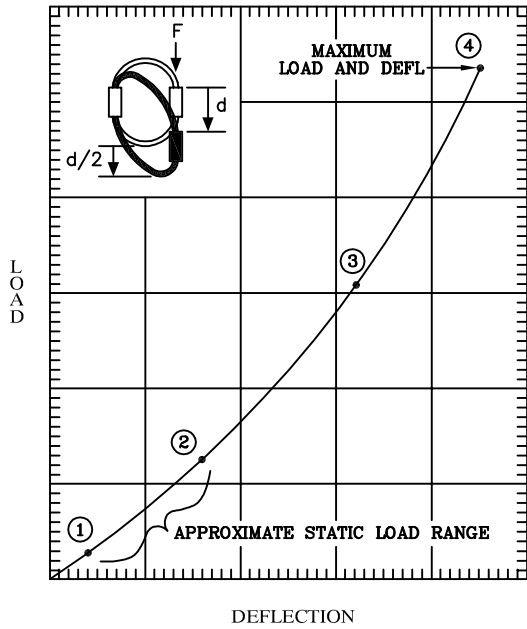


SHEAR



PART NO.	①		②		③		④		K _v (VIBE) (lbs/in)	K _s (SHOCK) (lbs/in)
	LOAD (lbs)	DEFL (in)	LOAD (lbs)	DEFL (in)	LOAD (lbs)	DEFL (in)	LOAD (lbs)	DEFL (in)		
SB28-525-04	138	.10	350	.25	1300	1.00	3200	2.00	1375	1450
SB28-600-04	100	.10	260	.25	1100	1.25	3000	2.50	1000	1050
SB28-625-04	70	.10	190	.25	950	1.50	2850	3.00	700	750
SB28-750-04	50	.10	130	.25	750	2.00	2150	4.00	500	550
SB28-850-04	23	.10	85	.25	575	2.25	1725	4.50	275	325

ROLL

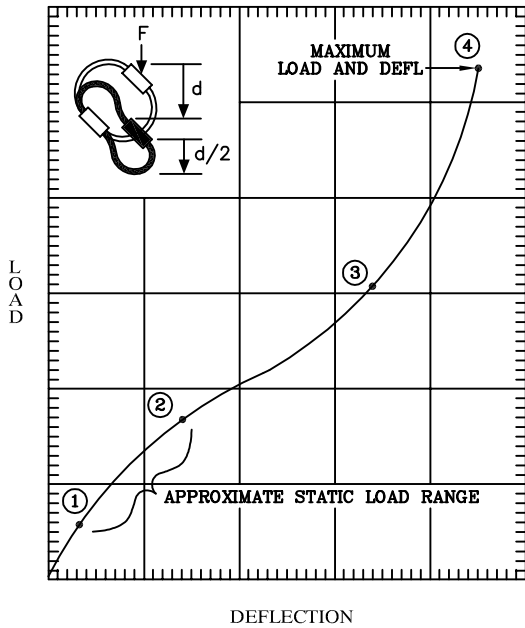


PART NO.	①		②		③		④		K _v (VIBE) (lbs/in)	K _s (SHOCK) (lbs/in)
	LOAD (lbs)	DEFL (in)	LOAD (lbs)	DEFL (in)	LOAD (lbs)	DEFL (in)	LOAD (lbs)	DEFL (in)		
SB28-525-04	138	.10	350	.25	1300	1.00	3200	2.00	1375	1450
SB28-600-04	100	.10	260	.25	1100	1.25	3000	2.50	1000	1050
SB28-625-04	70	.10	190	.25	950	1.50	2850	3.00	700	750
SB28-750-04	50	.10	130	.25	750	2.00	2150	4.00	500	550
SB28-850-04	23	.10	85	.25	575	2.25	1725	4.50	275	325

TOLL FREE : 888-ISOLATOR
 FAX : (631) 491-5672
 WEB SITE : www.isolator.com
 E-MAIL : sales@isolator.com
 CAGE : 07007

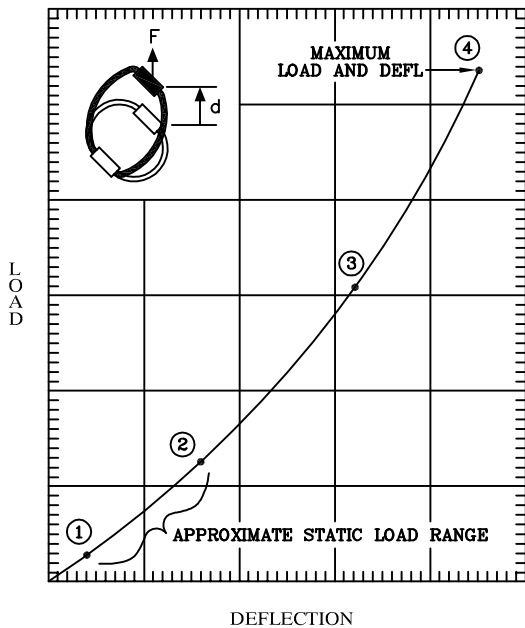


45° COMPRESSION/ROLL



PART NO.	①		②		③		④		K _v (VIBE) (lbs/in)	K _s (SHOCK) (lbs/in)
	LOAD (lbs)	DEFL (in)	LOAD (lbs)	DEFL (in)	LOAD (lbs)	DEFL (in)	LOAD (lbs)	DEFL (in)		
SB28-525-04	313	.10	700	.25	2000	2.00	2500	2.75	3125	1750
SB28-600-04	225	.10	525	.25	1900	2.50	2375	3.50	2250	900
SB28-625-04	175	.10	375	.25	1800	3.00	2250	4.25	1750	750
SB28-750-04	110	.10	250	.25	1350	4.00	1700	5.50	1100	400
SB28-850-04	63	.10	163	.25	1075	4.50	1350	6.25	625	300

45° TENSION/ROLL



PART NO.	①		②		③		④		K _v (VIBE) (lbs/in)	K _s (SHOCK) (lbs/in)
	LOAD (lbs)	DEFL (in)	LOAD (lbs)	DEFL (in)	LOAD (lbs)	DEFL (in)	LOAD (lbs)	DEFL (in)		
SB28-525-04	338	.10	925	.25	3100	.70	7750	1.40	3375	4425
SB28-600-04	250	.10	700	.25	2950	.88	7250	1.75	2500	3350
SB28-625-04	188	.10	500	.25	2400	1.00	6000	2.00	1875	2400
SB28-750-04	125	.10	325	.25	2150	1.38	5375	2.75	1250	1550
SB28-850-04	70	.10	238	.25	1700	1.50	4250	3.00	700	1100

TOLL FREE : 888-ISOLATOR
 FAX : (631) 491-5672
 WEB SITE : www.isolator.com
 E-MAIL : sales@isolator.com
 CAGE : 07QQ7

