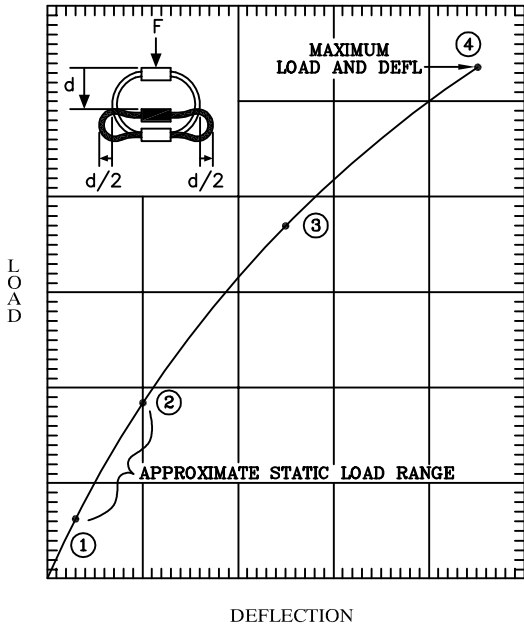
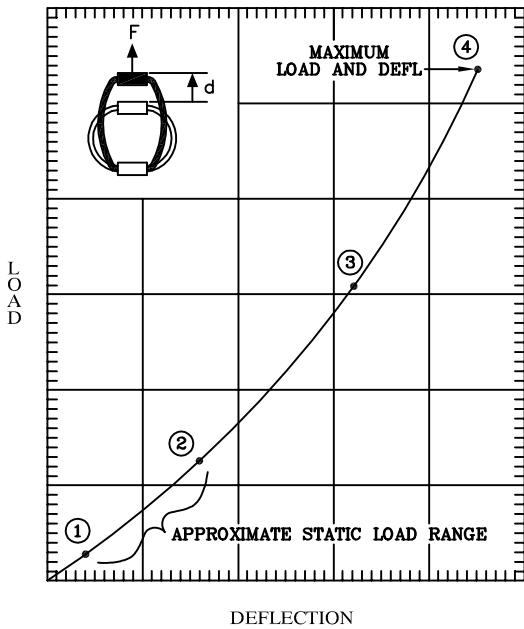


COMPRESSION



PART NO.	①		②		③		④		K _v (VIBE) (lbs/in)	K _s (SHOCK) (lbs/in)
	LOAD (lbs)	DEFL (in)	LOAD (lbs)	DEFL (in)	LOAD (lbs)	DEFL (in)	LOAD (lbs)	DEFL (in)		
SB24-400-04	600	.10	1200	.25	2800	.75	4150	1.50	4200	2500
SB24-440-04	420	.10	840	.25	2500	1.00	3700	2.00	2750	1375
SB24-480-04	275	.10	520	.25	3100	1.13	2750	2.25	1800	1075
SB24-520-04	180	.10	375	.25	1350	1.25	2350	2.50	1025	575
SB24-550-04	120	.10	275	.25	1170	1.50	2000	3.00	575	325

TENSION



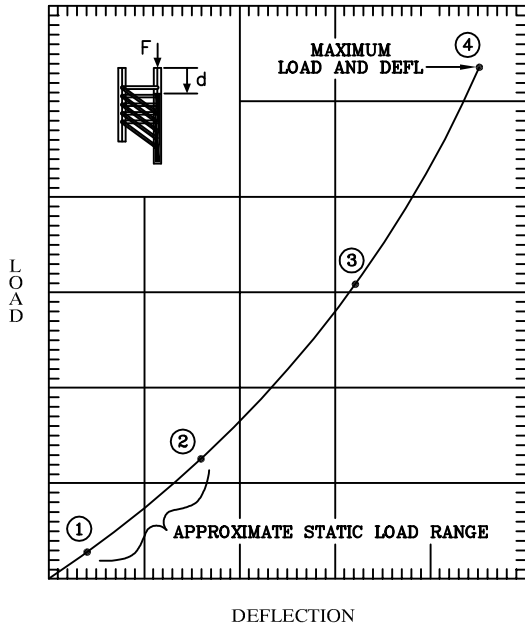
PART NO.	①		②		③		④		K _v (VIBE) (lbs/in)	K _s (SHOCK) (lbs/in)
	LOAD (lbs)	DEFL (in)	LOAD (lbs)	DEFL (in)	LOAD (lbs)	DEFL (in)	LOAD (lbs)	DEFL (in)		
SB24-400-04	700	.10	1875	.25	4000	.44	9900	.88	7000	9000
SB24-440-04	460	.10	1175	.25	3000	.50	7500	1.00	4600	6000
SB24-480-04	300	.10	725	.25	1900	.56	4700	1.13	3000	3600
SB24-520-04	200	.10	525	.25	1600	.63	4000	1.25	2000	2500
SB24-550-04	135	.10	375	.25	1400	.75	3500	1.50	1350	1850

ULTIMATE BREAKING STRENGTH ≈ 30k lbs

TOLL FREE : 888-ISOLATOR
 FAX : (631) 491-5672
 WEB SITE : www.isolator.com
 E-MAIL : sales@isolator.com
 CAGE : 07QQ7

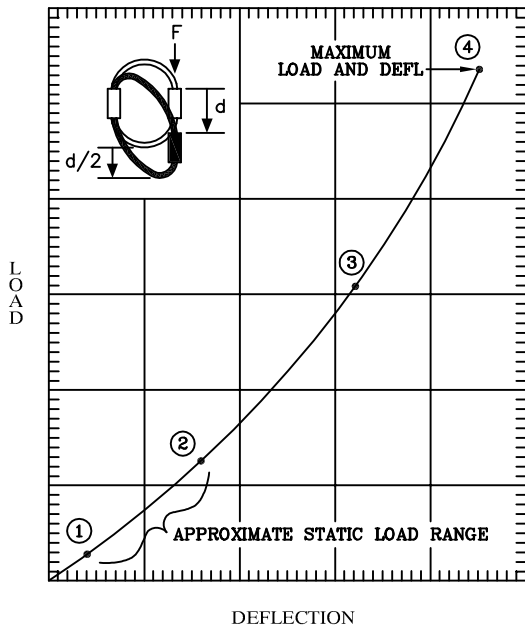


SHEAR



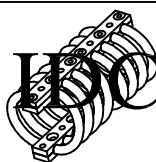
PART NO.	①		②		③		④		K _v (VIBE) (lbs/in)	K _s (SHOCK) (lbs/in)
	LOAD (lbs)	DEFL (in)	LOAD (lbs)	DEFL (in)	LOAD (lbs)	DEFL (in)	LOAD (lbs)	DEFL (in)		
SB24-400-04	150	.10	400	.25	1325	.88	3900	1.75	1000	1100
SB24-440-04	105	.10	275	.25	1000	1.00	3000	2.00	700	750
SB24-480-04	70	.10	175	.25	675	1.13	2200	2.25	450	500
SB24-520-04	45	.10	125	.25	540	1.25	1900	2.50	260	300
SB24-550-04	30	.10	90	.25	475	1.50	1600	3.00	150	165

ROLL

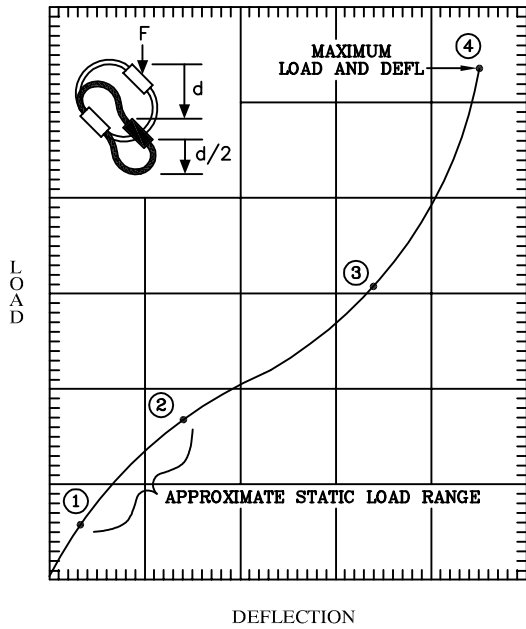


PART NO.	①		②		③		④		K _v (VIBE) (lbs/in)	K _s (SHOCK) (lbs/in)
	LOAD (lbs)	DEFL (in)	LOAD (lbs)	DEFL (in)	LOAD (lbs)	DEFL (in)	LOAD (lbs)	DEFL (in)		
SB24-400-04	150	.10	400	.25	1325	.88	3900	1.75	1000	1100
SB24-440-04	105	.10	275	.25	1000	1.00	3000	2.00	700	750
SB24-480-04	70	.10	175	.25	675	1.13	2200	2.25	450	500
SB24-520-04	45	.10	125	.25	540	1.25	1900	2.50	260	300
SB24-550-04	30	.10	90	.25	475	1.50	1600	3.00	150	165

TOLL FREE : 888-ISOLATOR
 FAX : (631) 491-5672
 WEB SITE : www.isolator.com
 E-MAIL : sales@isolator.com
 CAGE : 07QQ7

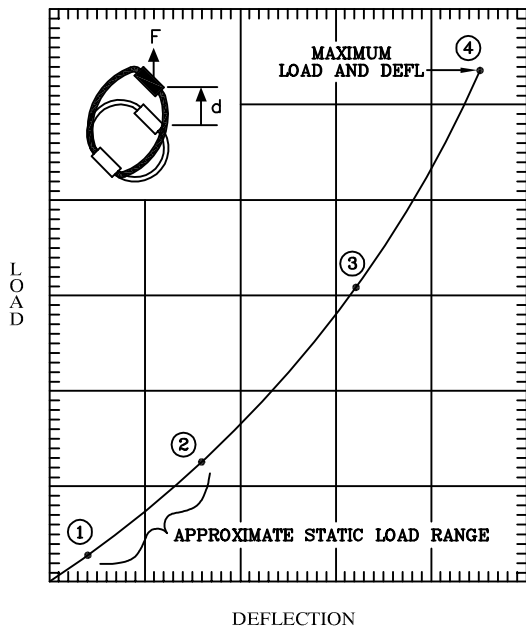


45° COMPRESSION/ROLL



PART NO.	①		②		③		④		K _v (VIBE) (lbs/in)	K _s (SHOCK) (lbs/in)
	LOAD (lbs)	DEFL (in)	LOAD (lbs)	DEFL (in)	LOAD (lbs)	DEFL (in)	LOAD (lbs)	DEFL (in)		
SB24-400-04	350	.10	800	.25	2500	1.75	3125	2.50	3500	1500
SB24-440-04	250	.10	550	.25	1900	2.00	2400	2.75	2500	900
SB24-480-04	160	.10	350	.25	1400	2.25	1750	3.15	1600	700
SB24-520-04	110	.10	240	.25	1200	2.50	1500	3.50	1100	500
SB24-550-04	70	.10	160	.25	1000	3.00	1250	4.25	700	350

45° TENSION/ROLL



PART NO.	①		②		③		④		K _v (VIBE) (lbs/in)	K _s (SHOCK) (lbs/in)
	LOAD (lbs)	DEFL (in)	LOAD (lbs)	DEFL (in)	LOAD (lbs)	DEFL (in)	LOAD (lbs)	DEFL (in)		
SB24-400-04	375	.10	1050	.25	3000	.63	7500	1.25	3750	4700
SB24-440-04	275	.10	725	.25	2400	.70	6000	1.40	2750	3400
SB24-480-04	175	.10	450	.25	1750	.80	4400	1.60	1750	2200
SB24-520-04	125	.10	325	.25	1400	.88	3500	1.75	1250	1600
SB24-550-04	75	.10	225	.25	1080	1.00	2700	2.00	750	1050

