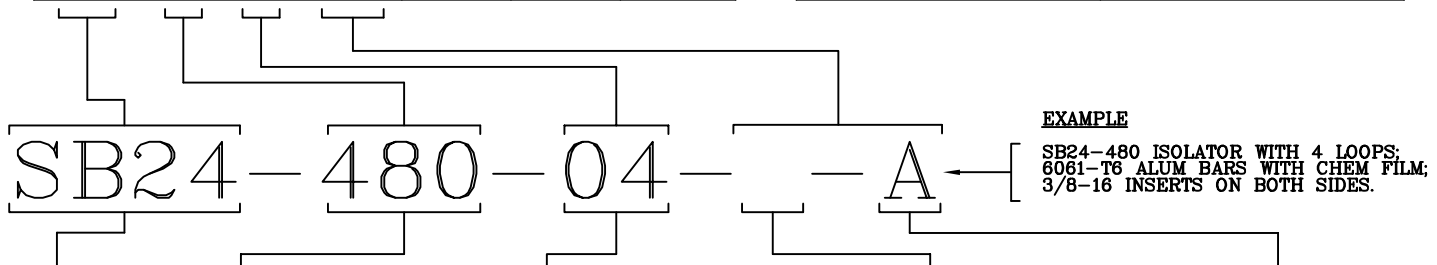
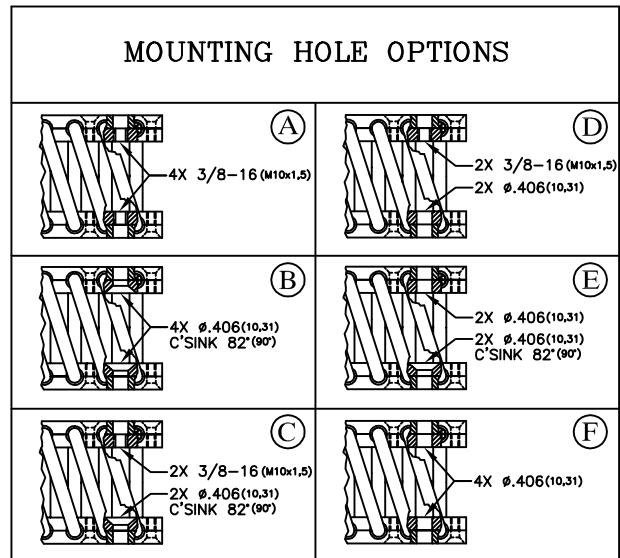


- FEATURES:**
- RUGGED ALL METAL CONSTRUCTION
  - UNEQUALLED TEMP. RANGE: -200°F TO 500°F
  - THREE AXIS CAPABILITY
  - MAINTENANCE FREE
  - FAIL SAFE DESIGN
  - HIGH DAMPING: C/Cc ≈ .20
  - EXCEPTIONAL RELIABILITY AND LONG LIFE
- MATERIALS/FINISHES:**
- CABLE: 300 SERIES SS PER RR-W-410
  - SCREWS: 300 SERIES SS PASSIVATED IAW QQ-P-35C TYPE II
  - INSERTS: 300 SERIES SS PER MS122083 (ALUM BARS ONLY)
  - RETAINER BARS: SEE BELOW

PART NUMBER	DIMENSIONS, in.		ISOLATOR WEIGHT (SEE NOTE 3)
	H ±.06	W (REF)	
SB24 - 400 - 04 - [ ]	4.00 (95,3)	4.65 (111,8)	6.01bs (2,83kg)
SB24 - 440 - 04 - [ ]	4.40 (105,4)	5.55 (134,6)	6.51bs (2,95kg)
SB24 - 480 - 04 - [ ]	4.80 (115,8)	6.25 (152,4)	7.01bs (3,16kg)
SB24 - 520 - 04 - [ ]	5.20 (125,7)	6.75 (165,1)	8.01bs (3,60kg)
SB24 - 550 - 04 - [ ]	5.50 (133,4)	7.25 (184,2)	9.51bs (4,28kg)



**EXAMPLE**

SB24-480 ISOLATOR WITH 4 LOOPS; 6061-T6 ALUM BARS WITH CHEM FILM; 3/8-16 INSERTS ON BOTH SIDES.

- |                           |                            |   |  |  |
|---------------------------|----------------------------|---|--|--|
| <b>SERIES</b>             | <b>MODEL SIZE</b>          | <b>NO. OF CABLE LOOPS</b>   | <b>BAR MATERIAL/FINISH</b>   | <b>MOUNTING HOLES</b>  |
| • CABLE DIAMETER IN 32NDS | • BASED ON ISOLATOR HEIGHT | • 4 LOOPS STANDARD FOR THE SB24 SERIES.<br>• ISOLATOR SPRING RATES ARE DIRECTLY PROPORTIONAL TO NO. OF CABLE LOOPS. | • [ ] = 6061-T6 ALUM ALLOY/CHEM FILM IAW MIL-DTL-5541, TYPE II, CL 3.<br>• [H] = 6061-T6 ALUM ALLOY/ANODIZED IAW MIL-A-8625, TYPE II CLASS 1.<br>• [S] = 300 SERIES SS/PASSIVATED IAW QQ-P-35C, TYPE II. | • SEE MOUNTING HOLE OPTIONS ABOVE.<br>• ADD 'M' TO END OF P/N FOR METRIC MOUNTING HOLES.<br>• ADD 'L' TO END OF P/N FOR LOCKING INSERTS. |

- NOTES:**
- 1) ALL DIMENSIONS IN PARENTHESIS ARE METRIC (mm).
  - 2) SPECIALS AVAILABLE UPON REQUEST (MATERIALS, SIZE, MOUNTING HOLES, FINISH, ETC...)
  - 3) ADD 2.21bs (.99kg) TO ISOLATOR WEIGHT FOR ALL-STAINLESS STEEL VERSIONS.

TOLL FREE : 888-ISOLATOR  
 FAX : (631) 491-5672  
 WEB SITE : www.isolator.com  
 E-MAIL : sales@isolator.com  
 CAGE : 07QQ7

