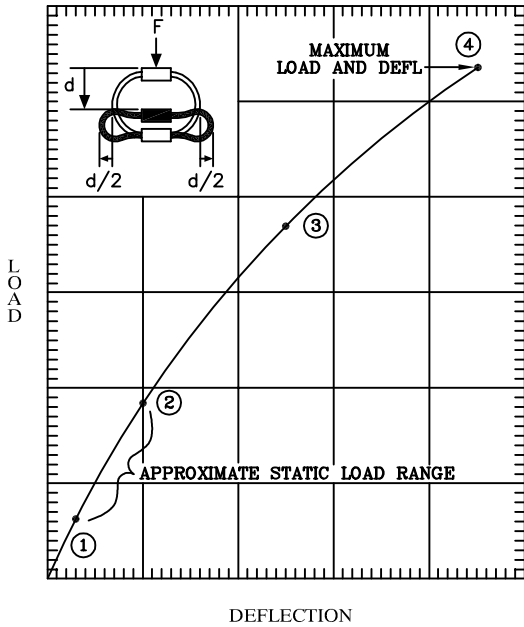
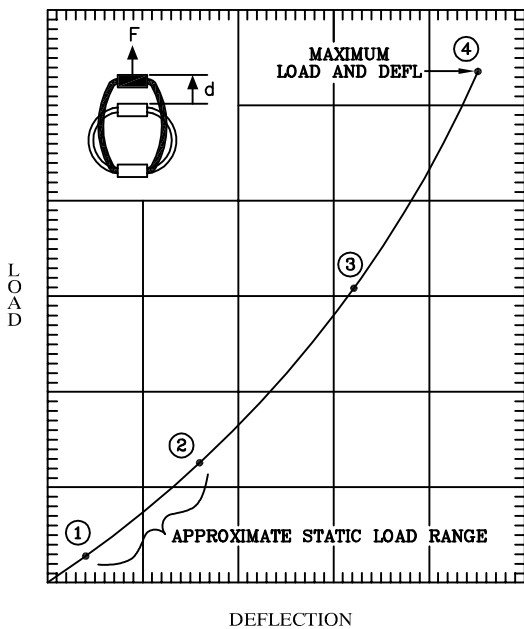


COMPRESSION



PART NO.	①		②		③		④		K _v (VIBE) (lbs/in)	K _s (SHOCK) (lbs/in)
	LOAD (lbs)	DEFL (in)	LOAD (lbs)	DEFL (in)	LOAD (lbs)	DEFL (in)	LOAD (lbs)	DEFL (in)		
SB20-350-04	450	.10	840	.25	1800	.63	3000	1.25	4500	2850
SB20-390-04	300	.10	600	.25	1650	.88	2450	1.75	3000	1875
SB20-430-04	210	.10	420	.25	1250	1.00	1850	2.00	2100	1250
SB20-470-04	138	.10	260	.25	780	1.13	1380	2.25	1375	690
SB20-500-04	90	.10	188	.25	675	1.25	1175	2.50	900	540
SB20-530-04	60	.10	138	.25	585	1.50	1000	3.00	600	390

TENSION



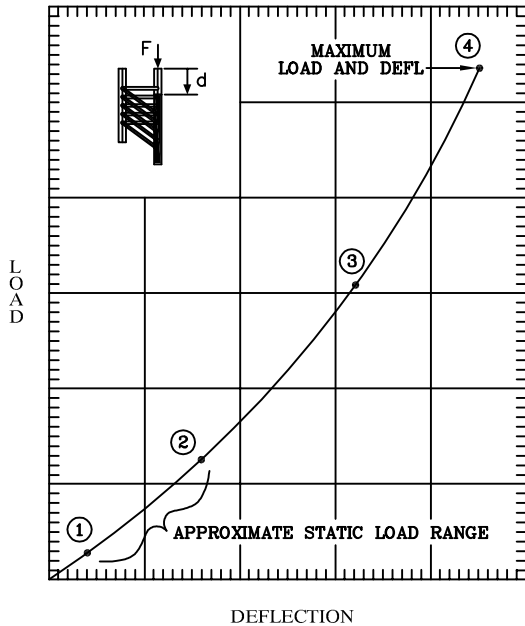
PART NO.	①		②		③		④		K _v (VIBE) (lbs/in)	K _s (SHOCK) (lbs/in)
	LOAD (lbs)	DEFL (in)	LOAD (lbs)	DEFL (in)	LOAD (lbs)	DEFL (in)	LOAD (lbs)	DEFL (in)		
SB20-350-04	500	.10	1175	.25	2150	.32	5400	.63	5000	6700
SB20-390-04	350	.10	840	.25	2000	.44	4950	.88	3500	4500
SB20-430-04	230	.10	588	.25	1500	.50	3750	1.00	2300	3000
SB20-470-04	150	.10	323	.25	950	.56	2350	1.13	1500	1800
SB20-500-04	100	.10	263	.25	800	.63	2000	1.25	1000	1250
SB20-530-04	68	.10	188	.25	700	.75	1750	1.50	675	925

ULTIMATE BREAKING STRENGTH ≈ 30k lbs

TOLL FREE : 888-ISOLATOR
 FAX : (631) 491-5672
 WEB SITE : www.isolator.com
 E-MAIL : sales@isolator.com
 CAGE : 07QQ7

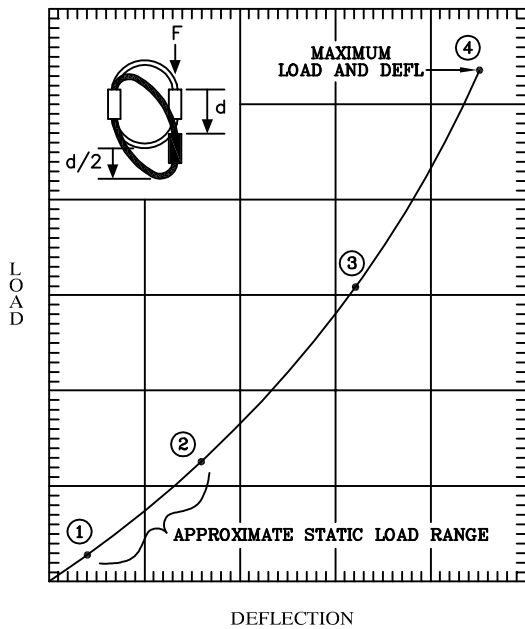


SHEAR



PART NO.	①		②		③		④		K _v (VIBE) (lbs/in)	K _s (SHOCK) (lbs/in)
	LOAD (lbs)	DEFL (in)	LOAD (lbs)	DEFL (in)	LOAD (lbs)	DEFL (in)	LOAD (lbs)	DEFL (in)		
SB20-350-04	113	.10	280	.25	720	.63	2400	1.25	1100	1200
SB20-390-04	75	.10	200	.25	660	.88	1950	1.75	750	800
SB20-430-04	53	.10	138	.25	500	1.00	1500	2.00	500	550
SB20-470-04	35	.10	88	.25	313	1.13	1100	2.25	350	375
SB20-500-04	23	.10	63	.25	270	1.25	950	2.50	225	250
SB20-530-04	15	.10	45	.25	238	1.50	800	3.00	150	175

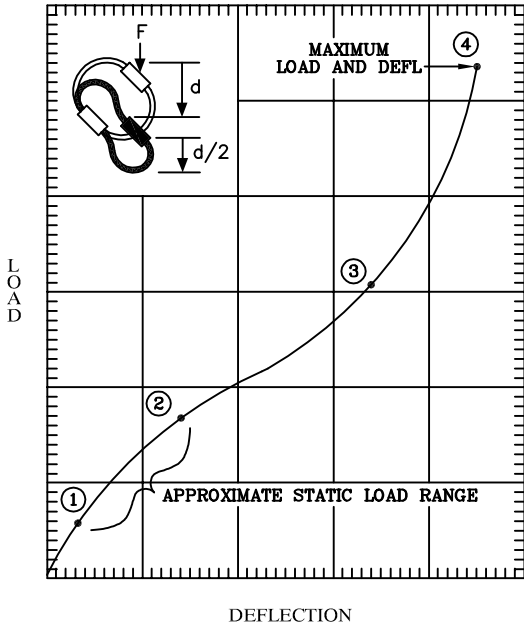
ROLL



PART NO.	①		②		③		④		K _v (VIBE) (lbs/in)	K _s (SHOCK) (lbs/in)
	LOAD (lbs)	DEFL (in)	LOAD (lbs)	DEFL (in)	LOAD (lbs)	DEFL (in)	LOAD (lbs)	DEFL (in)		
SB20-350-04	113	.10	280	.25	720	.63	2400	1.25	1100	1200
SB20-390-04	75	.10	200	.25	660	.88	1950	1.75	750	800
SB20-430-04	53	.10	138	.25	500	1.00	1500	2.00	500	550
SB20-470-04	35	.10	88	.25	313	1.13	1100	2.25	350	375
SB20-500-04	23	.10	63	.25	270	1.25	950	2.50	225	250
SB20-530-04	15	.10	45	.25	238	1.50	800	3.00	150	175

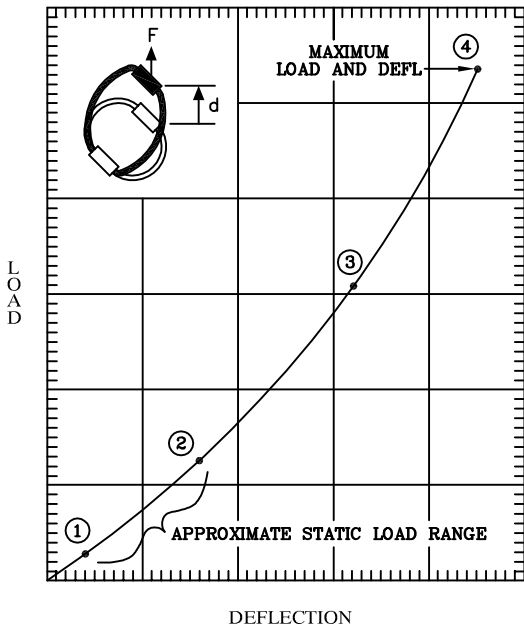


45° COMPRESSION/ROLL



PART NO.	①		②		③		④		K _v (VIBE) (lbs/in)	K _s (SHOCK) (lbs/in)
	LOAD (lbs)	DEFL (in)	LOAD (lbs)	DEFL (in)	LOAD (lbs)	DEFL (in)	LOAD (lbs)	DEFL (in)		
SB20-350-04	263	.10	563	.25	1500	1.25	1875	1.75	2625	1200
SB20-390-04	175	.10	400	.25	1250	1.75	1563	2.50	1750	750
SB20-430-04	125	.10	275	.25	950	2.00	1200	2.75	1250	450
SB20-470-04	80	.10	175	.25	700	2.25	875	3.15	800	350
SB20-500-04	55	.10	120	.25	600	2.50	750	3.50	550	250
SB20-530-04	35	.10	80	.25	500	3.00	625	4.25	350	175

45° TENSION/ROLL



PART NO.	①		②		③		④		K _v (VIBE) (lbs/in)	K _s (SHOCK) (lbs/in)
	LOAD (lbs)	DEFL (in)	LOAD (lbs)	DEFL (in)	LOAD (lbs)	DEFL (in)	LOAD (lbs)	DEFL (in)		
SB20-350-04	288	.10	725	.25	1600	.44	4000	.88	2875	3600
SB20-390-04	188	.10	525	.25	1500	.63	3750	1.25	1875	2350
SB20-430-04	138	.10	363	.25	1200	.70	3000	1.40	1375	1700
SB20-470-04	88	.10	225	.25	875	.80	2200	1.60	875	1100
SB20-500-04	63	.10	175	.25	700	.88	1750	1.75	625	800
SB20-530-04	38	.10	113	.25	540	1.00	1350	2.00	375	525

TOLL FREE : 888-ISOLATOR
 FAX : (631) 491-5672
 WEB SITE : www.isolator.com
 E-MAIL : sales@isolator.com
 CAGE : 07QQ7

