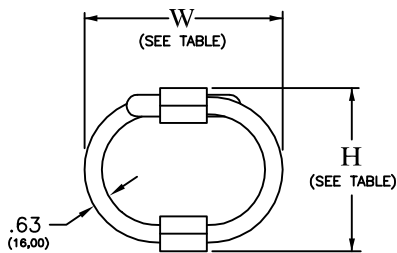
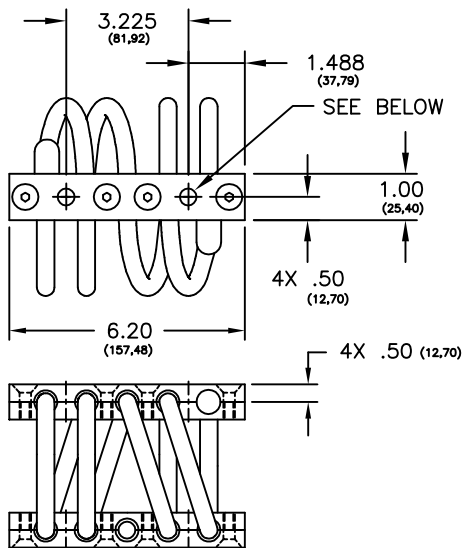


DESIGN DATA

SB20 SERIES

5/8" DIAMETER CABLE

SHOCK & VIBRATION ISOLATORS



FEATURES:

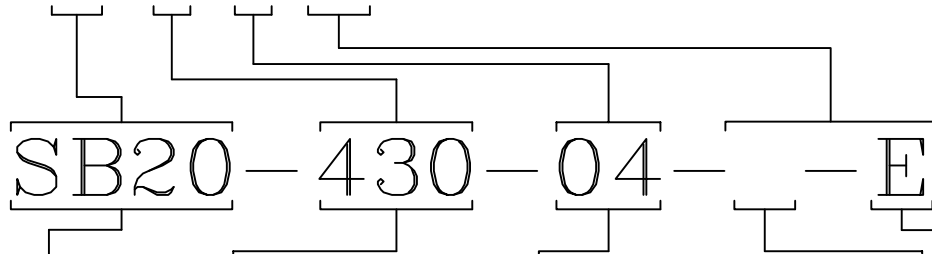
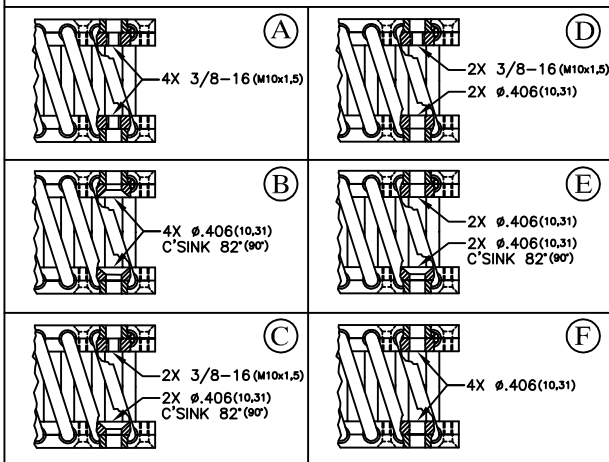
- RUGGED ALL METAL CONSTRUCTION
- UNEQUALLED TEMP. RANGE: -200°F TO 500°F
- THREE AXIS CAPABILITY
- MAINTENANCE FREE
- FAIL SAFE DESIGN
- HIGH DAMPING: C/Cc ≈ .20
- EXCEPTIONAL RELIABILITY AND LONG LIFE

MATERIALS/FINISHES:

- CABLE: 300 SERIES SS PER RR-W-410
- SCREWS: 300 SERIES SS PASSIVATED IAW QQ-P-35C TYPE II
- INSERTS: 300 SERIES SS PER MS122083 (ALUM BARS ONLY)
- RETAINER BARS: SEE BELOW

PART NUMBER	DIMENSIONS, in.		ISOLATOR WEIGHT (SEE NOTE 3)
	H ±.06	W (REF)	
SB20 - 350 - 04 - []	3.50 (88,9)	4.00 (101,6)	3.71lbs (1,69kg)
SB20 - 390 - 04 - []	3.90 (99,1)	4.40 (111,8)	4.11lbs (1,88kg)
SB20 - 430 - 04 - []	4.30 (109,2)	5.30 (134,6)	4.61lbs (2,10kg)
SB20 - 470 - 04 - []	4.70 (119,4)	6.00 (152,4)	5.11lbs (2,33kg)
SB20 - 500 - 04 - []	5.00 (127,0)	6.50 (165,1)	5.51lbs (2,50kg)
SB20 - 530 - 04 - []	5.30 (134,6)	7.00 (177,8)	5.91lbs (2,68kg)

MOUNTING HOLE OPTIONS



EXAMPLE

SB20-430 ISOLATOR WITH 4 LOOPS; 6061-T6 ALUM BARS WITH CHEM FILM; ø.406 THRU HOLES ON ONE SIDE, 82° CSK ON OTHER SIDE.

SERIES MODEL SIZE NO. OF CABLE LOOPS BAR MATERIAL/FINISH MOUNTING HOLES

• CABLE DIAMETER IN 32NDS

• BASED ON ISOLATOR HEIGHT

• 4 LOOPS STANDARD FOR THE SB20 SERIES.
• ISOLATOR SPRING RATES ARE DIRECTLY PROPORTIONAL TO NO. OF CABLE LOOPS.

• [] = 6061-T6 ALUM ALLOY/CHEM FILM IAW MIL-DTL-5541, TYPE II, CL 3.
• [H] = 6061-T6 ALUM ALLOY/ANODIZED IAW MIL-A-8825, TYPE II CLASS 1.
• [s] = 300 SERIES SS/PASSIVATED IAW QQ-P-35C, TYPE II.

• SEE MOUNTING HOLE OPTIONS ABOVE.
• ADD 'M' TO END OF P/N FOR METRIC MOUNTING HOLES.
• ADD 'L' TO END OF P/N FOR LOCKING INSERTS.

NOTES:

- 1) ALL DIMENSIONS IN PARENTHESIS ARE METRIC (mm).
- 2) SPECIALS AVAILABLE UPON REQUEST (MATERIALS, SIZE, MOUNTING HOLES, FINISH, ETC...)
- 3) ADD 1.5lbs (.65kg) TO ISOLATOR WEIGHT FOR ALL-STAINLESS STEEL VERSIONS.

TOLL FREE : 888-ISOLATOR
FAX : (631) 491-5672
WEB SITE : www.isolator.com
E-MAIL : sales@isolator.com
CAGE : 07QQ7

