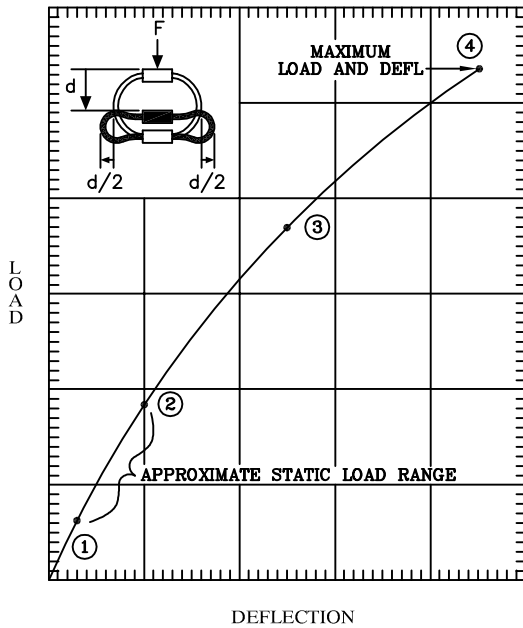
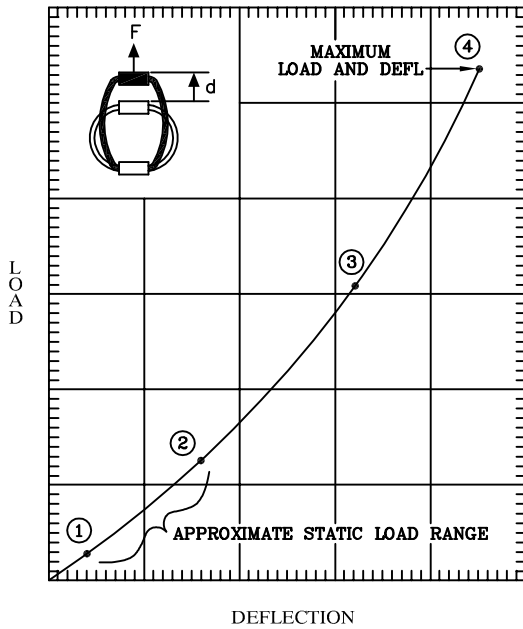


COMPRESSION



PART NO.	①		②		③		④		K <sub>v</sub> (VIBE) (lbs/in)	K <sub>s</sub> (SHOCK) (lbs/in)
	LOAD (lbs)	DEFL (in)	LOAD (lbs)	DEFL (in)	LOAD (lbs)	DEFL (in)	LOAD (lbs)	DEFL (in)		
SB16-325-04	300	.10	463	.25	1000	.75	1380	1.50	3000	1350
SB16-350-04	210	.10	350	.25	870	.88	1230	1.75	2100	990
SB16-375-04	165	.10	270	.25	750	1.00	1050	2.00	1650	750
SB16-425-04	90	.10	150	.25	540	1.25	785	2.50	900	435
SB16-490-04	70	.10	120	.25	500	1.50	720	3.00	700	335
SB16-540-04	50	.10	80	.25	410	1.75	675	3.50	500	235
SB16-610-04	40	.10	65	.25	325	2.00	515	4.00	400	163

TENSION



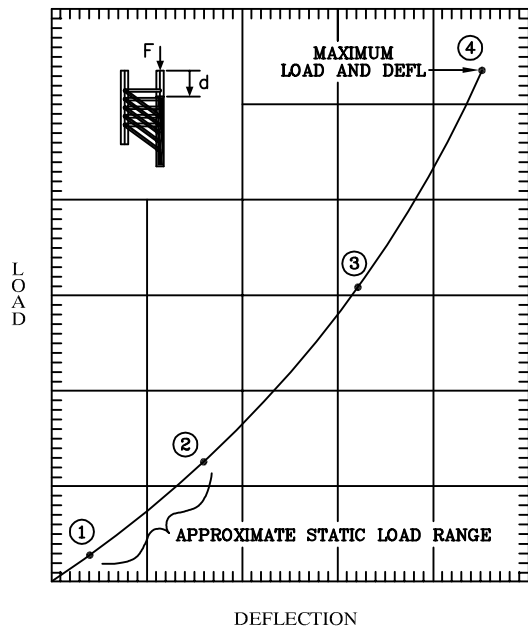
PART NO.	①		②		③		④		K <sub>v</sub> (VIBE) (lbs/in)	K <sub>s</sub> (SHOCK) (lbs/in)
	LOAD (lbs)	DEFL (in)	LOAD (lbs)	DEFL (in)	LOAD (lbs)	DEFL (in)	LOAD (lbs)	DEFL (in)		
SB16-325-04	313	.10	675	.25	1250	.38	3000	.75	3125	3300
SB16-350-04	230	.10	500	.25	1040	.44	2600	.88	2300	2400
SB16-375-04	175	.10	375	.25	925	.50	2250	1.00	1750	1375
SB16-425-04	100	.10	210	.25	675	.63	1625	1.25	1000	1075
SB16-490-04	75	.10	170	.25	600	.75	1500	1.50	750	800
SB16-540-04	53	.10	113	.25	525	.88	1250	1.75	525	600
SB16-610-04	40	.10	90	.25	413	1.00	975	2.00	413	425

ULTIMATE BREAKING STRENGTH ≈ 25k lbs

TOLL FREE : 888-ISOLATOR  
 FAX : (631) 491-5672  
 WEB SITE : www.isolator.com  
 E-MAIL : sales@isolator.com  
 CAGE : 07QQ7

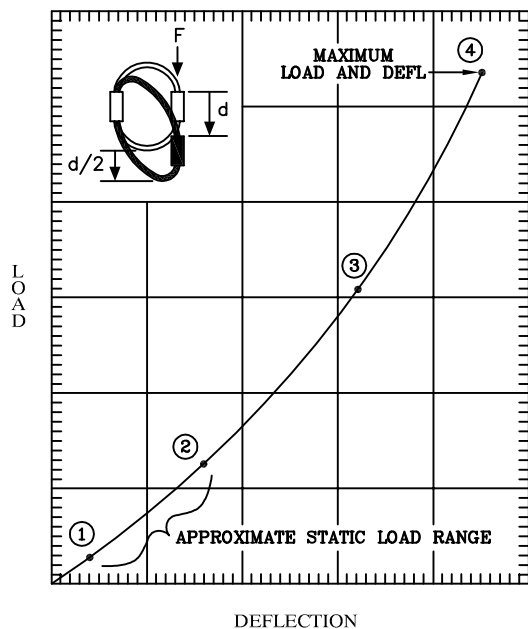


**SHEAR**

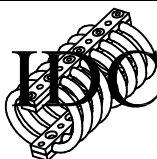


PART NO.	①		②		③		④		K <sub>v</sub> (VIBE) (lbs/in)	K <sub>s</sub> (SHOCK) (lbs/in)
	LOAD (lbs)	DEFL (in)	LOAD (lbs)	DEFL (in)	LOAD (lbs)	DEFL (in)	LOAD (lbs)	DEFL (in)		
SB16-325-04	75	.10	155	.25	400	.75	1100	1.50	750	800
SB16-350-04	53	.10	115	.25	350	.88	1000	1.75	525	575
SB16-375-04	43	.10	90	.25	300	1.00	840	2.00	425	475
SB16-425-04	23	.10	50	.25	213	1.25	625	2.50	225	250
SB16-490-04	16	.10	40	.25	200	1.50	575	3.00	175	200
SB16-540-04	13	.10	28	.25	165	1.75	540	3.50	125	150
SB16-610-04	10	.10	23	.25	125	2.00	413	4.00	100	125

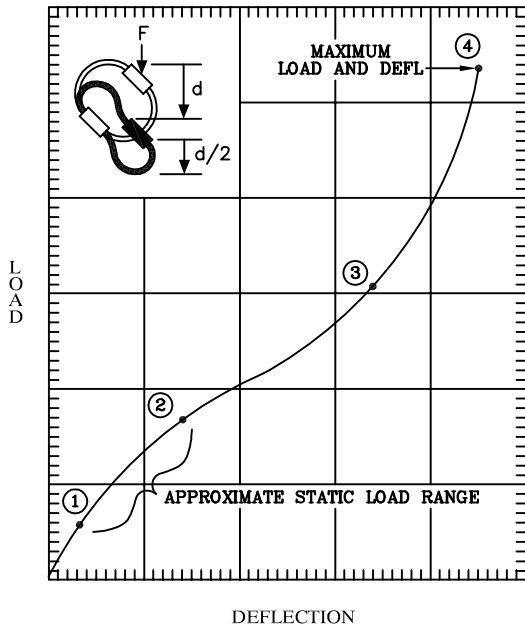
**ROLL**



PART NO.	①		②		③		④		K <sub>v</sub> (VIBE) (lbs/in)	K <sub>s</sub> (SHOCK) (lbs/in)
	LOAD (lbs)	DEFL (in)	LOAD (lbs)	DEFL (in)	LOAD (lbs)	DEFL (in)	LOAD (lbs)	DEFL (in)		
SB16-325-04	75	.10	155	.25	400	.75	1100	1.50	750	800
SB16-350-04	53	.10	115	.25	350	.88	1000	1.75	525	575
SB16-375-04	43	.10	90	.25	300	1.00	840	2.00	425	475
SB16-425-04	23	.10	50	.25	213	1.25	625	2.50	225	250
SB16-490-04	16	.10	40	.25	200	1.50	575	3.00	175	200
SB16-540-04	13	.10	28	.25	165	1.75	540	3.50	125	150
SB16-610-04	10	.10	23	.25	125	2.00	413	4.00	100	125

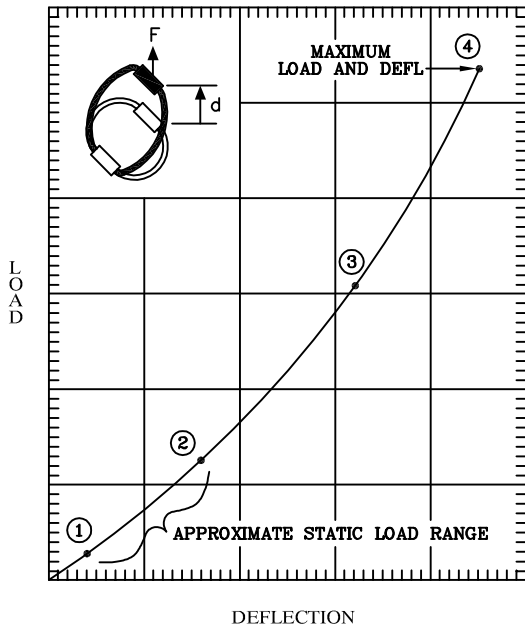


**45° COMPRESSION/ROLL**



PART NO.	①		②		③		④		K <sub>v</sub> (VIBE) (lbs/in)	K <sub>s</sub> (SHOCK) (lbs/in)
	LOAD (lbs)	DEFL (in)	LOAD (lbs)	DEFL (in)	LOAD (lbs)	DEFL (in)	LOAD (lbs)	DEFL (in)		
SB16-325-04	188	.10	313	.25	700	1.50	875	2.10	1875	625
SB16-350-04	130	.10	233	.25	625	1.75	780	2.50	1300	375
SB16-375-04	103	.10	180	.25	525	2.00	663	2.80	1025	275
SB16-425-04	58	.10	100	.25	400	2.50	500	3.50	575	175
SB16-490-04	45	.10	80	.25	363	3.00	460	4.20	450	125
SB16-540-04	33	.10	60	.25	338	3.50	425	5.00	325	100
SB16-610-04	25	.10	45	.25	280	4.00	325	5.60	250	75

**45° TENSION/ROLL**



PART NO.	①		②		③		④		K <sub>v</sub> (VIBE) (lbs/in)	K <sub>s</sub> (SHOCK) (lbs/in)
	LOAD (lbs)	DEFL (in)	LOAD (lbs)	DEFL (in)	LOAD (lbs)	DEFL (in)	LOAD (lbs)	DEFL (in)		
SB16-325-04	200	.10	413	.25	1000	.50	2500	1.00	2000	2400
SB16-350-04	138	.10	313	.25	950	.63	2375	1.25	1375	1500
SB16-375-04	113	.10	328	.25	850	.75	2125	1.50	1125	1200
SB16-425-04	63	.10	125	.25	550	.88	1300	1.75	625	675
SB16-490-04	50	.10	105	.25	513	1.00	1250	2.00	500	550
SB16-540-04	38	.10	70	.25	420	1.25	1050	2.50	375	400
SB16-610-04	28	.10	60	.25	400	1.38	1000	2.75	325	350

