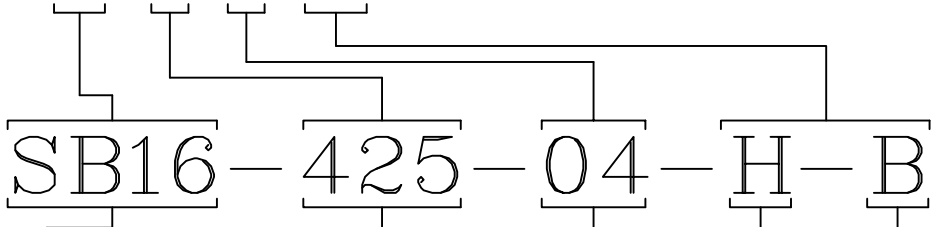
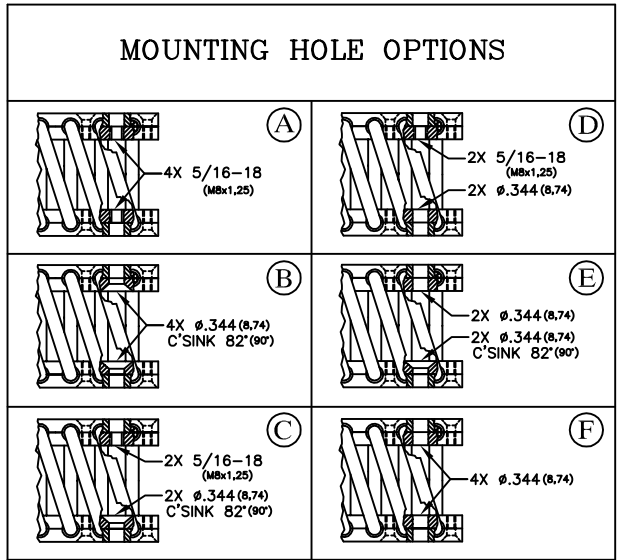


- FEATURES:**
- RUGGED ALL METAL CONSTRUCTION
 - UNEQUALLED TEMP. RANGE: -200°F TO 500°F
 - THREE AXIS CAPABILITY
 - MAINTENANCE FREE
 - FAIL SAFE DESIGN
 - HIGH DAMPING: C/Cc ≈ .20
 - EXCEPTIONAL RELIABILITY AND LONG LIFE
- MATERIALS/FINISHES:**
- CABLE: 300 SERIES SS PER RR-W-410
 - SCREWS: 300 SERIES SS PASSIVATED IAW QQ-P-35C TYPE II
 - INSERTS: 300 SERIES SS PER MS122082 (ALUM BARS ONLY)
 - RETAINER BARS: SEE BELOW

PART NUMBER	DIMENSIONS, in.		ISOLATOR WEIGHT (SEE NOTE 3)
	H ± .06	W (REF)	
SB16 - 325 - 04 - []	3.25 (82,6)	4.00 (101,6)	2.0lbs (0,89kg)
SB16 - 350 - 04 - []	3.50 (88,9)	4.13 (104,9)	2.1lbs (0,96kg)
SB16 - 375 - 04 - []	3.75 (95,3)	4.75 (120,7)	2.3lbs (1,02kg)
SB16 - 425 - 04 - []	4.25 (108,0)	5.25 (133,4)	2.5lbs (1,12kg)
SB16 - 490 - 04 - []	4.90 (124,5)	5.65 (143,5)	2.7lbs (1,22kg)
SB16 - 540 - 04 - []	5.40 (137,2)	6.13 (155,7)	3.0lbs (1,34kg)
SB16 - 610 - 04 - []	6.10 (154,9)	7.10 (180,3)	3.3lbs (1,49kg)



EXAMPLE:
SB16-425 ISOLATOR WITH 4 LOOPS; 6061-T6 ALUM BARS WITH ANODIZE; 82° CSK THRU HOLES ON BOTH SIDES.

- | | | | | |
|---------------------------|----------------------------|---|--|--|
| SERIES | MODEL SIZE | NO. OF CABLE LOOPS | BAR MATERIAL/FINISH | MOUNTING HOLES |
| • CABLE DIAMETER IN 32NDS | • BASED ON ISOLATOR HEIGHT | • 4 LOOPS STANDARD FOR THE SB16 SERIES.
• ISOLATOR SPRING RATES ARE DIRECTLY PROPORTIONAL TO NO. OF CABLE LOOPS. | • [] = 6061-T6 ALUM ALLOY/CHEM FILM IAW MIL-DTL-5541, TYPE II, CL 3.
• [H] = 6061-T6 ALUM ALLOY/ANODIZED IAW MIL-A-8625, TYPE II CLASS 1.
• [S] = 300 SERIES SS/PASSIVATED IAW QQ-P-35C, TYPE II. | • SEE MOUNTING HOLE OPTIONS ABOVE.
• ADD 'M' TO END OF P/N FOR METRIC MOUNTING HOLES.
• ADD 'L' TO END OF P/N FOR LOCKING INSERTS. |

- NOTES:**
- 1) ALL DIMENSIONS IN PARENTHESIS ARE METRIC (mm).
 - 2) SPECIALS AVAILABLE UPON REQUEST (MATERIALS, SIZE, MOUNTING HOLES, FINISH, ETC...)
 - 3) ADD .89lbs (.40kg) TO ISOLATOR WEIGHT FOR ALL-STAINLESS STEEL VERSIONS.

TOLL FREE : 888-ISOLATOR
FAX : (631) 491-5672
WEB SITE : www.isolator.com
E-MAIL : sales@isolator.com
CAGE : 07Q07

