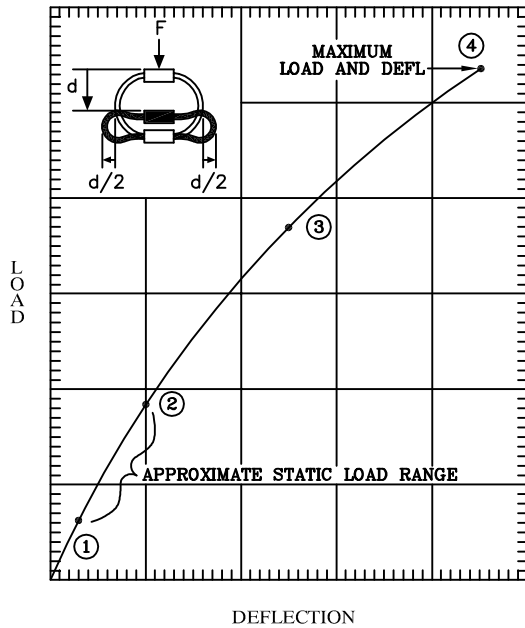
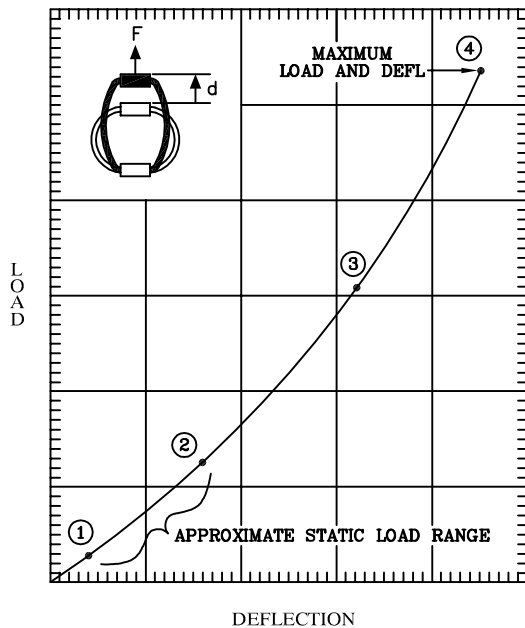


COMPRESSION



PART NO.	①		②		③		④		K _v (VIBE) (lbs/in)	K _s (SHOCK) (lbs/in)
	LOAD (lbs)	DEFL (in)	LOAD (lbs)	DEFL (in)	LOAD (lbs)	DEFL (in)	LOAD (lbs)	DEFL (in)		
SB12-280-04	150	.10	275	.25	540	.70	740	1.40	750	388
SB12-290-04	110	.10	225	.25	470	.75	625	1.50	550	313
SB12-300-04	85	.10	163	.25	360	.80	515	1.60	425	225
SB12-323-04	60	.10	113	.25	300	.90	450	1.80	300	169
SB12-350-04	45	.10	90	.25	288	1.00	420	2.00	225	144
SB12-413-04	35	.10	70	.25	250	1.35	363	2.70	175	94
SB12-423-04	25	.10	55	.25	200	1.40	313	2.80	125	72

TENSION

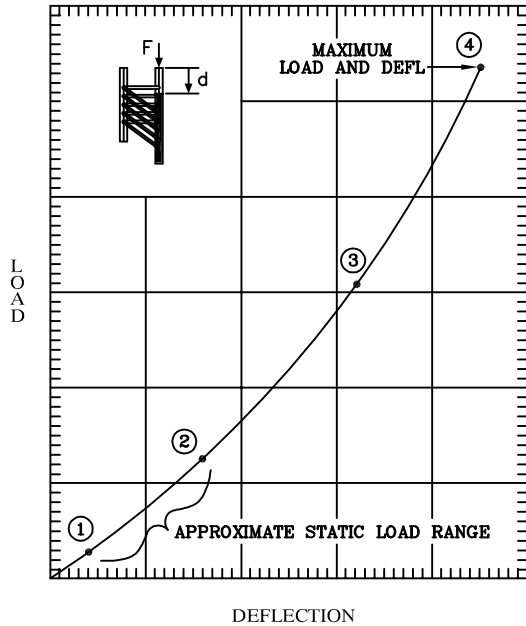


PART NO.	①		②		③		④		K _v (VIBE) (lbs/in)	K _s (SHOCK) (lbs/in)
	LOAD (lbs)	DEFL (in)	LOAD (lbs)	DEFL (in)	LOAD (lbs)	DEFL (in)	LOAD (lbs)	DEFL (in)		
SB12-280-04	165	.10	385	.25	650	.35	1625	.70	1665	1900
SB12-290-04	120	.10	315	.25	565	.38	1410	.75	1200	1500
SB12-300-04	95	.10	225	.25	433	.40	1080	.80	950	1100
SB12-323-04	65	.10	158	.25	360	.45	900	.90	650	800
SB12-350-04	50	.10	125	.25	338	.50	850	1.00	500	675
SB12-413-04	40	.10	100	.25	300	.68	750	1.35	400	475
SB12-423-04	30	.10	75	.25	240	.70	600	1.40	300	375

ULTIMATE BREAKING STRENGTH ≈ 20k lbs

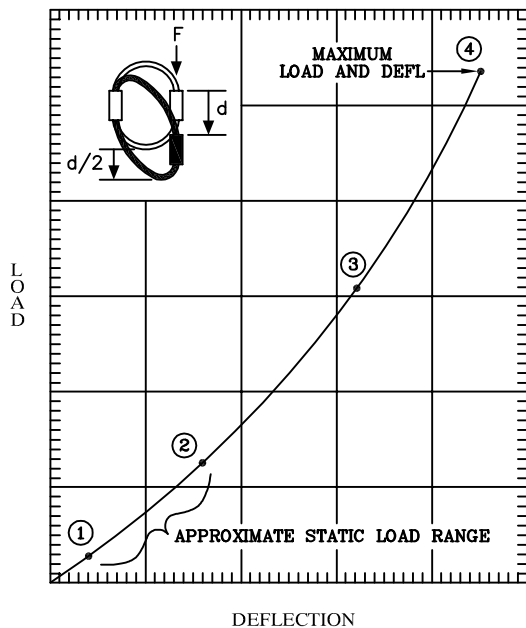


SHEAR



PART NO.	①		②		③		④		K _v (VIBE) (lbs/in)	K _s (SHOCK) (lbs/in)
	LOAD (lbs)	DEFL (in)	LOAD (lbs)	DEFL (in)	LOAD (lbs)	DEFL (in)	LOAD (lbs)	DEFL (in)		
SB12-280-04	38	.10	90	.25	215	.70	590	1.40	375	400
SB12-290-04	28	.10	75	.25	188	.75	500	1.50	275	300
SB12-300-04	21	.10	55	.25	145	.80	413	1.60	210	225
SB12-323-04	15	.10	38	.25	120	.90	360	1.80	150	163
SB12-350-04	11	.10	30	.25	113	1.00	335	2.00	110	125
SB12-413-04	9	.10	23	.25	100	1.35	290	2.70	85	95
SB12-423-04	6	.10	19	.25	80	1.40	250	2.80	60	65

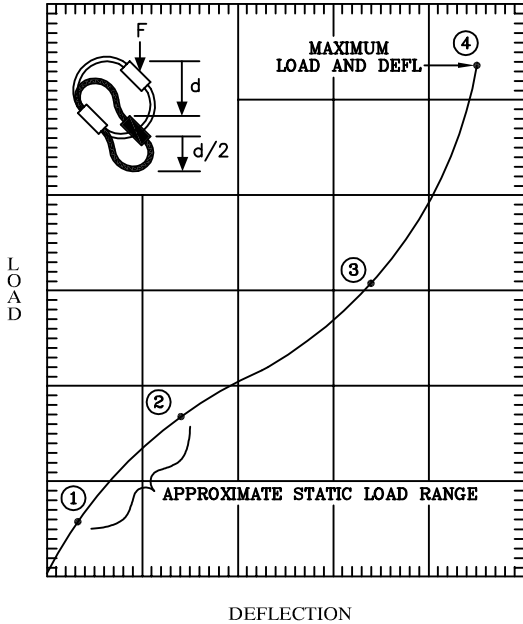
ROLL



PART NO.	①		②		③		④		K _v (VIBE) (lbs/in)	K _s (SHOCK) (lbs/in)
	LOAD (lbs)	DEFL (in)	LOAD (lbs)	DEFL (in)	LOAD (lbs)	DEFL (in)	LOAD (lbs)	DEFL (in)		
SB12-280-04	38	.10	90	.25	215	.70	590	1.40	375	400
SB12-290-04	28	.10	75	.25	188	.75	500	1.50	275	300
SB12-300-04	21	.10	55	.25	145	.80	413	1.60	210	225
SB12-323-04	15	.10	38	.25	120	.90	360	1.80	150	163
SB12-350-04	11	.10	30	.25	113	1.00	335	2.00	110	125
SB12-413-04	9	.10	23	.25	100	1.35	290	2.70	85	95
SB12-423-04	6	.10	19	.25	80	1.40	250	2.80	60	65

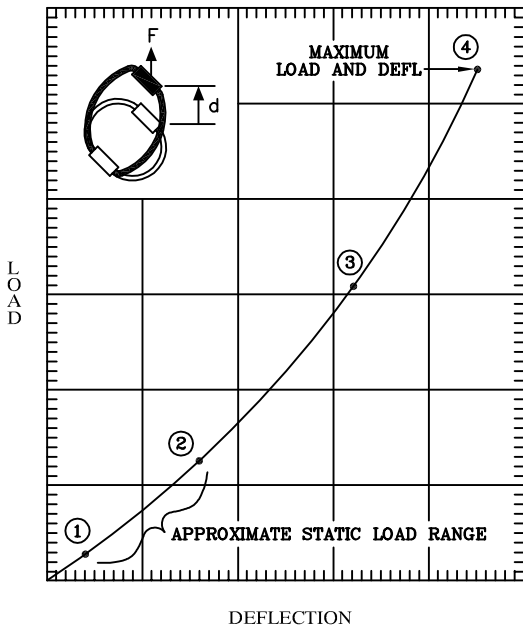


45° COMPRESSION/ROLL



PART NO.	①		②		③		④		K _v (VIBE) (lbs/in)	K _s (SHOCK) (lbs/in)
	LOAD (lbs)	DEFL (in)	LOAD (lbs)	DEFL (in)	LOAD (lbs)	DEFL (in)	LOAD (lbs)	DEFL (in)		
SB12-280-04	90	.10	185	.25	370	1.40	463	2.00	900	265
SB12-290-04	70	.10	150	.25	313	1.50	390	2.10	700	210
SB12-300-04	53	.10	110	.25	258	1.60	325	2.25	525	160
SB12-323-04	38	.10	78	.25	225	1.80	280	2.50	375	125
SB12-350-04	28	.10	60	.25	210	2.00	263	2.80	275	105
SB12-413-04	22	.10	45	.25	180	2.70	225	3.80	215	70
SB12-423-04	15	.10	33	.25	155	2.80	195	4.00	150	55

45° TENSION/ROLL



PART NO.	①		②		③		④		K _v (VIBE) (lbs/in)	K _s (SHOCK) (lbs/in)
	LOAD (lbs)	DEFL (in)	LOAD (lbs)	DEFL (in)	LOAD (lbs)	DEFL (in)	LOAD (lbs)	DEFL (in)		
SB12-280-04	100	.10	238	.25	570	.50	1425	1.00	1000	1150
SB12-290-04	78	.10	195	.25	470	.50	1175	1.00	775	950
SB12-300-04	58	.10	140	.25	370	.55	925	1.10	575	675
SB12-323-04	43	.10	98	.25	280	.60	700	1.20	425	475
SB12-350-04	30	.10	78	.25	265	.70	663	1.40	300	375
SB12-413-04	24	.10	60	.25	255	.95	638	1.90	240	275
SB12-423-04	17	.10	45	.25	220	1.00	550	2.00	165	225

TOLL FREE : 888-ISOLATOR
 FAX : (631) 491-5672
 WEB SITE : www.isolator.com
 E-MAIL : sales@isolator.com
 CAGE : 07QQ7

