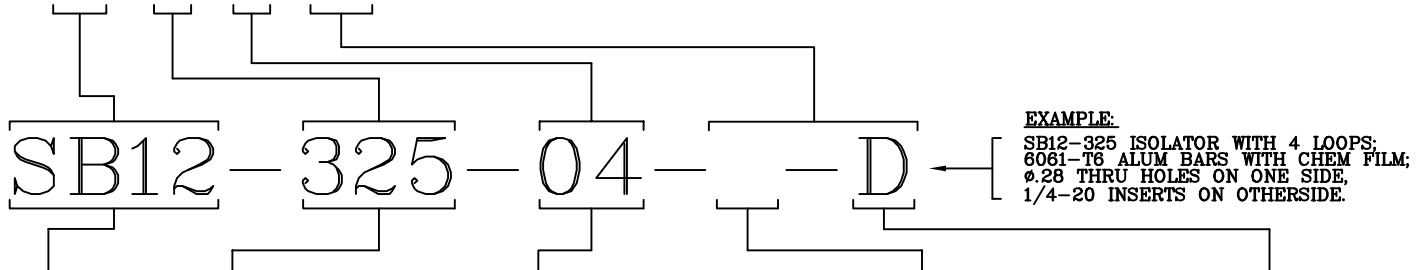
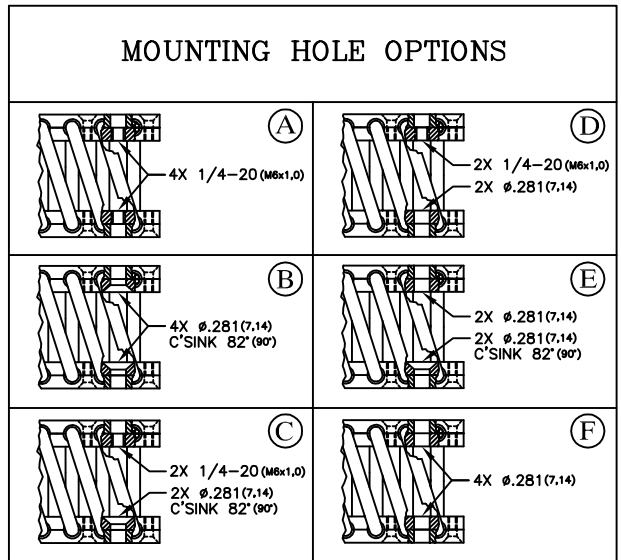


- FEATURES:**
- RUGGED ALL METAL CONSTRUCTION
 - UNEQUALLED TEMP. RANGE: -200°F TO 500°F
 - THREE AXIS CAPABILITY
 - MAINTENANCE FREE
 - FAIL SAFE DESIGN
 - HIGH DAMPING: C/Cc ≈ .20
 - EXCEPTIONAL RELIABILITY AND LONG LIFE
- MATERIALS/FINISHES:**
- CABLE: 300 SERIES SS PER RR-W-410
 - SCREWS: 300 SERIES SS PASSIVATED IAW QQ-P-35C TYPE II
 - INSERTS: 300 SERIES SS PER NAS1130-4-10 (ALUM BARS ONLY)
 - RETAINER BARS: SEE BELOW

PART NUMBER	DIMENSIONS, in.		ISOLATOR WEIGHT (SEE NOTE 3)
	H ±.04	W (REF)	
SB12 - 280 - 04 - []	2.80 (71.1)	3.31 (84.1)	1.3lbs (.59kg)
SB12 - 290 - 04 - []	2.90 (73.7)	3.50 (88.9)	1.4lbs (.62kg)
SB12 - 300 - 04 - []	3.00 (76.2)	4.13 (104.9)	1.5lbs (.67kg)
SB12 - 325 - 04 - []	3.25 (82.6)	4.25 (108.0)	1.5lbs (.70kg)
SB12 - 350 - 04 - []	3.50 (88.9)	4.25 (108.0)	1.6lbs (.73kg)
SB12 - 413 - 04 - []	4.13 (104.9)	4.75 (120.7)	1.7lbs (.76kg)
SB12 - 425 - 04 - []	4.25 (108.0)	5.50 (139.7)	1.8lbs (.83kg)



- | SERIES | MODEL SIZE | NO. OF CABLE LOOPS | BAR MATERIAL/FINISH | MOUNTING HOLES |
|---------------------------|----------------------------|---|--|--|
| • CABLE DIAMETER IN 32NDS | • BASED ON ISOLATOR HEIGHT | • 4 LOOPS STANDARD FOR THE SB12 SERIES.
• ISOLATOR SPRING RATES ARE DIRECTLY PROPORTIONAL TO NO. OF CABLE LOOPS. | • [] = 6061-T6 ALUM ALLOY/CHEM FILM IAW MIL-DTL-5541, TYPE II, CL 3.
• [H] = 6061-T6 ALUM ALLOY/ANODIZED IAW MIL-A-8625, TYPE II CLASS 1.
• [S] = 300 SERIES SS/PASSIVATED IAW QQ-P-35C, TYPE II. | • SEE MOUNTING HOLE OPTIONS ABOVE.
• ADD 'M' TO END OF P/N FOR METRIC MOUNTING HOLES.
• ADD 'L' TO END OF P/N FOR LOCKING INSERTS. |

- NOTES:**
- 1) ALL DIMENSIONS IN PARENTHESIS ARE METRIC (mm).
 - 2) SPECIALS AVAILABLE UPON REQUEST (MATERIALS, SIZE, MOUNTING HOLES, FINISH, ETC...)
 - 3) ADD .77lbs (.35kg) TO ISOLATOR WEIGHT FOR ALL-STAINLESS STEEL VERSIONS.

TOLL FREE : 888-ISOLATOR
 FAX : (631) 491-5672
 WEB SITE : www.isolator.com
 E-MAIL : sales@isolator.com
 CAGE : 07QQ7

