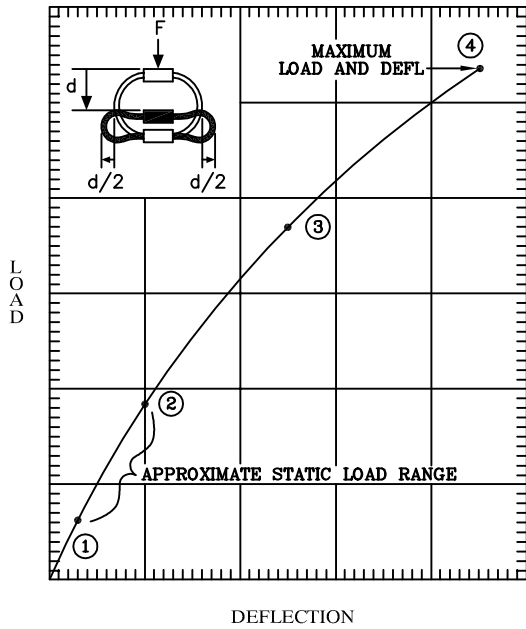
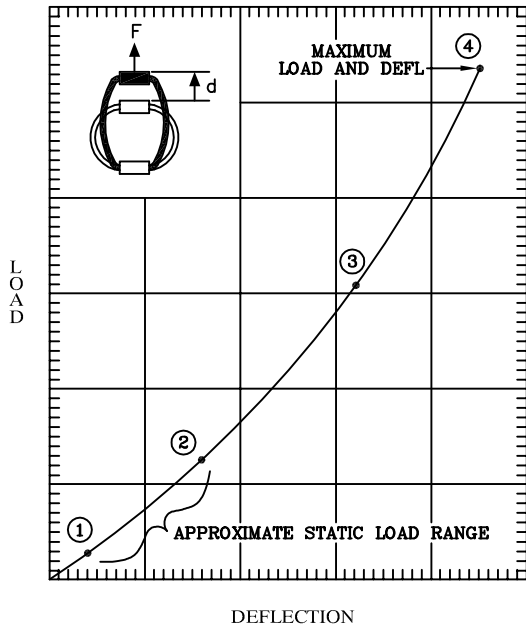


COMPRESSION



PART NO.	①		②		③		④		K _v (VIBE) (lbs/in)	K _s (SHOCK) (lbs/in)
	LOAD (lbs)	DEFL (in)	LOAD (lbs)	DEFL (in)	LOAD (lbs)	DEFL (in)	LOAD (lbs)	DEFL (in)		
M8-190-08	75	.05	135	.10	410	.40	650	.80	1500	1025
M8-213-08	60	.05	110	.10	370	.50	530	1.00	1200	740
M8-231-08	40	.05	70	.10	275	.60	420	1.20	800	460
M8-245-08	30	.05	55	.10	250	.70	380	1.40	600	360
M8-255-08	22	.05	40	.10	180	.70	300	1.40	440	260
M8-260-08	17	.05	30	.10	160	.80	265	1.60	340	200
M8-270-08	13	.05	24	.10	140	.80	230	1.60	260	175
M8-325-08	10	.05	18	.10	120	1.00	205	2.00	200	120

TENSION

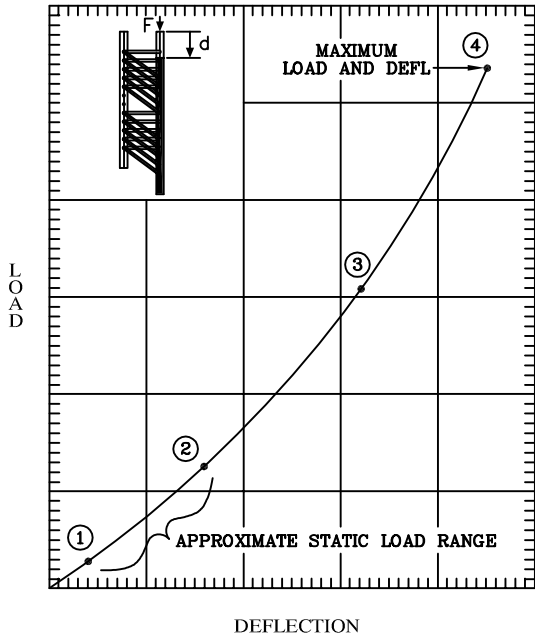


PART NO.	①		②		③		④		K _v (VIBE) (lbs/in)	K _s (SHOCK) (lbs/in)
	LOAD (lbs)	DEFL (in)	LOAD (lbs)	DEFL (in)	LOAD (lbs)	DEFL (in)	LOAD (lbs)	DEFL (in)		
M8-190-08	83	.05	190	.10	490	.20	1230	.40	1660	2450
M8-213-08	66	.05	155	.10	445	.25	1110	.50	1320	1780
M8-231-08	44	.05	100	.10	330	.30	825	.60	880	1100
M8-245-08	33	.05	77	.10	300	.35	750	.70	660	860
M8-255-08	24	.05	56	.10	215	.35	540	.70	480	610
M8-260-08	19	.05	42	.10	190	.40	480	.80	380	475
M8-270-08	15	.05	34	.10	170	.40	420	.80	300	425
M8-325-08	11	.05	25	.10	145	.50	360	1.00	220	290

ULTIMATE BREAKING STRENGTH ≈ 7k lbs

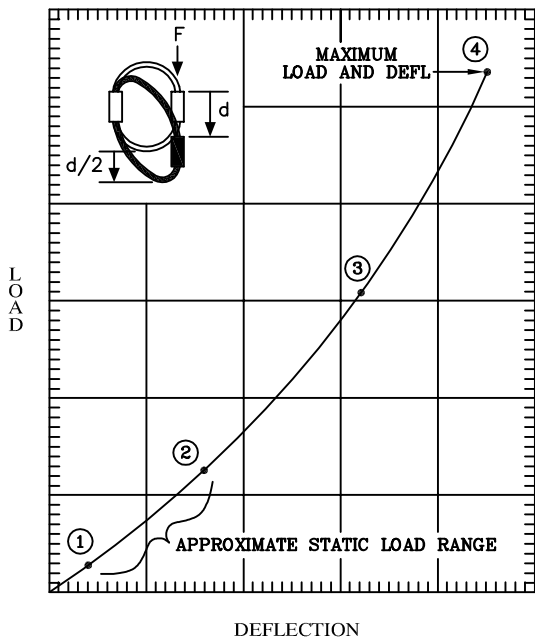


SHEAR



PART NO.	①		②		③		④		K _v (VIBE) (lbs/in)	K _s (SHOCK) (lbs/in)
	LOAD (lbs)	DEFL (in)	LOAD (lbs)	DEFL (in)	LOAD (lbs)	DEFL (in)	LOAD (lbs)	DEFL (in)		
M8-190-08	19	.05	45	.10	165	.40	520	.80	380	415
M8-213-08	15	.05	37	.10	150	.50	425	1.00	300	320
M8-231-08	10	.05	23	.10	110	.60	335	1.20	200	210
M8-245-08	7.5	.05	18	.10	100	.70	305	1.40	150	160
M8-255-08	5.5	.05	13	.10	72	.70	240	1.40	110	120
M8-260-08	4.3	.05	10	.10	64	.80	210	1.60	85	90
M8-270-08	3.3	.05	8.0	.10	56	.80	185	1.60	65	70
M8-325-08	2.5	.05	6.0	.10	48	1.00	165	2.00	50	55

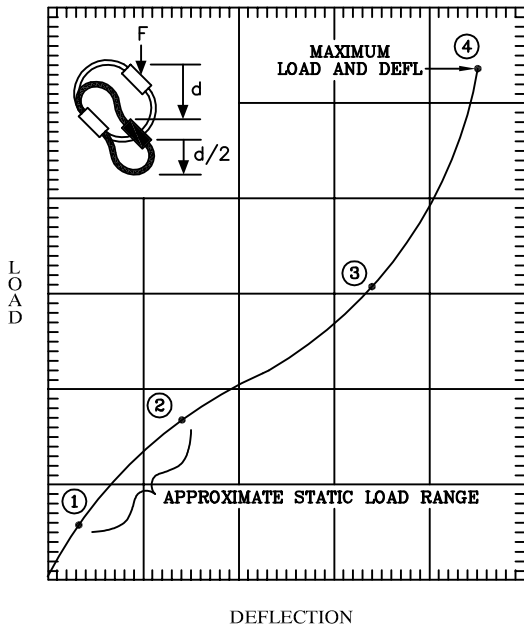
ROLL



PART NO.	①		②		③		④		K _v (VIBE) (lbs/in)	K _s (SHOCK) (lbs/in)
	LOAD (lbs)	DEFL (in)	LOAD (lbs)	DEFL (in)	LOAD (lbs)	DEFL (in)	LOAD (lbs)	DEFL (in)		
M8-190-08	19	.05	45	.10	165	.40	520	.80	380	415
M8-213-08	15	.05	37	.10	150	.50	425	1.00	300	320
M8-231-08	10	.05	23	.10	110	.60	335	1.20	200	210
M8-245-08	7.5	.05	18	.10	100	.70	305	1.40	150	160
M8-255-08	5.5	.05	13	.10	72	.70	240	1.40	110	120
M8-260-08	4.3	.05	10	.10	64	.80	210	1.60	85	90
M8-270-08	3.3	.05	8.0	.10	56	.80	185	1.60	65	70
M8-325-08	2.5	.05	6.0	.10	48	1.00	165	2.00	50	55

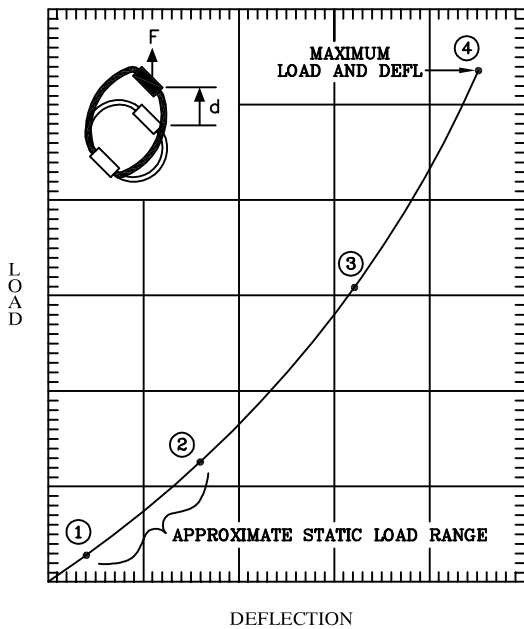


45° COMPRESSION/ROLL



PART NO.	①		②		③		④		K _v (VIBE) (lbs/in)	K _s (SHOCK) (lbs/in)
	LOAD (lbs)	DEFL (in)	LOAD (lbs)	DEFL (in)	LOAD (lbs)	DEFL (in)	LOAD (lbs)	DEFL (in)		
M8-190-08	48	.05	90	.10	325	.80	410	1.12	960	410
M8-213-08	38	.05	72	.10	265	1.00	330	1.40	760	265
M8-231-08	25	.05	45	.10	210	1.20	265	1.70	500	175
M8-245-08	20	.05	35	.10	190	1.40	240	2.00	400	140
M8-255-08	14	.05	25	.10	150	1.40	190	2.00	280	110
M8-260-08	10	.05	18	.10	130	1.60	165	2.25	200	85
M8-270-08	8.0	.05	14	.10	115	1.60	145	2.25	160	75
M8-325-08	6.0	.05	11	.10	105	2.00	130	2.80	120	55

45° TENSION/ROLL



PART NO.	①		②		③		④		K _v (VIBE) (lbs/in)	K _s (SHOCK) (lbs/in)
	LOAD (lbs)	DEFL (in)	LOAD (lbs)	DEFL (in)	LOAD (lbs)	DEFL (in)	LOAD (lbs)	DEFL (in)		
M8-190-08	53	.05	120	.10	410	.28	1025	.56	1060	1460
M8-213-08	42	.05	95	.10	390	.35	975	.70	840	1120
M8-231-08	28	.05	65	.10	325	.42	825	.84	560	775
M8-245-08	22	.05	48	.10	290	.50	725	1.00	440	580
M8-255-08	16	.05	36	.10	210	.50	525	1.00	320	420
M8-260-08	11	.05	26	.10	175	.56	440	1.12	220	315
M8-270-08	9.0	.05	21	.10	140	.56	350	1.12	180	250
M8-325-08	7.0	.05	16	.10	130	.70	325	1.40	140	185

TOLL FREE : 888-ISOLATOR
 FAX : (631) 491-5672
 WEB SITE : www.isolator.com
 E-MAIL : sales@isolator.com
 CAGE : 07QQ7

