

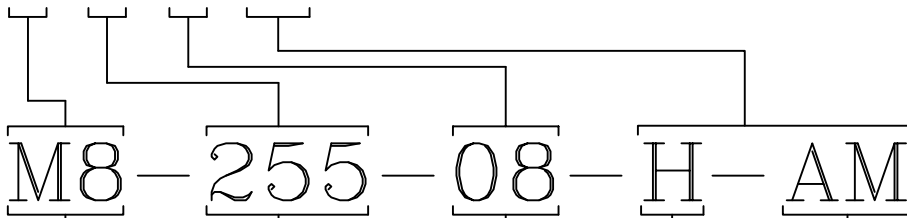
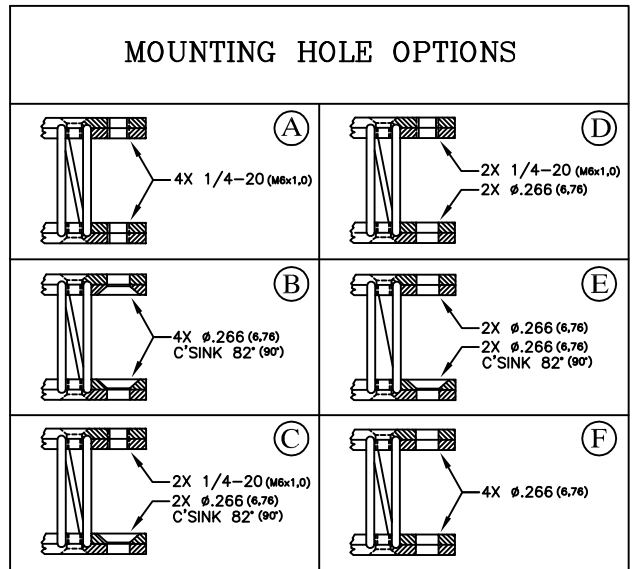
FEATURES:

- RUGGED ALL METAL CONSTRUCTION
- UNEQUALLED TEMP. RANGE: -200°F TO 500°F
- THREE AXIS CAPABILITY
- MAINTENANCE FREE
- FAIL SAFE DESIGN
- HIGH DAMPING: C/Cc ≈ .20
- EXCEPTIONAL RELIABILITY AND LONG LIFE

MATERIALS/FINISHES:

- CABLE: 300 SERIES SS PER MIL-W-83420 OR RR-W-410
- SCREWS: 300 SERIES SS PASSIVATED IAW QQ-P-35C TYPE II
- INSERTS: 300 SERIES SS (ALUM BARS ONLY)
- RETAINER BARS: SEE BELOW

PART NUMBER	DIMENSIONS, in.		ISOLATOR WEIGHT (SEE NOTE 3)
	H ± .04	W (REF)	
M8 - 190 - 08 - []	1.90 (48,3)	2.20 (55,9)	.731lbs (.33kg)
M8 - 213 - 08 - []	2.13 (54,1)	2.50 (63,5)	.761lbs (.35kg)
M8 - 231 - 08 - []	2.31 (58,7)	2.80 (71,1)	.821lbs (.37kg)
M8 - 245 - 08 - []	2.45 (62,2)	3.13 (79,5)	.871lbs (.40kg)
M8 - 255 - 08 - []	2.55 (64,8)	3.50 (88,9)	.941lbs (.43kg)
M8 - 260 - 08 - []	2.60 (66,0)	3.75 (95,3)	.981lbs (.44kg)
M8 - 270 - 08 - []	2.70 (68,8)	3.95 (100,3)	1.011lbs (.46kg)
M8 - 325 - 08 - []	3.25 (82,8)	4.25 (108,0)	1.101lbs (.50kg)



EXAMPLE:

M8-255 ISOLATOR WITH 8 LOOPS; 6061-T6 ALUM BARS WITH ANODIZE; M6x1,0 INSERTS ON BOTH SIDES.

SERIES	MODEL SIZE	NO. OF CABLE LOOPS	BAR MATERIAL/FINISH	MOUNTING HOLES
• CABLE DIAMETER IN 32NDS	• BASED ON ISOLATOR HEIGHT	• 8 LOOPS STANDARD FOR THE M8 SERIES. • ISOLATOR SPRING RATES ARE DIRECTLY PROPORTIONAL TO NO. OF CABLE LOOPS.	• [] = 6061-T6 ALUM ALLOY/CHEM FILM IAW MIL-DTL-5541, TYPE II, CL 3. • [H] = 6061-T6 ALUM ALLOY/ANODIZED IAW MIL-A-8625, TYPE II CLASS 1. • [s] = 300 SERIES SS/PASSIVATED IAW QQ-P-35C, TYPE II.	• SEE MOUNTING HOLE OPTIONS ABOVE. • ADD 'M' TO END OF P/N FOR METRIC MOUNTING HOLES. • ADD 'L' TO END OF P/N FOR LOCKING INSERTS.

NOTES:

- 1) ALL DIMENSIONS IN PARENTHESIS ARE METRIC (mm).
- 2) SPECIALS AVAILABLE UPON REQUEST (MATERIALS, SIZE, MOUNTING HOLES, FINISH, ETC...)
- 3) ADD .461lbs (.21kg) TO ISOLATOR WEIGHT FOR ALL-STAINLESS STEEL VERSIONS.

TOLL FREE : 888-ISOLATOR
FAX : (631) 491-5672
WEB SITE : www.isolator.com
E-MAIL : sales@isolator.com
CAGE : 07QQ7

