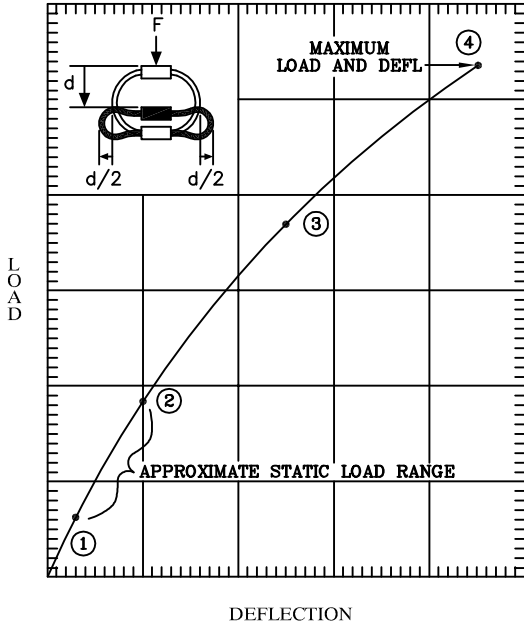
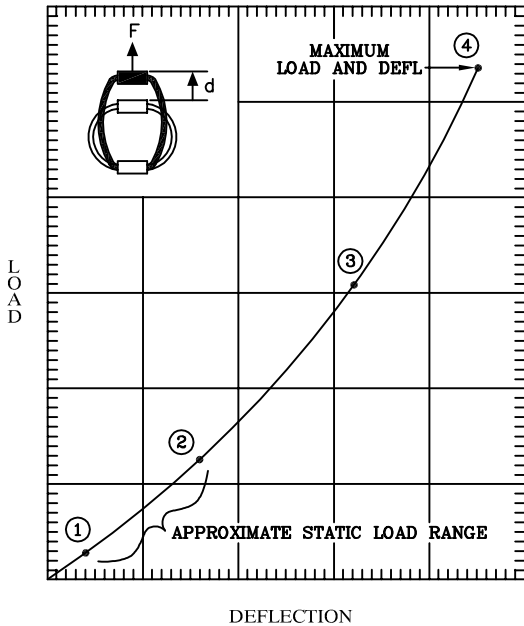


COMPRESSION



PART NO.	①		②		③		④		K _v (VIBE) (lbs/in)	K _s (SHOCK) (lbs/in)
	LOAD (lbs)	DEFL (in)	LOAD (lbs)	DEFL (in)	LOAD (lbs)	DEFL (in)	LOAD (lbs)	DEFL (in)		
M6A-200-11	33	.05	60	.10	210	.55	310	1.10	660	385
M6A-206-11	22	.05	40	.10	170	.60	270	1.20	440	285
M6A-213-11	16	.05	30	.10	130	.65	220	1.30	320	200
M6A-219-11	11	.05	21	.10	110	.70	195	1.40	220	160
M6A-245-11	8.0	.05	15	.10	85	.80	150	1.60	160	105
M6A-320-11	5.0	.05	9.0	.10	60	1.10	110	2.20	100	55

TENSION



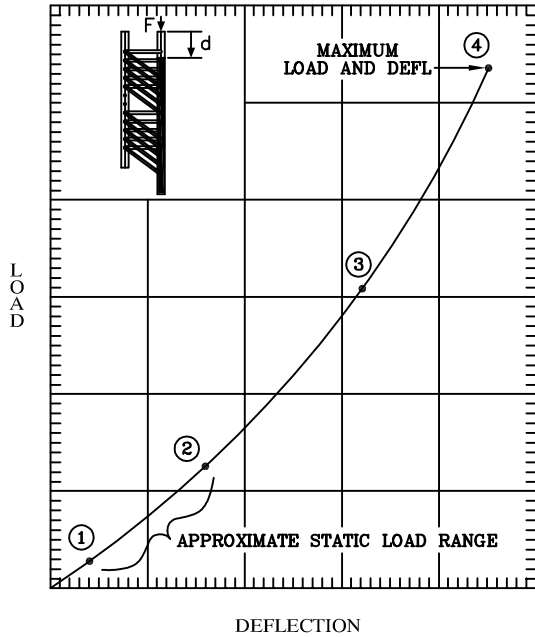
PART NO.	①		②		③		④		K _v (VIBE) (lbs/in)	K _s (SHOCK) (lbs/in)
	LOAD (lbs)	DEFL (in)	LOAD (lbs)	DEFL (in)	LOAD (lbs)	DEFL (in)	LOAD (lbs)	DEFL (in)		
M6A-200-11	36	.05	85	.10	250	.28	630	.55	720	890
M6A-206-11	25	.05	55	.10	205	.30	510	.60	500	680
M6A-213-11	18	.05	42	.10	155	.33	390	.65	360	470
M6A-219-11	12	.05	30	.10	130	.35	330	.70	240	370
M6A-245-11	9.0	.05	21	.10	100	.40	255	.80	180	250
M6A-320-11	5.5	.05	13	.10	72	.55	180	1.10	110	130

ULTIMATE BREAKING STRENGTH ≈ 6k lbs

TOLL FREE : 888-ISOLATOR
 FAX : (631) 491-5672
 WEB SITE : www.isolator.com
 E-MAIL : sales@isolator.com
 CAGE : 07QQ7

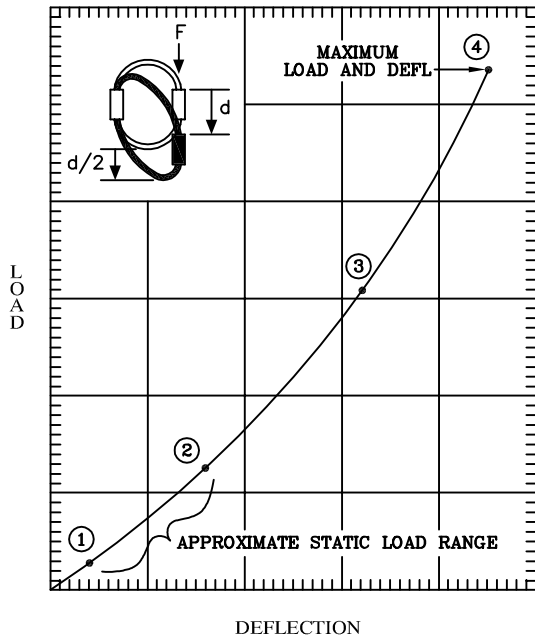


SHEAR



PART NO.	①		②		③		④		K _v (VIBE) (lbs/in)	K _s (SHOCK) (lbs/in)
	LOAD (lbs)	DEFL (in)	LOAD (lbs)	DEFL (in)	LOAD (lbs)	DEFL (in)	LOAD (lbs)	DEFL (in)		
M6A-200-11	8.0	.05	20	.10	84	.55	250	1.10	160	155
M6A-206-11	5.5	.05	13	.10	68	.60	215	1.20	110	110
M6A-213-11	4.0	.05	10	.10	52	.65	175	1.30	80	80
M6A-219-11	2.8	.05	7.0	.10	44	.70	155	1.40	56	63
M6A-245-11	2.0	.05	5.0	.10	34	.80	120	1.60	40	45
M6A-320-11	1.2	.05	3.0	.10	24	1.10	90	2.20	24	25

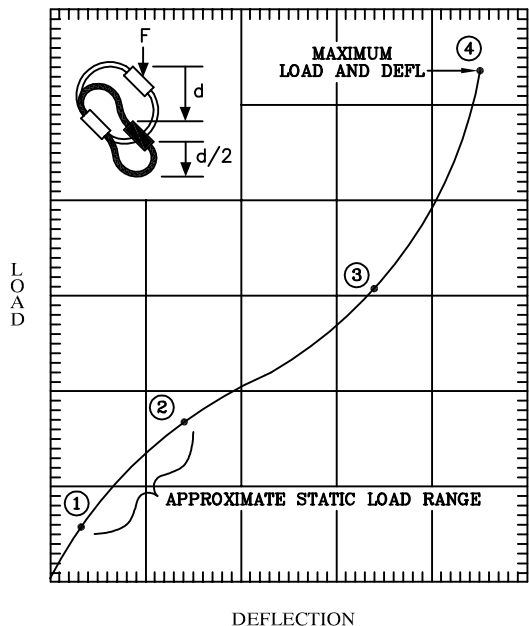
ROLL



PART NO.	①		②		③		④		K _v (VIBE) (lbs/in)	K _s (SHOCK) (lbs/in)
	LOAD (lbs)	DEFL (in)	LOAD (lbs)	DEFL (in)	LOAD (lbs)	DEFL (in)	LOAD (lbs)	DEFL (in)		
M6A-200-11	8.0	.05	20	.10	84	.55	250	1.10	160	155
M6A-206-11	5.5	.05	13	.10	68	.60	215	1.20	110	110
M6A-213-11	4.0	.05	10	.10	52	.65	175	1.30	80	80
M6A-219-11	2.8	.05	7.0	.10	44	.70	155	1.40	56	63
M6A-245-11	2.0	.05	5.0	.10	34	.80	120	1.60	40	45
M6A-320-11	1.2	.05	3.0	.10	24	1.10	90	2.20	24	25

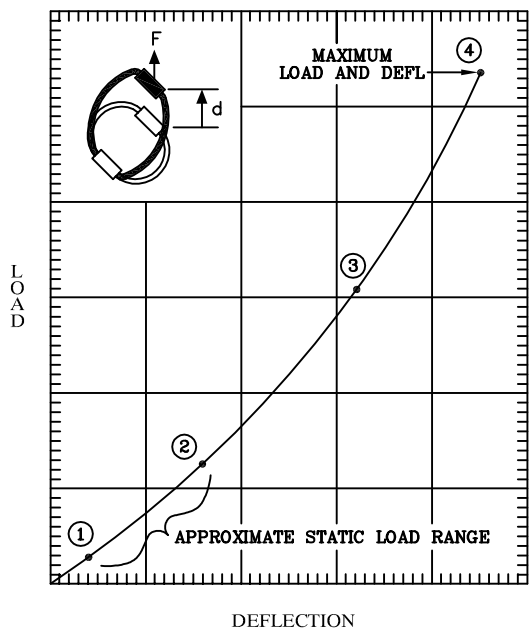


45° COMPRESSION/ROLL



PART NO.	①		②		③		④		K _v (VIBE) (lbs/in)	K _s (SHOCK) (lbs/in)
	LOAD (lbs)	DEFL (in)	LOAD (lbs)	DEFL (in)	LOAD (lbs)	DEFL (in)	LOAD (lbs)	DEFL (in)		
M6A-200-11	20	.05	38	.10	155	1.10	195	1.55	400	150
M6A-206-11	14	.05	26	.10	135	1.20	170	1.70	280	115
M6A-213-11	10	.05	18	.10	110	1.30	140	1.80	200	85
M6A-219-11	7.0	.05	13	.10	95	1.40	120	2.00	140	70
M6A-245-11	5.0	.05	9.0	.10	75	1.60	95	2.25	100	50
M6A-320-11	3.2	.05	5.5	.10	55	2.20	70	3.00	65	25

45° TENSION/ROLL



PART NO.	①		②		③		④		K _v (VIBE) (lbs/in)	K _s (SHOCK) (lbs/in)
	LOAD (lbs)	DEFL (in)	LOAD (lbs)	DEFL (in)	LOAD (lbs)	DEFL (in)	LOAD (lbs)	DEFL (in)		
M6A-200-11	22	.05	48	.10	215	.38	550	.75	440	570
M6A-206-11	16	.05	36	.10	180	.42	450	.85	320	430
M6A-213-11	11	.05	25	.10	135	.45	335	.90	220	300
M6A-219-11	7.5	.05	18	.10	110	.50	275	1.00	150	220
M6A-245-11	5.5	.05	13	.10	85	.56	220	1.12	110	150
M6A-320-11	4.0	.05	9.0	.10	80	.78	200	1.55	80	105

