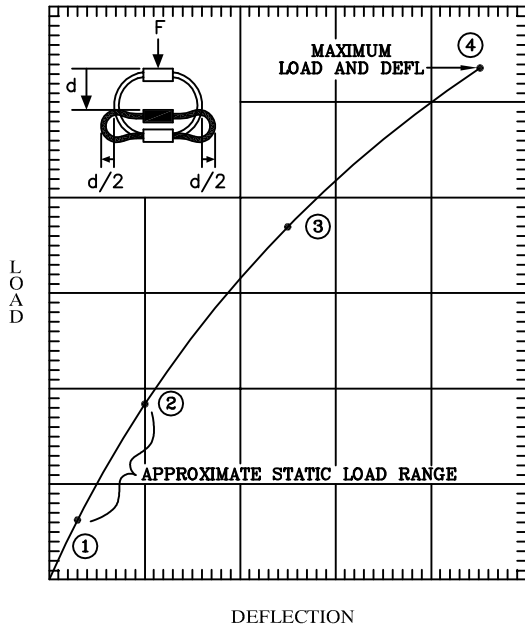
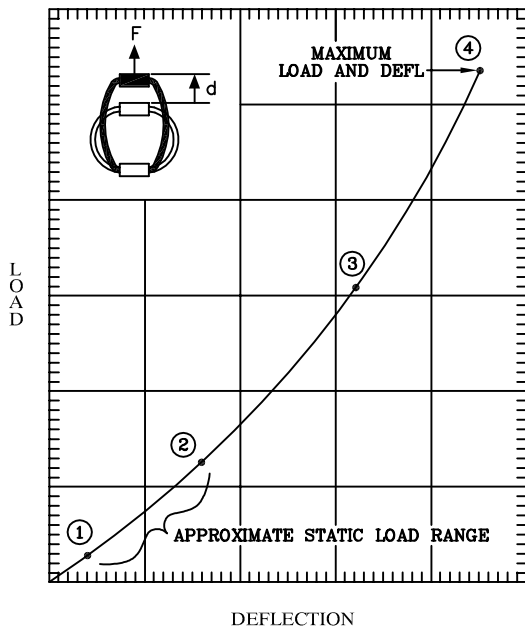


**COMPRESSION**



PART NO.	①		②		③		④		K <sub>v</sub> (VIBE) (lbs/in)	K <sub>s</sub> (SHOCK) (lbs/in)
	LOAD (lbs)	DEFL (in)	LOAD (lbs)	DEFL (in)	LOAD (lbs)	DEFL (in)	LOAD (lbs)	DEFL (in)		
M6-120-10	210	.05	370	.10	580	.18	750	.35	4200	3200
M6-130-10	160	.05	280	.10	470	.22	610	.45	3200	2150
M6-140-10	125	.05	215	.10	440	.28	580	.55	2500	1575
M6-150-10	95	.05	160	.10	360	.35	490	.70	1900	1025
M6-160-10	70	.05	120	.10	350	.40	460	.80	1400	875
M6-170-10	55	.05	100	.10	300	.45	420	.90	1100	675

**TENSION**



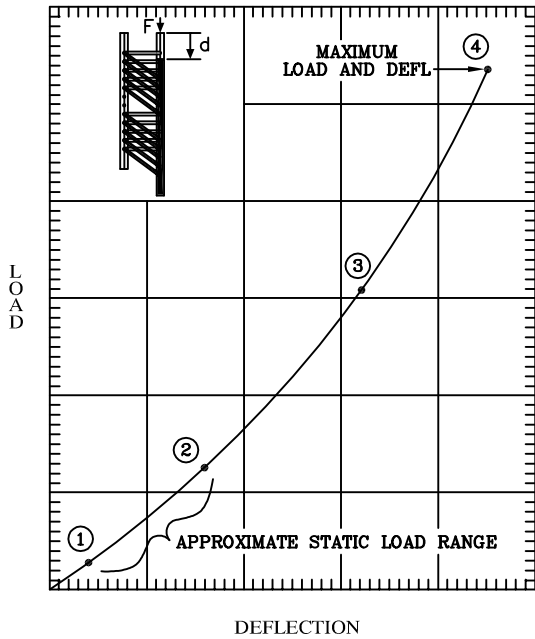
PART NO.	①		②		③		④		K <sub>v</sub> (VIBE) (lbs/in)	K <sub>s</sub> (SHOCK) (lbs/in)
	LOAD (lbs)	DEFL (in)	LOAD (lbs)	DEFL (in)	LOAD (lbs)	DEFL (in)	LOAD (lbs)	DEFL (in)		
M6-120-10	230	.05	520	.10	950	.15	1740	.20	4600	6330
M6-130-10	180	.05	390	.10	700	.15	1400	.25	3600	4670
M6-140-10	140	.05	300	.10	530	.15	1320	.30	2800	3530
M6-150-10	105	.05	225	.10	440	.18	1080	.35	2100	2420
M6-160-10	75	.05	170	.10	420	.20	1050	.40	1500	2100
M6-170-10	60	.05	140	.10	360	.23	900	.45	1200	1570

ULTIMATE BREAKING STRENGTH ≈ 3k lbs

TOLL FREE : 888-ISOLATOR  
 FAX : (631) 491-5672  
 WEB SITE : www.isolator.com  
 E-MAIL : sales@isolator.com  
 CAGE : 07QQ7

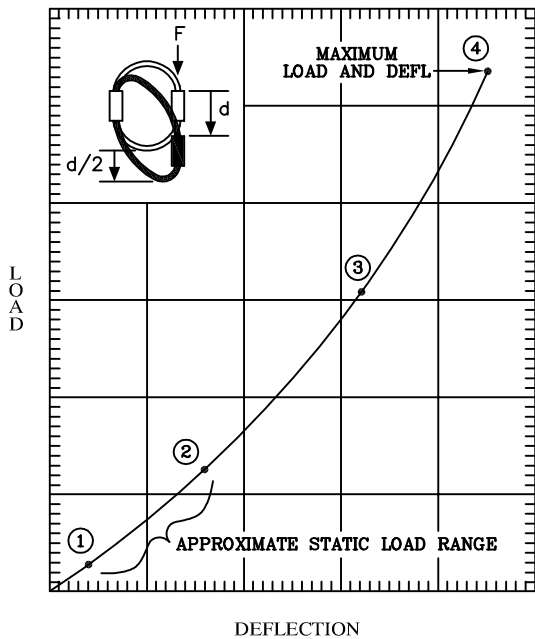


**SHEAR**



PART NO.	①		②		③		④		K <sub>v</sub> (VIBE) (lbs/in)	K <sub>s</sub> (SHOCK) (lbs/in)
	LOAD (lbs)	DEFL (in)	LOAD (lbs)	DEFL (in)	LOAD (lbs)	DEFL (in)	LOAD (lbs)	DEFL (in)		
M6-120-10	52	.05	123	.10	230	.18	625	.35	1040	1280
M6-130-10	40	.05	93	.10	190	.22	490	.45	800	870
M6-140-10	31	.05	72	.10	175	.28	465	.55	620	640
M6-150-10	24	.05	53	.10	145	.35	390	.70	480	500
M6-160-10	17	.05	40	.10	140	.40	370	.80	340	360
M6-170-10	14	.05	33	.10	120	.45	335	.90	280	300

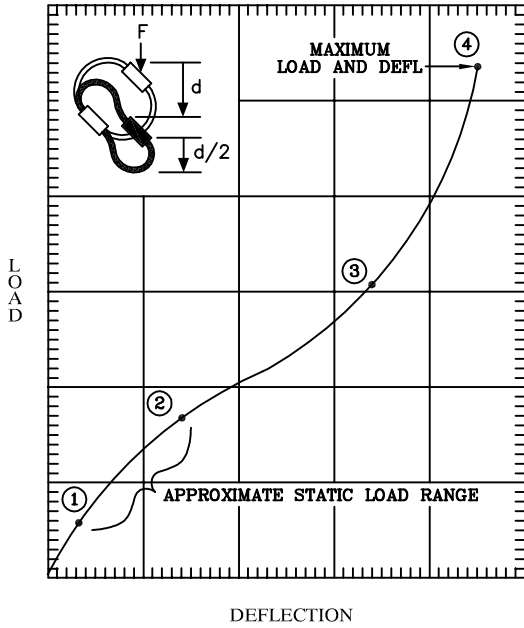
**ROLL**



PART NO.	①		②		③		④		K <sub>v</sub> (VIBE) (lbs/in)	K <sub>s</sub> (SHOCK) (lbs/in)
	LOAD (lbs)	DEFL (in)	LOAD (lbs)	DEFL (in)	LOAD (lbs)	DEFL (in)	LOAD (lbs)	DEFL (in)		
M6-120-10	52	.05	123	.10	230	.18	625	.35	1040	1280
M6-130-10	40	.05	93	.10	190	.22	490	.45	800	870
M6-140-10	31	.05	72	.10	175	.28	465	.55	620	640
M6-150-10	24	.05	53	.10	145	.35	390	.70	480	500
M6-160-10	17	.05	40	.10	140	.40	370	.80	340	360
M6-170-10	14	.05	33	.10	120	.45	335	.90	280	300

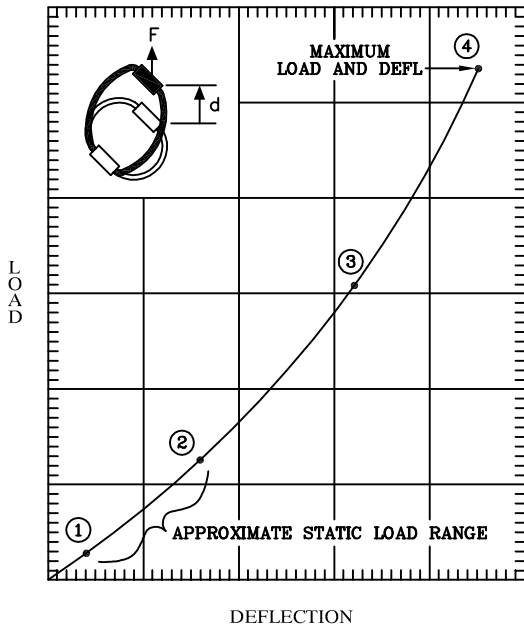


**45° COMPRESSION/ROLL**



PART NO.	①		②		③		④		K <sub>v</sub> (VIBE) (lbs/in)	K <sub>s</sub> (SHOCK) (lbs/in)
	LOAD (lbs)	DEFL (in)	LOAD (lbs)	DEFL (in)	LOAD (lbs)	DEFL (in)	LOAD (lbs)	DEFL (in)		
M6-120-10	130	.05	245	.10	375	.35	470	.50	2600	1070
M6-130-10	100	.05	185	.10	305	.45	380	.65	2000	680
M6-140-10	78	.05	145	.10	290	.55	360	.77	1560	540
M6-150-10	60	.05	105	.10	245	.70	305	1.00	1200	350
M6-160-10	44	.05	80	.10	230	.80	285	1.12	880	300
M6-170-10	35	.05	65	.10	210	.90	260	1.25	700	240

**45° TENSION/ROLL**



PART NO.	①		②		③		④		K <sub>v</sub> (VIBE) (lbs/in)	K <sub>s</sub> (SHOCK) (lbs/in)
	LOAD (lbs)	DEFL (in)	LOAD (lbs)	DEFL (in)	LOAD (lbs)	DEFL (in)	LOAD (lbs)	DEFL (in)		
M6-120-10	145	.05	320	.10	640	.15	1300	.30	2900	4250
M6-130-10	110	.05	240	.10	480	.18	1200	.36	2200	2670
M6-140-10	85	.05	190	.10	470	.21	1150	.42	1720	2260
M6-150-10	66	.05	140	.10	375	.25	900	.50	1320	1500
M6-160-10	48	.05	105	.10	310	.28	800	.56	960	1100
M6-170-10	40	.05	90	.10	280	.32	750	.63	800	900

TOLL FREE : 888-ISOLATOR  
 FAX : (631) 491-5672  
 WEB SITE : www.isolator.com  
 E-MAIL : sales@isolator.com  
 CAGE : 07QQ7

