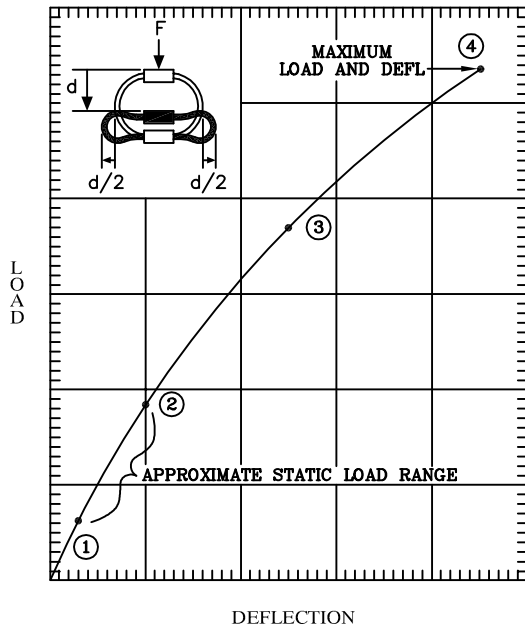
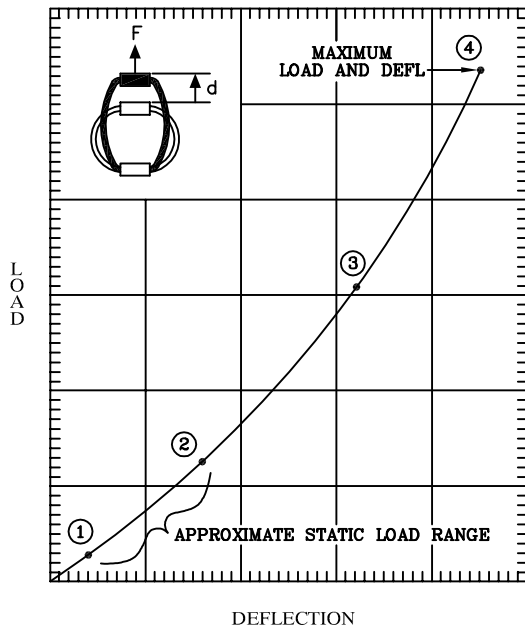


**COMPRESSION**



PART NO.	①		②		③		④		K <sub>v</sub> (VIBE) (lbs/in)	K <sub>s</sub> (SHOCK) (lbs/in)
	LOAD (lbs)	DEFL (in)	LOAD (lbs)	DEFL (in)	LOAD (lbs)	DEFL (in)	LOAD (lbs)	DEFL (in)		
M5-110-10	125	.05	190	.10	270	.18	375	.35	2500	1500
M5-120-10	80	.05	125	.10	210	.22	290	.45	1600	960
M5-130-10	62	.05	110	.10	205	.28	285	.55	1250	720
M5-140-10	45	.05	85	.10	170	.35	240	.70	900	480
M5-150-10	32	.05	60	.10	155	.40	230	.80	640	380
M5-160-10	24	.05	44	.10	125	.45	180	.90	480	280

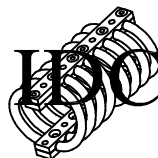
**TENSION**



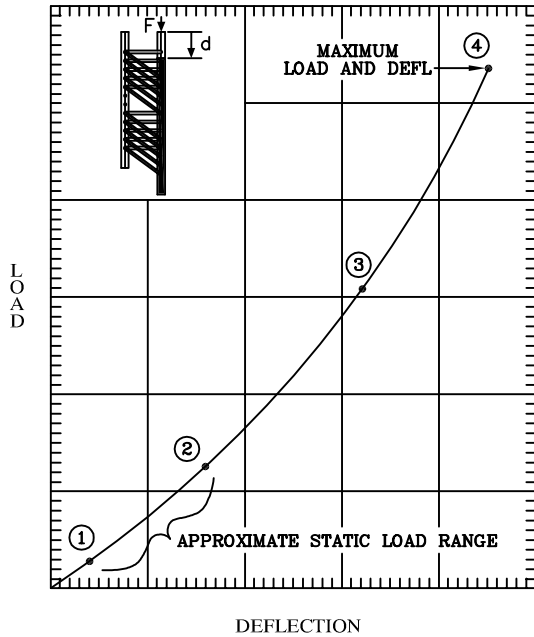
PART NO.	①		②		③		④		K <sub>v</sub> (VIBE) (lbs/in)	K <sub>s</sub> (SHOCK) (lbs/in)
	LOAD (lbs)	DEFL (in)	LOAD (lbs)	DEFL (in)	LOAD (lbs)	DEFL (in)	LOAD (lbs)	DEFL (in)		
M5-110-10	140	.05	280	.10	470	.15	810	.20	2800	3140
M5-120-10	88	.05	175	.10	300	.15	630	.25	1750	2000
M5-130-10	68	.05	140	.10	245	.15	600	.30	1350	1620
M5-140-10	52	.05	110	.10	215	.18	500	.35	1040	1200
M5-150-10	36	.05	78	.10	190	.20	460	.40	720	940
M5-160-10	25	.05	68	.10	150	.23	380	.45	520	660

ULTIMATE BREAKING STRENGTH ≈ 2.5k lbs

TOLL FREE : 888-ISOLATOR  
 FAX : (631) 491-5672  
 WEB SITE : www.isolator.com  
 E-MAIL : sales@isolator.com  
 CAGE : 07QQ7

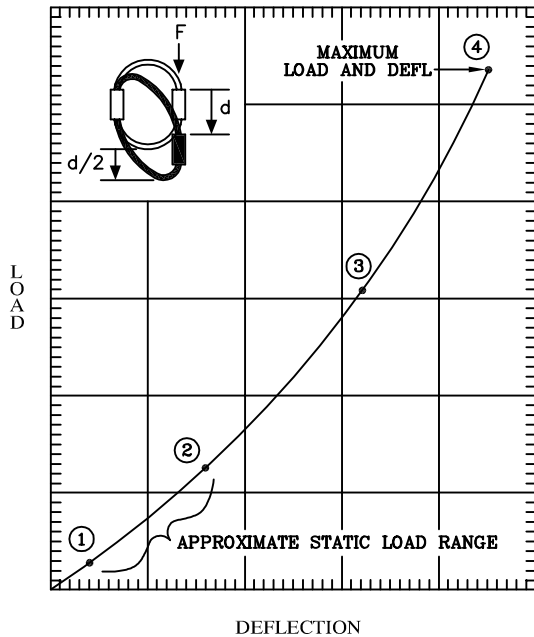


## SHEAR



PART NO.	①		②		③		④		K <sub>v</sub> (VIBE) (lbs/in)	K <sub>s</sub> (SHOCK) (lbs/in)
	LOAD (lbs)	DEFL (in)	LOAD (lbs)	DEFL (in)	LOAD (lbs)	DEFL (in)	LOAD (lbs)	DEFL (in)		
M5-110-10	32	.05	64	.10	108	.18	300	.35	600	600
M5-120-10	20	.05	42	.10	84	.22	230	.45	400	400
M5-130-10	16	.05	36	.10	80	.28	220	.55	320	320
M5-140-10	12	.05	28	.10	68	.35	190	.70	240	240
M5-150-10	8.0	.05	20	.10	62	.40	180	.80	160	160
M5-160-10	6.0	.05	15	.10	50	.45	145	.90	120	120

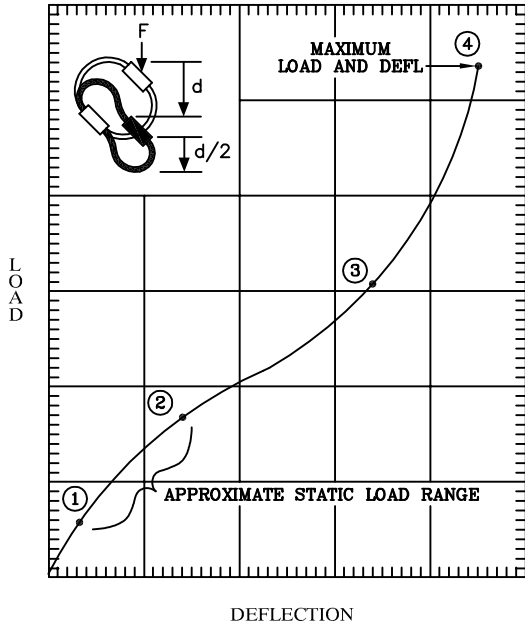
## ROLL



PART NO.	①		②		③		④		K <sub>v</sub> (VIBE) (lbs/in)	K <sub>s</sub> (SHOCK) (lbs/in)
	LOAD (lbs)	DEFL (in)	LOAD (lbs)	DEFL (in)	LOAD (lbs)	DEFL (in)	LOAD (lbs)	DEFL (in)		
M5-110-10	32	.05	64	.10	108	.18	300	.35	600	600
M5-120-10	20	.05	42	.10	84	.22	230	.45	400	400
M5-130-10	16	.05	36	.10	80	.28	220	.55	320	320
M5-140-10	12	.05	28	.10	68	.35	190	.70	240	240
M5-150-10	8.0	.05	20	.10	62	.40	180	.80	160	160
M5-160-10	6.0	.05	15	.10	50	.45	145	.90	120	120

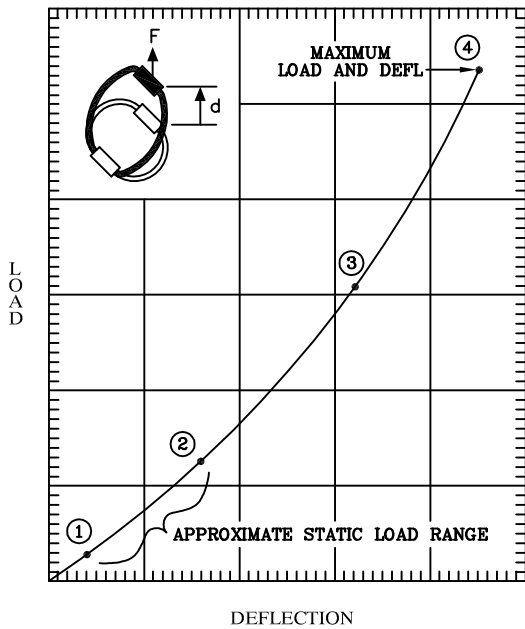


**45° COMPRESSION/ROLL**



PART NO.	①		②		③		④		K <sub>v</sub> (VIBE) (lbs/in)	K <sub>s</sub> (SHOCK) (lbs/in)
	LOAD (lbs)	DEFL (in)	LOAD (lbs)	DEFL (in)	LOAD (lbs)	DEFL (in)	LOAD (lbs)	DEFL (in)		
M5-110-10	80	.05	128	.10	188	.35	236	.50	1600	540
M5-120-10	50	.05	84	.10	146	.45	182	.65	1000	330
M5-130-10	40	.05	72	.10	140	.55	172	.77	800	260
M5-140-10	30	.05	56	.10	120	.70	150	1.00	600	180
M5-150-10	20	.05	40	.10	112	.80	140	1.12	400	140
M5-160-10	16	.05	28	.10	90	.90	112	1.25	320	100

**45° TENSION/ROLL**



PART NO.	①		②		③		④		K <sub>v</sub> (VIBE) (lbs/in)	K <sub>s</sub> (SHOCK) (lbs/in)
	LOAD (lbs)	DEFL (in)	LOAD (lbs)	DEFL (in)	LOAD (lbs)	DEFL (in)	LOAD (lbs)	DEFL (in)		
M5-110-10	88	.05	180	.10	360	.15	840	.30	1760	2400
M5-120-10	56	.05	115	.10	290	.18	650	.36	1120	1600
M5-130-10	44	.05	90	.10	230	.21	530	.42	880	1100
M5-140-10	34	.05	72	.10	180	.25	450	.50	680	750
M5-150-10	22	.05	48	.10	140	.28	360	.56	440	500
M5-160-10	18	.05	40	.10	120	.32	300	.63	360	400

TOLL FREE : 888-ISOLATOR  
 FAX : (631) 491-5672  
 WEB SITE : www.isolator.com  
 E-MAIL : sales@isolator.com  
 CAGE : 07QQ7

