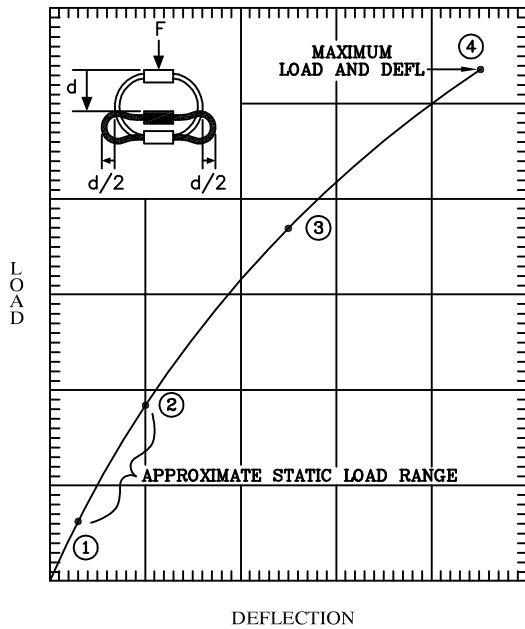
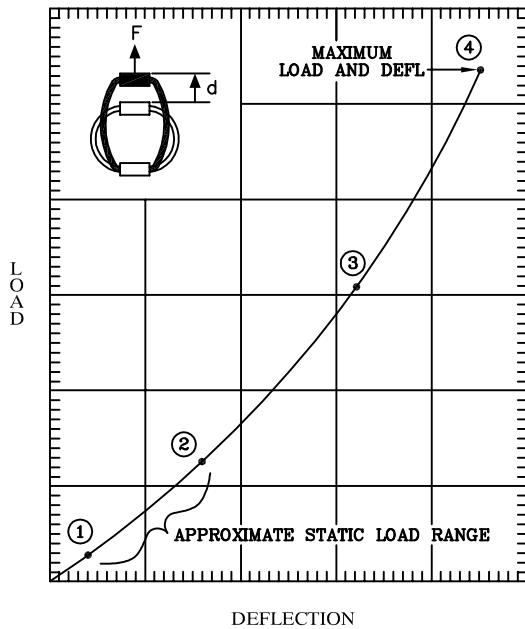


COMPRESSION



PART NO.	①		②		③		④		K _v (VIBE) (lbs/in)	K _s (SHOCK) (lbs/in)
	LOAD (lbs)	DEFL (in)	LOAD (lbs)	DEFL (in)	LOAD (lbs)	DEFL (in)	LOAD (lbs)	DEFL (in)		
M4-110-10	63	.05	96	.10	135	.18	188	.35	1260	750
M4-120-10	40	.05	63	.10	105	.22	145	.45	800	480
M4-130-10	31	.05	54	.10	102	.28	143	.55	620	360
M4-140-10	23	.05	42	.10	84	.35	120	.70	460	240
M4-150-10	16	.05	30	.10	78	.40	115	.80	320	190
M4-160-10	12	.05	22	.10	63	.45	90	.90	240	140

TENSION

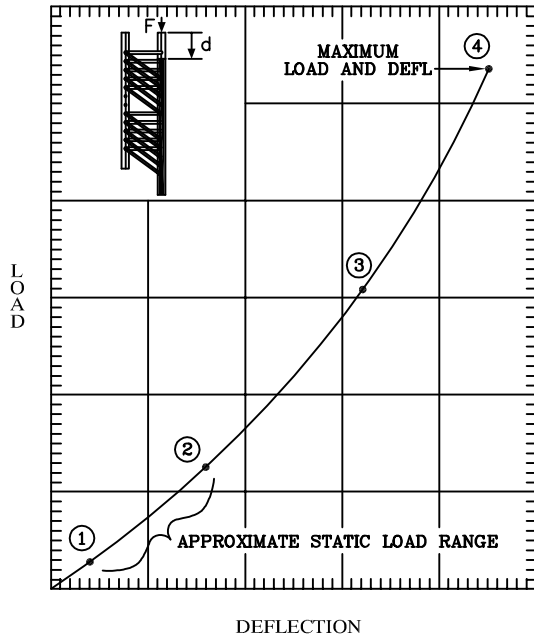


PART NO.	①		②		③		④		K _v (VIBE) (lbs/in)	K _s (SHOCK) (lbs/in)
	LOAD (lbs)	DEFL (in)	LOAD (lbs)	DEFL (in)	LOAD (lbs)	DEFL (in)	LOAD (lbs)	DEFL (in)		
M4-110-10	70	.05	140	.10	235	.15	405	.20	1400	1570
M4-120-10	44	.05	88	.10	150	.15	315	.25	880	1000
M4-130-10	34	.05	70	.10	122	.15	305	.30	680	810
M4-140-10	26	.05	55	.10	108	.18	250	.35	520	600
M4-150-10	18	.05	39	.10	94	.20	230	.40	360	470
M4-160-10	13	.05	29	.10	76	.23	190	.45	260	330

ULTIMATE BREAKING STRENGTH ≈ 2.5k lbs

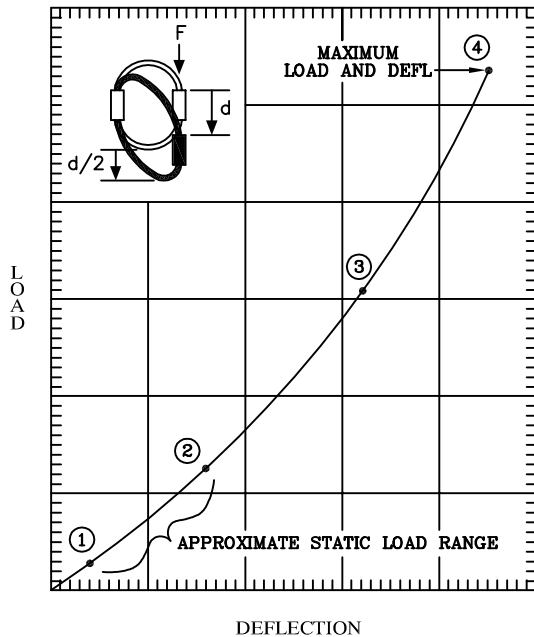


SHEAR

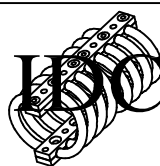


PART NO.	①		②		③		④		K _v (VIBE) (lbs/in)	K _s (SHOCK) (lbs/in)
	LOAD (lbs)	DEFL (in)	LOAD (lbs)	DEFL (in)	LOAD (lbs)	DEFL (in)	LOAD (lbs)	DEFL (in)		
M4-110-10	16	.05	32	.10	54	.18	150	.35	320	300
M4-120-10	10	.05	21	.10	42	.22	115	.45	200	190
M4-130-10	8.0	.05	18	.10	40	.28	110	.55	160	145
M4-140-10	6.0	.05	14	.10	34	.35	95	.70	120	100
M4-150-10	4.0	.05	10	.10	31	.40	90	.80	80	75
M4-160-10	3.0	.05	7.5	.10	25	.45	72	.90	60	55

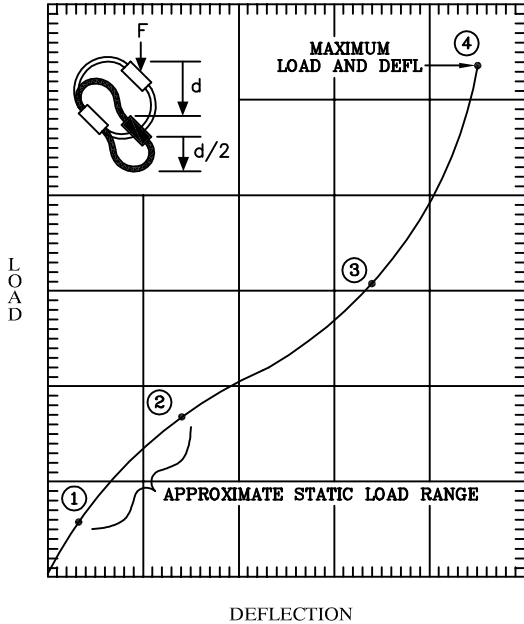
ROLL



PART NO.	①		②		③		④		K _v (VIBE) (lbs/in)	K _s (SHOCK) (lbs/in)
	LOAD (lbs)	DEFL (in)	LOAD (lbs)	DEFL (in)	LOAD (lbs)	DEFL (in)	LOAD (lbs)	DEFL (in)		
M4-110-10	16	.05	32	.10	54	.18	150	.35	320	300
M4-120-10	10	.05	21	.10	42	.22	115	.45	200	190
M4-130-10	8.0	.05	18	.10	40	.28	110	.55	160	145
M4-140-10	6.0	.05	14	.10	34	.35	95	.70	120	100
M4-150-10	4.0	.05	10	.10	31	.40	90	.80	80	75
M4-160-10	3.0	.05	7.5	.10	25	.45	72	.90	60	55

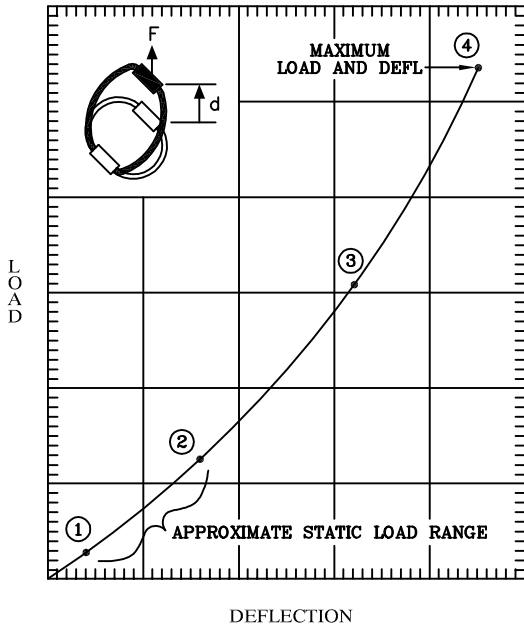


45° COMPRESSION/ROLL



PART NO.	①		②		③		④		K _v (VIBE) (lbs/in)	K _s (SHOCK) (lbs/in)
	LOAD (lbs)	DEFL (in)	LOAD (lbs)	DEFL (in)	LOAD (lbs)	DEFL (in)	LOAD (lbs)	DEFL (in)		
M4-110-10	40	.05	64	.10	94	.35	118	.50	800	270
M4-120-10	25	.05	42	.10	73	.45	91	.65	500	165
M4-130-10	20	.05	36	.10	70	.55	86	.77	400	130
M4-140-10	15	.05	28	.10	60	.70	75	1.00	300	90
M4-150-10	10	.05	20	.10	56	.80	70	1.12	200	70
M4-160-10	8.0	.05	14	.10	45	.90	56	1.25	160	50

45° TENSION/ROLL



PART NO.	①		②		③		④		K _v (VIBE) (lbs/in)	K _s (SHOCK) (lbs/in)
	LOAD (lbs)	DEFL (in)	LOAD (lbs)	DEFL (in)	LOAD (lbs)	DEFL (in)	LOAD (lbs)	DEFL (in)		
M4-110-10	44	.05	90	.10	180	.15	420	.30	880	1200
M4-120-10	28	.05	58	.10	145	.18	325	.36	560	800
M4-130-10	22	.05	46	.10	115	.21	285	.42	440	550
M4-140-10	17	.05	36	.10	90	.25	225	.50	340	360
M4-150-10	11	.05	24	.10	70	.28	180	.56	220	250
M4-160-10	9.0	.05	19	.10	60	.32	150	.63	180	190

