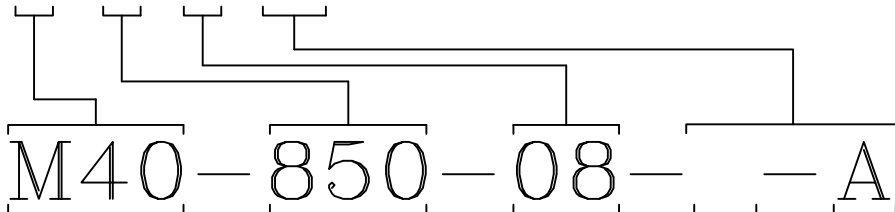
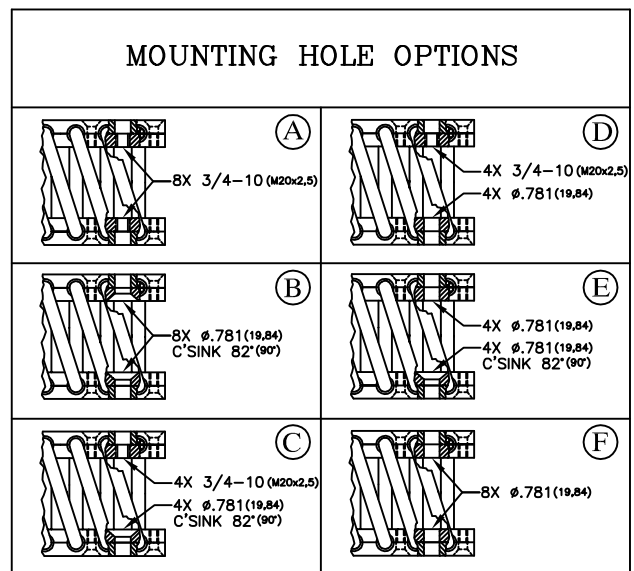


- FEATURES:**
- RUGGED ALL METAL CONSTRUCTION
 - UNEQUALLED TEMP. RANGE: -200°F TO 500°F
 - THREE AXIS CAPABILITY
 - MAINTENANCE FREE
 - FAIL SAFE DESIGN
 - HIGH DAMPING: C/Cc ≈ .20
 - EXCEPTIONAL RELIABILITY AND LONG LIFE
- MATERIALS/FINISHES:**
- CABLE: 300 SERIES SS PER RR-W-410
 - SCREWS: 300 SERIES SS PASSIVATED IAW QQ-P-35C TYPE II
 - INSERTS: 300 SERIES SS PER MS122088 (ALUM BARS ONLY)
 - RETAINER BARS: SEE BELOW

| PART NUMBER | DIMENSIONS, in. | | ISOLATOR WEIGHT (SEE NOTE 3) |
|----------------------|-----------------|---------------|------------------------------|
| | H ± .10 | W (REF) | |
| M40 - 700 - 08 - [] | 7.00 (177.8) | 9.25 (235.0) | 50lbs (22.7kg) |
| M40 - 850 - 08 - [] | 8.50 (215.9) | 10.25 (260.4) | 57lbs (25.9kg) |
| M40 - 925 - 08 - [] | 9.25 (235.0) | 11.00 (279.4) | 65lbs (29.5kg) |



EXAMPLE

[M40-850 ISOLATOR WITH 8 LOOPS; 6061-T6 ALUM BARS WITH CHEM FILM; 3/4-10 INSERTS ON BOTH SIDES.

SERIES

• CABLE DIAMETER IN 32NDS

MODEL SIZE

• BASED ON ISOLATOR HEIGHT

NO. OF CABLE LOOPS

• 8 LOOPS STANDARD FOR THE M40 SERIES.
• ISOLATOR SPRING RATES ARE DIRECTLY PROPORTIONAL TO NO. OF CABLE LOOPS.

BAR MATERIAL/FINISH

• [] = 6061-T6 ALUM ALLOY/CHEM FILM IAW MIL-DTL-5541, TYPE II, CL 3.
• [H] = 6061-T6 ALUM ALLOY/ANODIZED IAW MIL-A-8625, TYPE II CLASS 1.
• [S] = 300 SERIES SS/PASSIVATED IAW QQ-P-35C, TYPE II.

MOUNTING HOLES

• SEE MOUNTING HOLE OPTIONS ABOVE.
• ADD 'M' TO END OF P/N FOR METRIC MOUNTING HOLES.
• ADD 'L' TO END OF P/N FOR LOCKING INSERTS.

NOTES:

- 1) ALL DIMENSIONS IN PARENTHESIS ARE METRIC (mm).
- 2) SPECIALS AVAILABLE UPON REQUEST (MATERIALS, SIZE, MOUNTING HOLES, FINISH, ETC...)
- 3) ADD 18lbs (8,2kg) TO ISOLATOR WEIGHT FOR ALL-STAINLESS STEEL VERSIONS.

