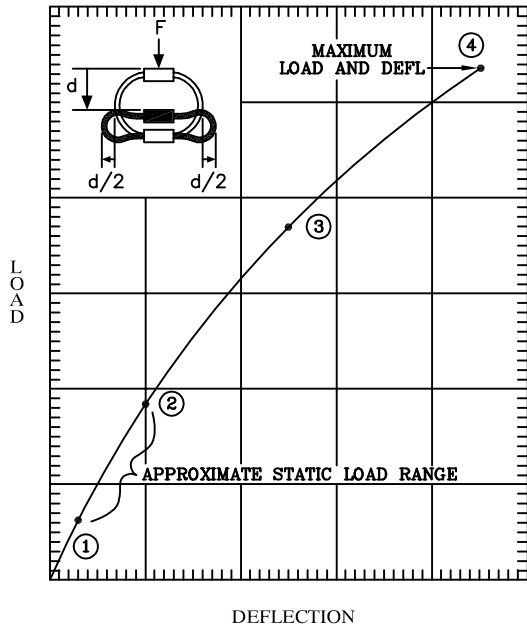
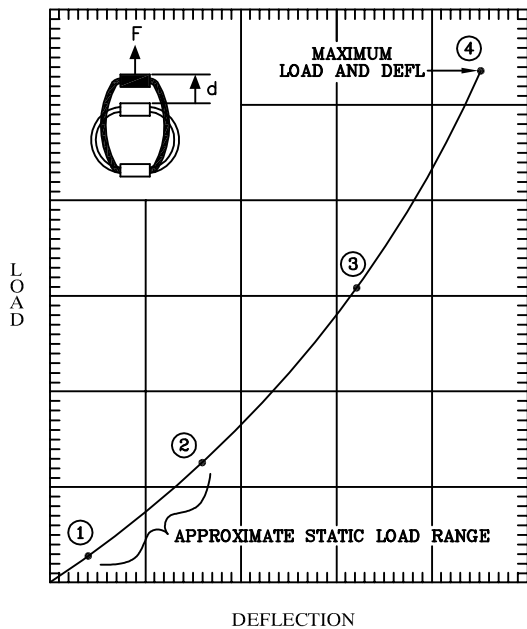


**COMPRESSION**



PART NO.	①		②		③		④		K <sub>v</sub> (VIBE) (lbs/in)	K <sub>s</sub> (SHOCK) (lbs/in)
	LOAD (lbs)	DEFL (in)	LOAD (lbs)	DEFL (in)	LOAD (lbs)	DEFL (in)	LOAD (lbs)	DEFL (in)		
M3-090-10	33	.05	54	.10	78	.18	100	.35	660	430
M3-100-10	26	.05	42	.10	66	.22	96	.45	520	300
M3-110-10	19	.05	31	.10	59	.28	83	.55	380	210
M3-130-10	9.0	.05	15	.10	34	.35	52	.70	180	100
M3-140-10	7.0	.05	12	.10	32	.40	48	.80	140	80
M3-150-10	5.5	.05	9.0	.10	26	.45	41	.90	110	60

**TENSION**



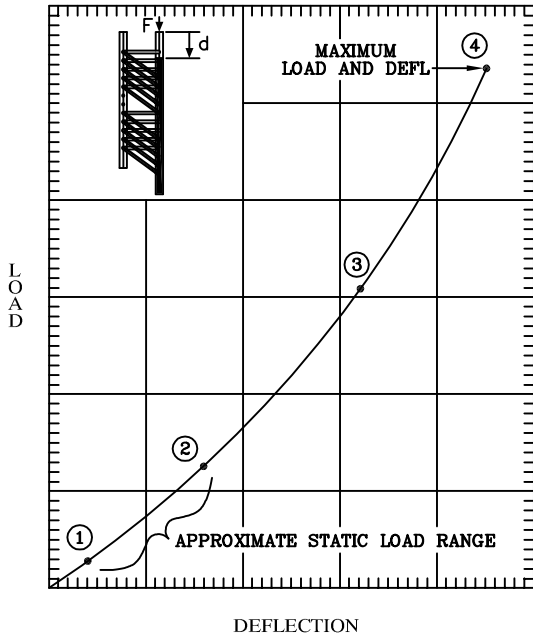
PART NO.	①		②		③		④		K <sub>v</sub> (VIBE) (lbs/in)	K <sub>s</sub> (SHOCK) (lbs/in)
	LOAD (lbs)	DEFL (in)	LOAD (lbs)	DEFL (in)	LOAD (lbs)	DEFL (in)	LOAD (lbs)	DEFL (in)		
M3-090-10	37	.05	80	.10	125	.15	235	.20	740	840
M3-100-10	29	.05	65	.10	100	.15	200	.25	580	670
M3-110-10	22	.05	48	.10	75	.15	177	.30	440	500
M3-130-10	11	.05	26	.10	45	.18	102	.35	220	250
M3-140-10	9.0	.05	20	.10	40	.20	96	.40	180	200
M3-150-10	7.0	.05	15	.10	36	.23	78	.45	140	160

ULTIMATE BREAKING STRENGTH ≈ 2k lbs

TOLL FREE : 888-ISOLATOR  
 FAX : (631) 491-5672  
 WEB SITE : www.isolator.com  
 E-MAIL : sales@isolator.com  
 CAGE : 07QQ7

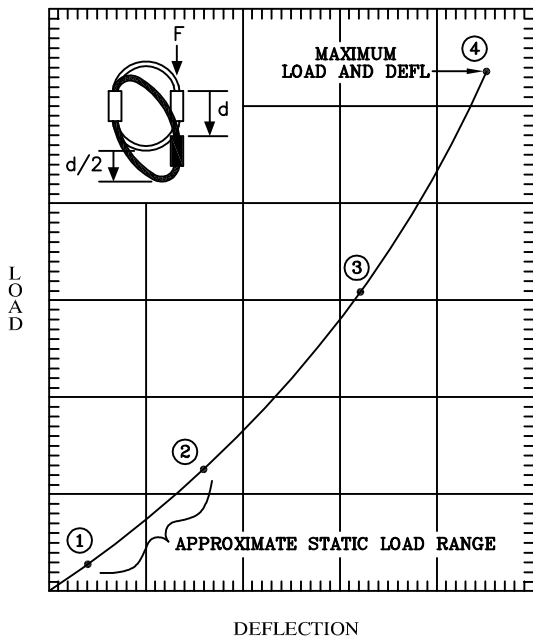


**SHEAR**

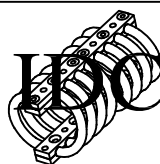


PART NO.	①		②		③		④		K <sub>v</sub> (VIBE) (lbs/in)	K <sub>s</sub> (SHOCK) (lbs/in)
	LOAD (lbs)	DEFL (in)	LOAD (lbs)	DEFL (in)	LOAD (lbs)	DEFL (in)	LOAD (lbs)	DEFL (in)		
M3-090-10	8.3	.05	18	.10	31	.18	80	.35	166	172
M3-100-10	6.5	.05	14	.10	26	.22	77	.45	130	118
M3-110-10	4.8	.05	10	.10	24	.28	66	.55	96	86
M3-130-10	2.3	.05	5.0	.10	14	.35	42	.70	46	40
M3-140-10	1.8	.05	4.0	.10	12	.40	38	.80	36	30
M3-150-10	1.4	.05	3.0	.10	10	.45	33	.90	28	22

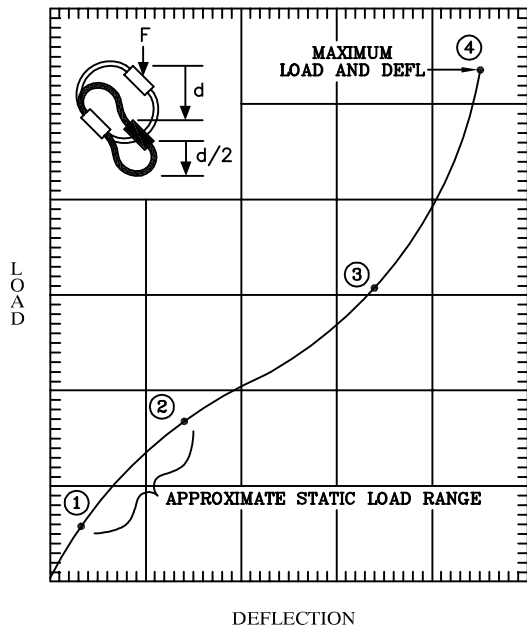
**ROLL**



PART NO.	①		②		③		④		K <sub>v</sub> (VIBE) (lbs/in)	K <sub>s</sub> (SHOCK) (lbs/in)
	LOAD (lbs)	DEFL (in)	LOAD (lbs)	DEFL (in)	LOAD (lbs)	DEFL (in)	LOAD (lbs)	DEFL (in)		
M3-090-10	8.3	.05	18	.10	31	.18	80	.35	166	172
M3-100-10	6.5	.05	14	.10	26	.22	77	.45	130	118
M3-110-10	4.8	.05	10	.10	24	.28	66	.55	96	86
M3-130-10	2.3	.05	5.0	.10	14	.35	42	.70	46	40
M3-140-10	1.8	.05	4.0	.10	12	.40	38	.80	36	30
M3-150-10	1.4	.05	3.0	.10	10	.45	33	.90	28	22

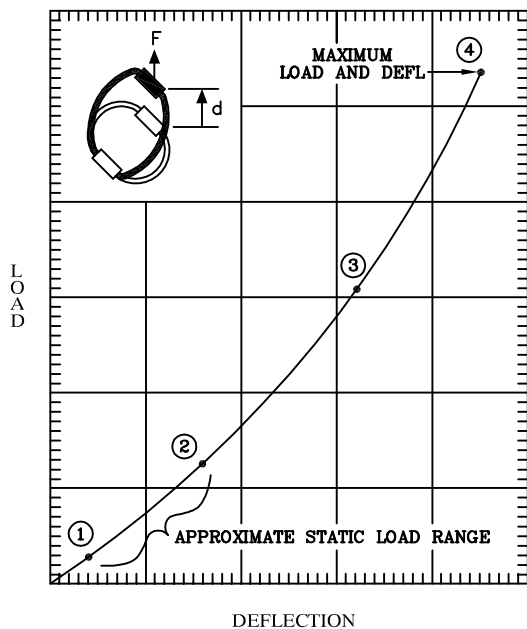


**45° COMPRESSION/ROLL**



PART NO.	①		②		③		④		K <sub>v</sub> (VIBE) (lbs/in)	K <sub>s</sub> (SHOCK) (lbs/in)
	LOAD (lbs)	DEFL (in)	LOAD (lbs)	DEFL (in)	LOAD (lbs)	DEFL (in)	LOAD (lbs)	DEFL (in)		
M3-090-10	19	.05	36	.10	55	.35	63	.50	380	160
M3-100-10	14	.05	28	.10	50	.45	60	.65	280	110
M3-110-10	11	.05	20	.10	44	.55	51	.77	220	80
M3-130-10	5.5	.05	10	.10	28	.70	33	1.00	110	40
M3-140-10	4.0	.05	8.0	.10	26	.80	30	1.12	80	33
M3-150-10	3.0	.05	6.0	.10	22	.90	25	1.25	60	25

**45° TENSION/ROLL**



PART NO.	①		②		③		④		K <sub>v</sub> (VIBE) (lbs/in)	K <sub>s</sub> (SHOCK) (lbs/in)
	LOAD (lbs)	DEFL (in)	LOAD (lbs)	DEFL (in)	LOAD (lbs)	DEFL (in)	LOAD (lbs)	DEFL (in)		
M3-090-10	21	.05	49	.10	95	.15	225	.30	420	630
M3-100-10	16	.05	40	.10	78	.18	195	.36	320	430
M3-110-10	12	.05	29	.10	68	.21	170	.42	240	325
M3-130-10	6.0	.05	15	.10	45	.25	120	.50	120	180
M3-140-10	4.5	.05	12	.10	36	.28	100	.56	90	130
M3-150-10	3.5	.05	9.0	.10	27	.32	80	.63	70	85

