

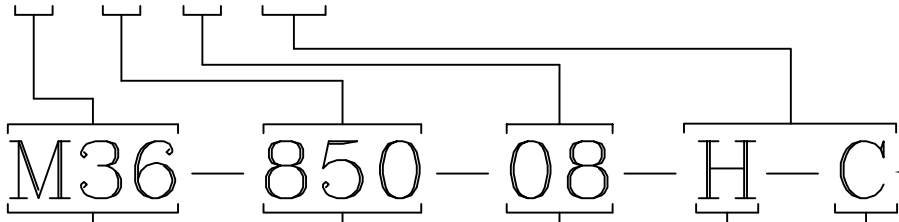
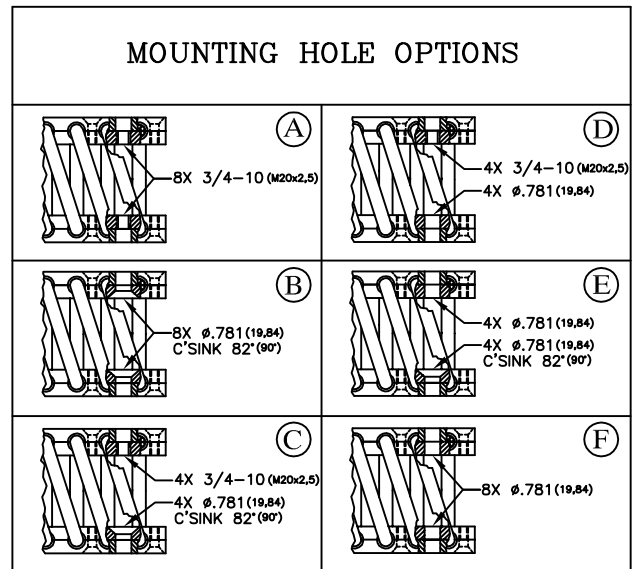
**FEATURES:**

- RUGGED ALL METAL CONSTRUCTION
- UNEQUALLED TEMP. RANGE: -200°F TO 500°F
- THREE AXIS CAPABILITY
- MAINTENANCE FREE
- FAIL SAFE DESIGN
- HIGH DAMPING: C/Cc ≈ .20
- EXCEPTIONAL RELIABILITY AND LONG LIFE

**MATERIALS/FINISHES:**

- CABLE: 300 SERIES SS PER RR-W-410
- SCREWS: 300 SERIES SS PASSIVATED IAW QQ-P-35C TYPE II
- INSERTS: 300 SERIES SS PER MS122088 (ALUM BARS ONLY)
- RETAINER BARS: SEE BELOW

PART NUMBER	DIMENSIONS, in.		ISOLATOR WEIGHT (SEE NOTE 3)
	H ± .10	W (REF)	
M36 - 700 - 08 - [ ]	7.00 (177,8)	8.75 (222,3)	46lbs (20,9kg)
M36 - 850 - 08 - [ ]	8.50 (215,9)	9.75 (247,7)	53lbs (24,0kg)
M36 - 925 - 08 - [ ]	9.25 (235,0)	10.50 (266,7)	61lbs (27,7kg)



**EXAMPLE**

M36-850 ISOLATOR WITH 8 LOOPS; 6061-T6 ALUM BARS WITH ANODIZE; 3/4-10 INSERTS ON ONE SIDE, 82° CSK ON OTHER SIDE,

SERIES	MODEL SIZE	NO. OF CABLE LOOPS	BAR MATERIAL/FINISH	MOUNTING HOLES
• CABLE DIAMETER IN 32NDS	• BASED ON ISOLATOR HEIGHT	• 8 LOOPS STANDARD FOR THE M36 SERIES. • ISOLATOR SPRING RATES ARE DIRECTLY PROPORTIONAL TO NO. OF CABLE LOOPS.	• [ ] = 6061-T6 ALUM ALLOY/CHEM FILM IAW MIL-DTL-5541, TYPE II, CL 3. • [H] = 6061-T6 ALUM ALLOY/ANODIZED IAW MIL-A-8625, TYPE II CLASS 1. • [S] = 300 SERIES SS/PASSIVATED IAW QQ-P-35C, TYPE II.	• SEE MOUNTING HOLE OPTIONS ABOVE. • ADD 'M' TO END OF P/N FOR METRIC MOUNTING HOLES. • ADD 'L' TO END OF P/N FOR LOCKING INSERTS.

**NOTES:**

- 1) ALL DIMENSIONS IN PARENTHESIS ARE METRIC (mm).
- 2) SPECIALS AVAILABLE UPON REQUEST (MATERIALS, SIZE, MOUNTING HOLES, FINISH, ETC...)
- 3) ADD 20lbs (9,1kg) TO ISOLATOR WEIGHT FOR ALL-STAINLESS STEEL VERSIONS.

TOLL FREE : 888-ISOLATOR  
FAX : (631) 491-5672  
WEB SITE : www.isolator.com  
E-MAIL : sales@isolator.com  
CAGE : 07QQ7

