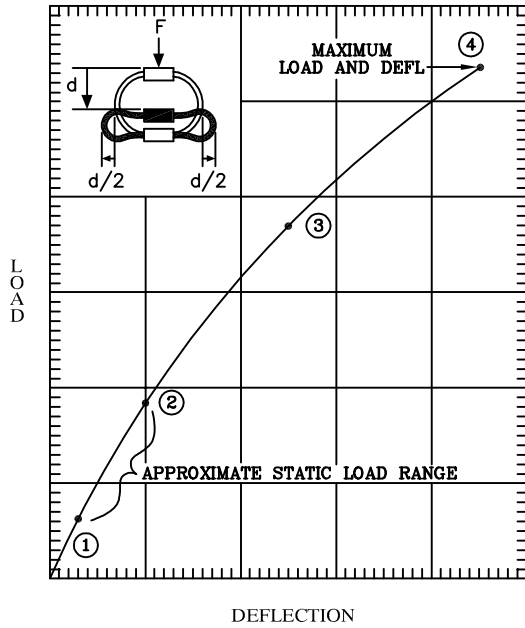
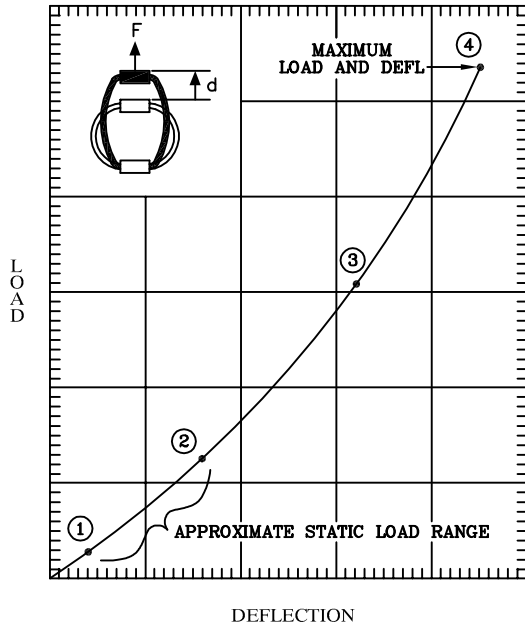


COMPRESSION



PART NO.	①		②		③		④		K _v (VIBE) (lbs/in)	K _s (SHOCK) (lbs/in)
	LOAD (lbs)	DEFL (in)	LOAD (lbs)	DEFL (in)	LOAD (lbs)	DEFL (in)	LOAD (lbs)	DEFL (in)		
M32-525-08	1230	.10	2640	.25	8000	1.00	14000	2.00	12320	8000
M32-600-08	990	.10	2110	.25	7580	1.25	13440	2.50	9900	6080
M32-625-08	850	.10	1840	.25	7500	1.50	11500	3.00	8640	5000
M32-750-08	600	.10	1250	.25	6000	2.00	8640	4.00	6100	3000
M32-850-08	350	.10	800	.25	4640	2.25	6900	4.50	3500	2080

TENSION



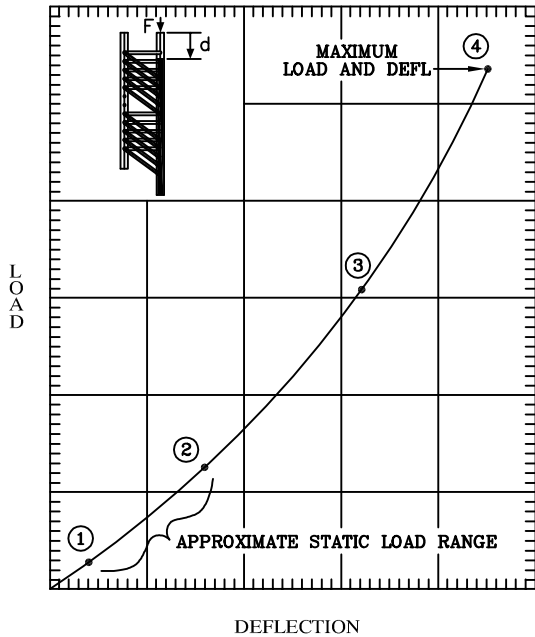
PART NO.	①		②		③		④		K _v (VIBE) (lbs/in)	K _s (SHOCK) (lbs/in)
	LOAD (lbs)	DEFL (in)	LOAD (lbs)	DEFL (in)	LOAD (lbs)	DEFL (in)	LOAD (lbs)	DEFL (in)		
M32-525-08	1340	.10	3780	.25	9600	.50	33900	1.00	13400	19200
M32-600-08	1090	.10	2980	.25	9120	.63	29180	1.25	10900	14480
M32-625-08	960	.10	2560	.25	9000	.75	22400	1.50	9600	12000
M32-750-08	675	.10	1760	.25	7200	1.00	18000	2.00	6700	7200
M32-850-08	385	.10	1120	.25	5600	1.13	14000	2.25	3850	5000

ULTIMATE BREAKING STRENGTH ≈50k lbs

TOLL FREE : 888-ISOLATOR
 FAX : (631) 491-5672
 WEB SITE : www.isolator.com
 E-MAIL : sales@isolator.com
 CAGE : 07QQ7

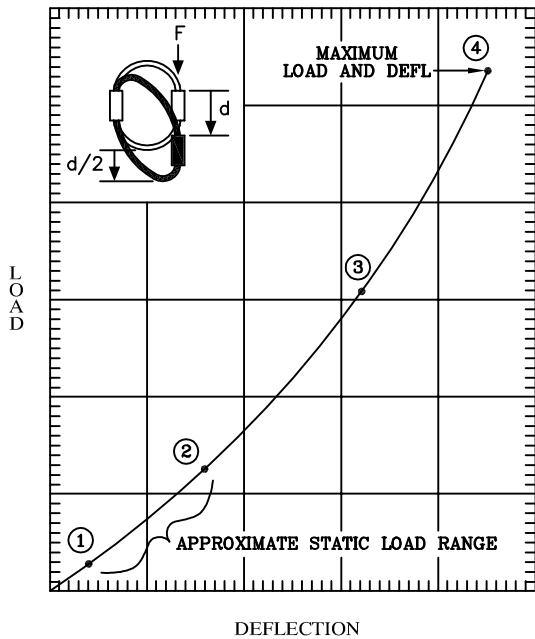


SHEAR

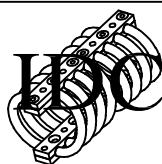


PART NO.	①		②		③		④		K _v (VIBE) (lbs/in)	K _s (SHOCK) (lbs/in)
	LOAD (lbs)	DEFL (in)	LOAD (lbs)	DEFL (in)	LOAD (lbs)	DEFL (in)	LOAD (lbs)	DEFL (in)		
M32-525-08	440	.10	1120	.25	4150	1.00	10250	2.00	4400	4650
M32-600-08	320	.10	830	.25	3500	1.25	9600	2.50	3200	3350
M32-625-08	225	.10	600	.25	3050	1.50	9100	3.00	2250	2400
M32-750-08	160	.10	420	.25	2400	2.00	6900	4.00	1600	1750
M32-850-08	90	.10	270	.25	1850	2.25	5500	4.50	880	1050

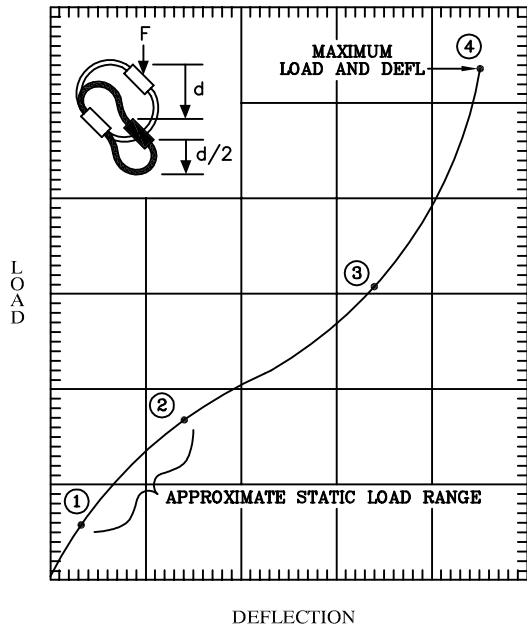
ROLL



PART NO.	①		②		③		④		K _v (VIBE) (lbs/in)	K _s (SHOCK) (lbs/in)
	LOAD (lbs)	DEFL (in)	LOAD (lbs)	DEFL (in)	LOAD (lbs)	DEFL (in)	LOAD (lbs)	DEFL (in)		
M32-525-08	440	.10	1120	.25	4150	1.00	10250	2.00	4400	4650
M32-600-08	320	.10	830	.25	3500	1.25	9600	2.50	3200	3350
M32-625-08	225	.10	600	.25	3050	1.50	9100	3.00	2250	2400
M32-750-08	160	.10	420	.25	2400	2.00	6900	4.00	1600	1750
M32-850-08	90	.10	270	.25	1850	2.25	5500	4.50	880	1050

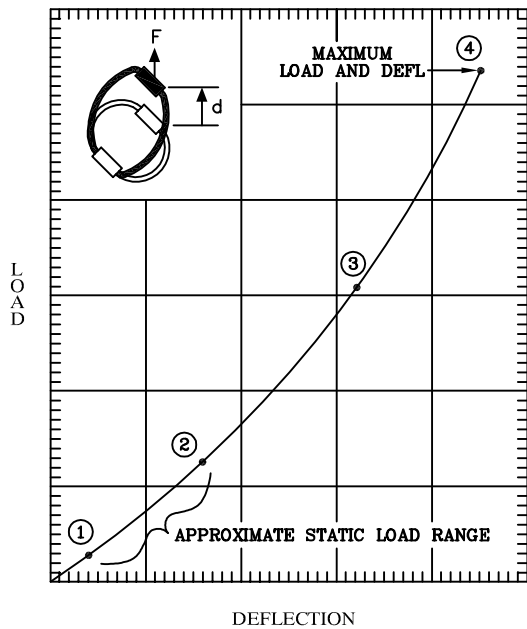


45° COMPRESSION/ROLL



PART NO.	①		②		③		④		K _v (VIBE) (lbs/in)	K _s (SHOCK) (lbs/in)
	LOAD (lbs)	DEFL (in)	LOAD (lbs)	DEFL (in)	LOAD (lbs)	DEFL (in)	LOAD (lbs)	DEFL (in)		
M32-525-08	1000	.10	2250	.25	6400	2.00	8000	2.75	10000	4000
M32-600-08	720	.10	1700	.25	6100	2.50	7600	3.50	7200	2900
M32-625-08	560	.10	1200	.25	5750	3.00	7200	4.25	5600	2400
M32-750-08	350	.10	800	.25	4300	4.00	5450	5.50	3500	1300
M32-850-08	200	.10	520	.25	3450	4.50	4300	6.25	2000	960

45° TENSION/ROLL



PART NO.	①		②		③		④		K _v (VIBE) (lbs/in)	K _s (SHOCK) (lbs/in)
	LOAD (lbs)	DEFL (in)	LOAD (lbs)	DEFL (in)	LOAD (lbs)	DEFL (in)	LOAD (lbs)	DEFL (in)		
M32-525-08	1100	.10	3000	.25	9900	.70	24800	1.40	10800	14200
M32-600-08	800	.10	2250	.25	9450	.88	23200	1.75	8000	10700
M32-625-08	600	.10	1600	.25	7700	1.00	19200	2.00	6000	7700
M32-750-08	400	.10	1050	.25	7000	1.38	17200	2.75	4000	5000
M32-850-08	225	.10	750	.25	5450	1.50	13600	3.00	2250	3500

