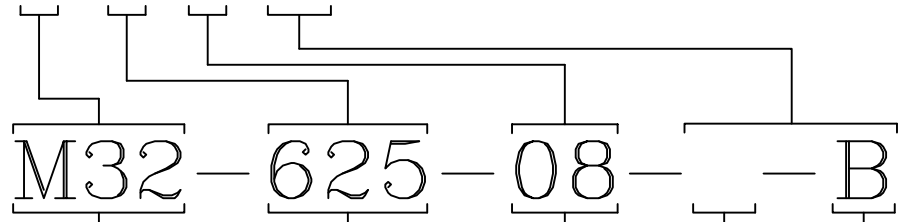
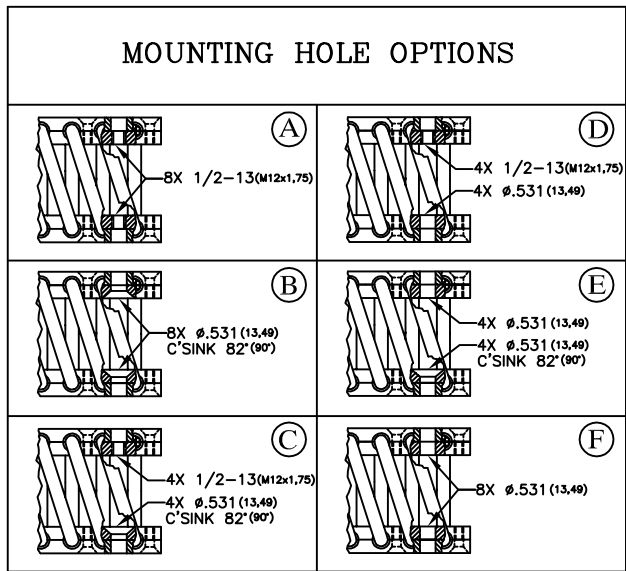


- FEATURES:**
- RUGGED ALL METAL CONSTRUCTION
  - UNEQUALLED TEMP. RANGE: -200°F TO 500°F
  - THREE AXIS CAPABILITY
  - MAINTENANCE FREE
  - FAIL SAFE DESIGN
  - HIGH DAMPING: C/Cc ≈ .20
  - EXCEPTIONAL RELIABILITY AND LONG LIFE
- MATERIALS/FINISHES:**
- CABLE: 300 SERIES SS PER RR-W-410
  - SCREWS: 300 SERIES SS PASSIVATED IAW QQ-P-35C TYPE II
  - INSERTS: 300 SERIES SS PER MS122085 (ALUM BARS ONLY)
  - RETAINER BARS: SEE BELOW

PART NUMBER	DIMENSIONS, in.		ISOLATOR WEIGHT (SEE NOTE 3)
	H ±.10	W (REF)	
M32 - 525 - 08 - [ ]	5.25 (133,4)	7.00 (177,8)	22lbs (9,98kg)
M32 - 600 - 08 - [ ]	6.00 (152,4)	7.50 (190,5)	23lbs (10,43kg)
M32 - 625 - 08 - [ ]	6.25 (158,8)	7.75 (196,9)	24lbs (10,89kg)
M32 - 750 - 08 - [ ]	7.50 (190,5)	8.50 (215,9)	28lbs (12,70kg)
M32 - 850 - 08 - [ ]	8.50 (215,9)	9.50 (241,3)	32lbs (14,51kg)



**EXAMPLE**  
M32-625 ISOLATOR WITH 8 LOOPS;  
6061-T6 ALUM BARS WITH CHEM FILM;  
82° CSK THRU HOLES ON BOTH SIDES.

SERIES	MODEL SIZE	NO. OF CABLE LOOPS	BAR MATERIAL/FINISH	MOUNTING HOLES
• CABLE DIAMETER IN 32NDS	• BASED ON ISOLATOR HEIGHT	• 8 LOOPS STANDARD FOR THE M32 SERIES. • ISOLATOR SPRING RATES ARE DIRECTLY PROPORTIONAL TO NO. OF CABLE LOOPS.	• [ ] = 6061-T6 ALUM ALLOY/CHEM FILM IAW MIL-DTL-5541, TYPE II, CL 3. • [H] = 6061-T6 ALUM ALLOY/ANODIZED IAW MIL-A-8625, TYPE II • [S] = 300 SERIES SS/PASSIVATED IAW QQ-P-35C, TYPE II.	• SEE MOUNTING HOLE OPTIONS ABOVE. • ADD 'M' TO END OF P/N FOR METRIC MOUNTING HOLES. • ADD 'L' TO END OF P/N FOR LOCKING INSERTS.

- NOTES:**
- 1) ALL DIMENSIONS IN PARENTHESIS ARE METRIC (mm).
  - 2) SPECIALS AVAILABLE UPON REQUEST (MATERIALS, SIZE, MOUNTING HOLES, FINISH, ETC...)
  - 3) ADD 7lbs (3,2kg) TO ISOLATOR WEIGHT FOR ALL-STAINLESS STEEL VERSIONS.

TOLL FREE : 888-ISOLATOR  
FAX : (631) 491-5672  
WEB SITE : www.isolator.com  
E-MAIL : sales@isolator.com  
CAGE : 07QQ7

