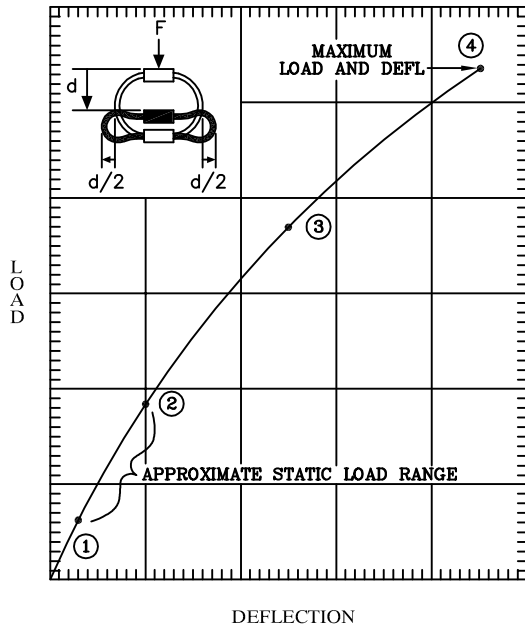
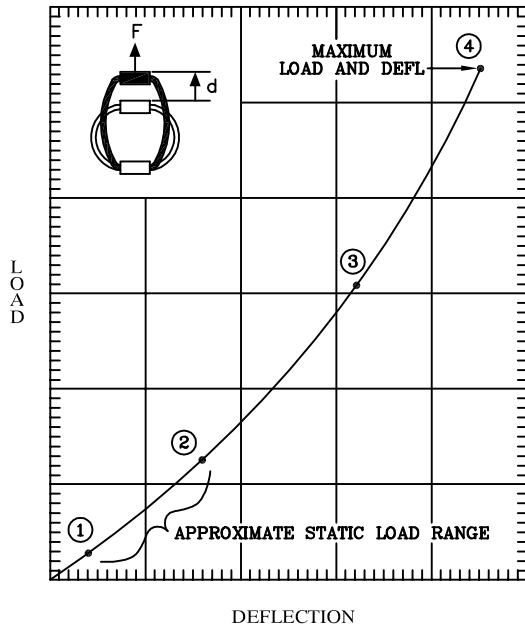


COMPRESSION



PART NO.	①		②		③		④		K _v (VIBE) (lbs/in)	K _s (SHOCK) (lbs/in)
	LOAD (lbs)	DEFL (in)	LOAD (lbs)	DEFL (in)	LOAD (lbs)	DEFL (in)	LOAD (lbs)	DEFL (in)		
M28-525-08	770	.10	1650	.25	5000	1.00	8750	2.00	7700	5000
M28-600-08	620	.10	1320	.25	4740	1.25	8400	2.50	6200	3790
M28-625-08	540	.10	1150	.25	4700	1.50	7200	3.00	5400	3150
M28-750-08	380	.10	780	.25	3750	2.00	5400	4.00	3800	1875
M28-850-08	220	.10	500	.25	2900	2.25	4300	4.50	2200	1300

TENSION

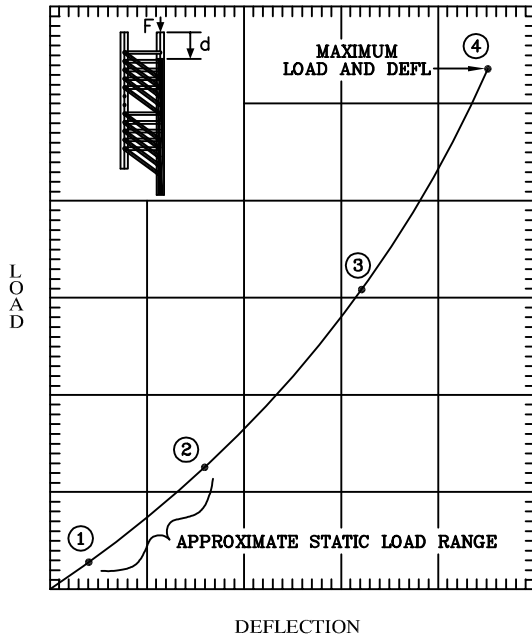


PART NO.	①		②		③		④		K _v (VIBE) (lbs/in)	K _s (SHOCK) (lbs/in)
	LOAD (lbs)	DEFL (in)	LOAD (lbs)	DEFL (in)	LOAD (lbs)	DEFL (in)	LOAD (lbs)	DEFL (in)		
M28-525-08	840	.10	2360	.25	6000	.50	21200	1.00	8400	12000
M28-600-08	680	.10	1860	.25	5700	.63	18240	1.25	6800	9050
M28-625-08	600	.10	1600	.25	5600	.75	14000	1.50	6000	7500
M28-750-08	420	.10	1100	.25	4500	1.00	11250	2.00	4200	4500
M28-850-08	240	.10	700	.25	3500	1.13	8700	2.25	2400	3100

ULTIMATE BREAKING STRENGTH ≈ 50k lbs

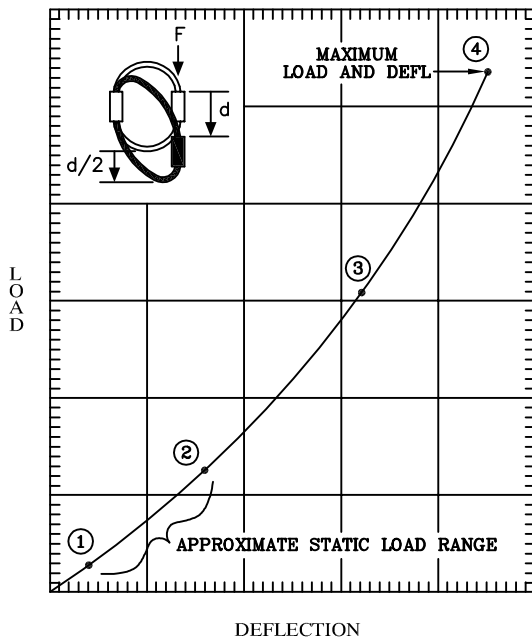


SHEAR



PART NO.	①		②		③		④		K _v (VIBE) (lbs/in)	K _s (SHOCK) (lbs/in)
	LOAD (lbs)	DEFL (in)	LOAD (lbs)	DEFL (in)	LOAD (lbs)	DEFL (in)	LOAD (lbs)	DEFL (in)		
M28-525-08	275	.10	700	.25	2600	1.00	6400	2.00	2750	2900
M28-600-08	200	.10	520	.25	2200	1.25	6000	2.50	2000	2100
M28-625-08	140	.10	380	.25	1900	1.50	5700	3.00	1400	1500
M28-750-08	100	.10	260	.25	1500	2.00	4300	4.00	1000	1100
M28-850-08	55	.10	170	.25	1150	2.25	3450	4.50	550	650

ROLL

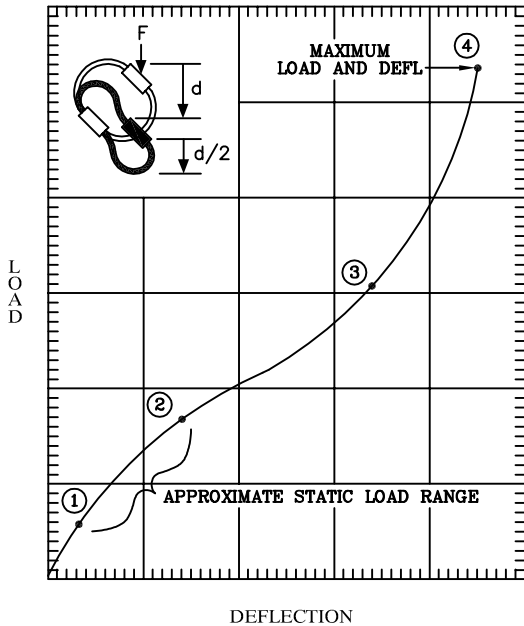


PART NO.	①		②		③		④		K _v (VIBE) (lbs/in)	K _s (SHOCK) (lbs/in)
	LOAD (lbs)	DEFL (in)	LOAD (lbs)	DEFL (in)	LOAD (lbs)	DEFL (in)	LOAD (lbs)	DEFL (in)		
M28-525-08	275	.10	700	.25	2600	1.00	6400	2.00	2750	2900
M28-600-08	200	.10	520	.25	2200	1.25	6000	2.50	2000	2100
M28-625-08	140	.10	380	.25	1900	1.50	5700	3.00	1400	1500
M28-750-08	100	.10	260	.25	1500	2.00	4300	4.00	1000	1100
M28-850-08	55	.10	170	.25	1150	2.25	3450	4.50	550	650

TOLL FREE : 888-ISOLATOR
 FAX : (631) 491-5672
 WEB SITE : www.isolator.com
 E-MAIL : sales@isolator.com
 CAGE : 07QQ7

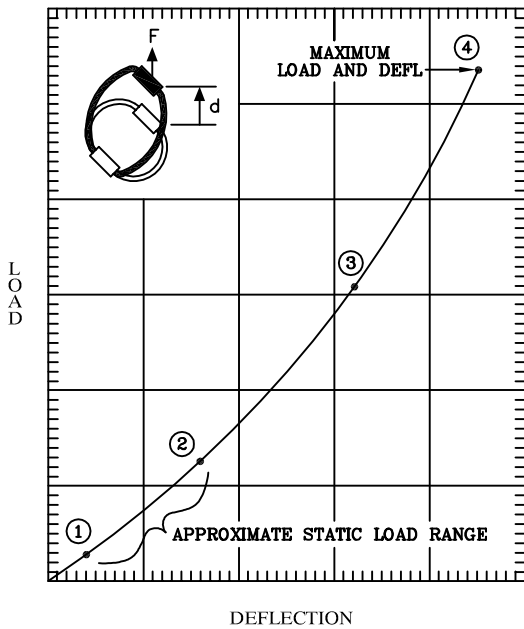


45° COMPRESSION/ROLL



PART NO.	①		②		③		④		K _V (VIBE) (lbs/in)	K _S (SHOCK) (lbs/in)
	LOAD (lbs)	DEFL (in)	LOAD (lbs)	DEFL (in)	LOAD (lbs)	DEFL (in)	LOAD (lbs)	DEFL (in)		
M28-525-08	625	.10	1400	.25	4000	2.00	5000	2.75	6250	2500
M28-600-08	450	.10	1050	.25	3800	2.50	4750	3.50	4500	1800
M28-625-08	350	.10	750	.25	3600	3.00	4500	4.25	3500	1500
M28-750-08	220	.10	500	.25	2700	4.00	3400	5.50	2200	800
M28-850-08	125	.10	325	.25	2150	4.50	2700	6.25	1250	600

45° TENSION/ROLL



PART NO.	①		②		③		④		K _V (VIBE) (lbs/in)	K _S (SHOCK) (lbs/in)
	LOAD (lbs)	DEFL (in)	LOAD (lbs)	DEFL (in)	LOAD (lbs)	DEFL (in)	LOAD (lbs)	DEFL (in)		
M28-525-08	675	.10	1850	.25	6200	.70	15500	1.40	6750	8850
M28-600-08	500	.10	1400	.25	5900	.88	14500	1.75	5000	6700
M28-625-08	375	.10	1000	.25	4800	1.00	12000	2.00	3750	4800
M28-750-08	250	.10	650	.25	4300	1.38	10750	2.75	2500	3100
M28-850-08	140	.10	475	.25	3400	1.50	8500	3.00	1400	2200

