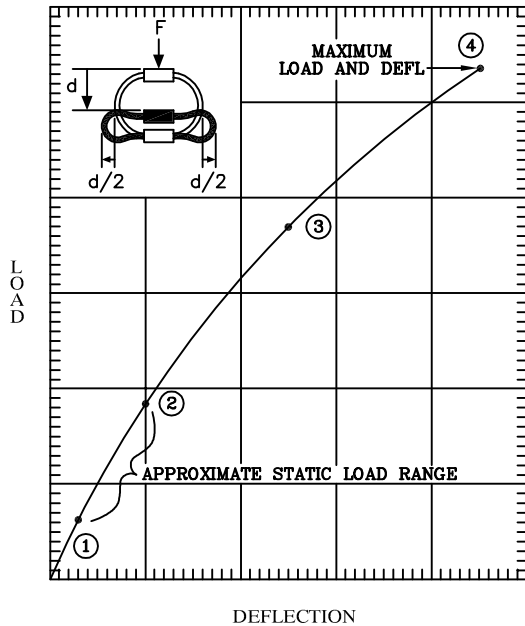
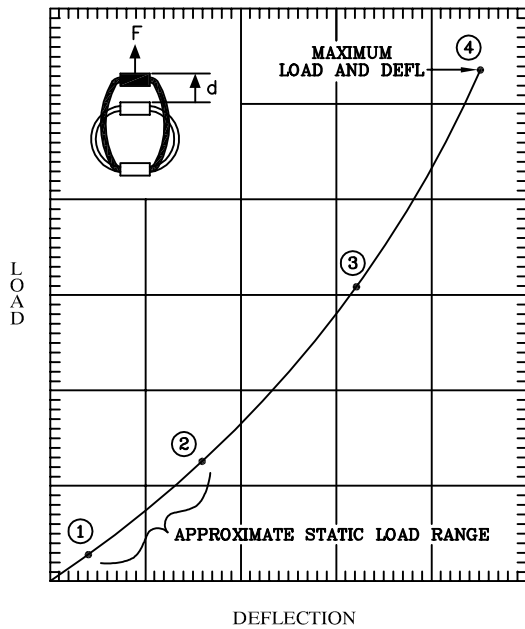


COMPRESSION



PART NO.	①		②		③		④		K _v (VIBE) (lbs/in)	K _s (SHOCK) (lbs/in)
	LOAD (lbs)	DEFL (in)	LOAD (lbs)	DEFL (in)	LOAD (lbs)	DEFL (in)	LOAD (lbs)	DEFL (in)		
M24-400-08	1200	.10	2400	.25	5200	.75	8300	1.50	12000	7500
M24-440-08	840	.10	1680	.25	5000	1.00	7400	2.00	8400	5000
M24-480-08	550	.10	1040	.25	3100	1.13	5500	2.25	5500	2750
M24-520-08	360	.10	750	.25	2700	1.25	4700	2.50	3600	2150
M24-550-08	240	.10	550	.25	2340	1.50	4000	3.00	2400	1560

TENSION



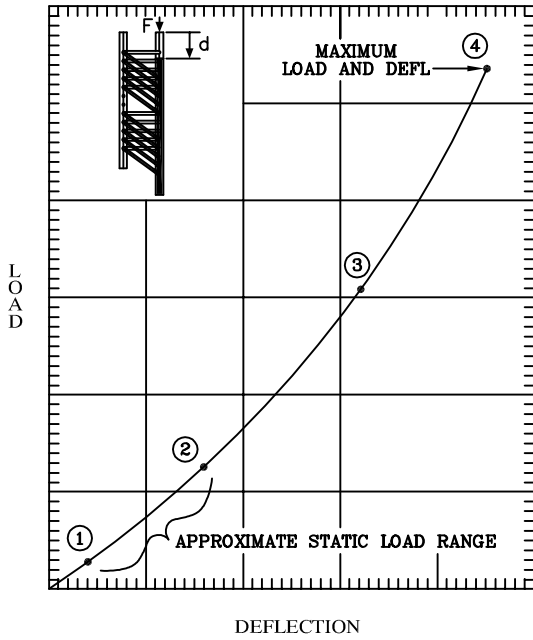
PART NO.	①		②		③		④		K _v (VIBE) (lbs/in)	K _s (SHOCK) (lbs/in)
	LOAD (lbs)	DEFL (in)	LOAD (lbs)	DEFL (in)	LOAD (lbs)	DEFL (in)	LOAD (lbs)	DEFL (in)		
M24-400-08	1400	.10	3350	.25	8000	.44	19800	.88	14000	18000
M24-440-08	920	.10	2350	.25	6000	.50	15000	1.00	9200	12000
M24-480-08	600	.10	1450	.25	3800	.56	9400	1.13	6000	7200
M24-520-08	400	.10	1050	.25	3200	.63	8000	1.25	4000	5000
M24-550-08	270	.10	750	.25	2800	.75	7000	1.50	2700	3700

ULTIMATE BREAKING STRENGTH ≈ 30k lbs

TOLL FREE : 888-ISOLATOR
 FAX : (631) 491-5672
 WEB SITE : www.isolator.com
 E-MAIL : sales@isolator.com
 CAGE : 07QQ7

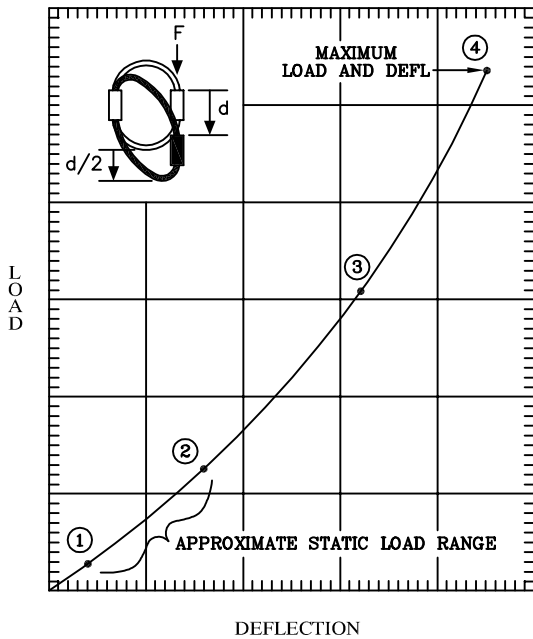


SHEAR



PART NO.	①		②		③		④		K _v (VIBE) (lbs/in)	K _s (SHOCK) (lbs/in)
	LOAD (lbs)	DEFL (in)	LOAD (lbs)	DEFL (in)	LOAD (lbs)	DEFL (in)	LOAD (lbs)	DEFL (in)		
M24-400-08	300	.10	800	.25	2650	.88	7800	1.75	3000	3200
M24-440-08	210	.10	550	.25	2000	1.00	6000	2.00	2000	2200
M24-480-08	140	.10	350	.25	1350	1.13	4400	2.25	1400	1500
M24-520-08	90	.10	250	.25	1080	1.25	3800	2.50	900	1000
M24-550-08	60	.10	180	.25	950	1.50	3200	3.00	600	700

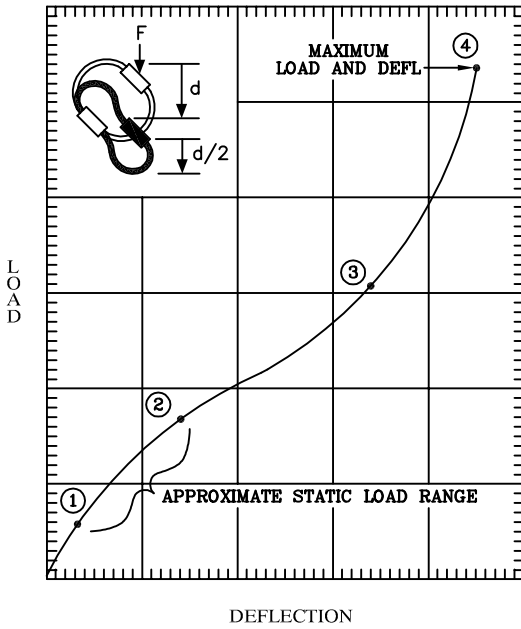
ROLL



PART NO.	①		②		③		④		K _v (VIBE) (lbs/in)	K _s (SHOCK) (lbs/in)
	LOAD (lbs)	DEFL (in)	LOAD (lbs)	DEFL (in)	LOAD (lbs)	DEFL (in)	LOAD (lbs)	DEFL (in)		
M24-400-08	300	.10	800	.25	2650	.88	7800	1.75	3000	3200
M24-440-08	210	.10	550	.25	2000	1.00	6000	2.00	2000	2200
M24-480-08	140	.10	350	.25	1250	1.13	4400	2.25	1400	1500
M24-520-08	90	.10	250	.25	1080	1.25	3800	2.50	900	1000
M24-550-08	60	.10	180	.25	950	1.50	3200	3.00	600	700

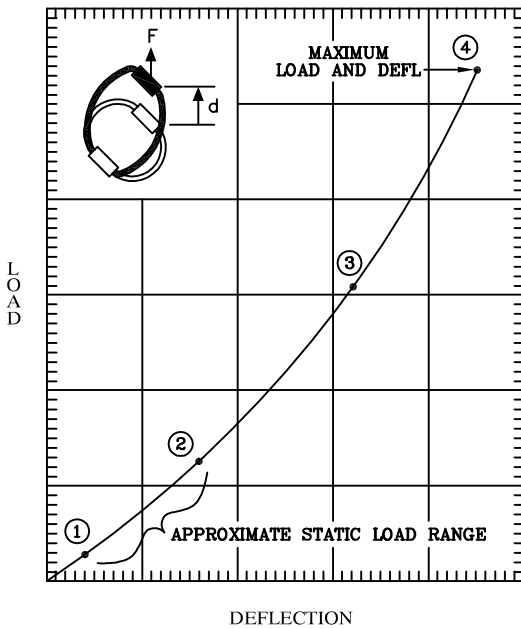


45° COMPRESSION/ROLL



PART NO.	①		②		③		④		K _v (VIBE) (lbs/in)	K _s (SHOCK) (lbs/in)
	LOAD (lbs)	DEFL (in)	LOAD (lbs)	DEFL (in)	LOAD (lbs)	DEFL (in)	LOAD (lbs)	DEFL (in)		
M24-400-08	700	.10	1600	.25	5000	1.75	6250	2.50	7000	3000
M24-440-08	500	.10	1100	.25	3800	2.00	4800	2.75	5000	1800
M24-480-08	320	.10	700	.25	2800	2.25	3500	3.15	3200	1400
M24-520-08	220	.10	480	.25	2400	2.50	3000	3.50	2200	1000
M24-550-08	140	.10	320	.25	2000	3.00	2500	4.25	1400	700

45° TENSION/ROLL



PART NO.	①		②		③		④		K _v (VIBE) (lbs/in)	K _s (SHOCK) (lbs/in)
	LOAD (lbs)	DEFL (in)	LOAD (lbs)	DEFL (in)	LOAD (lbs)	DEFL (in)	LOAD (lbs)	DEFL (in)		
M24-400-08	750	.10	2100	.25	6000	.63	15000	1.25	7500	9400
M24-440-08	550	.10	1450	.25	4800	.70	12000	1.40	5500	6800
M24-480-08	350	.10	900	.25	3500	.80	8800	1.60	3500	4400
M24-520-08	250	.10	650	.25	2800	.88	7000	1.75	2500	3200
M24-550-08	150	.10	450	.25	2160	1.00	5400	2.00	1500	2100

TOLL FREE : 888-ISOLATOR
 FAX : (631) 491-5672
 WEB SITE : www.isolator.com
 E-MAIL : sales@isolator.com
 CAGE : 07QQ7

