

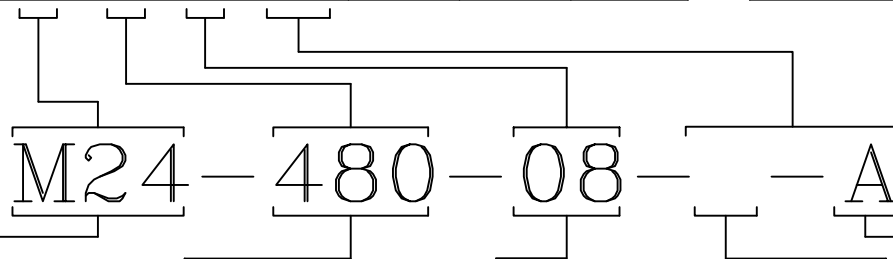
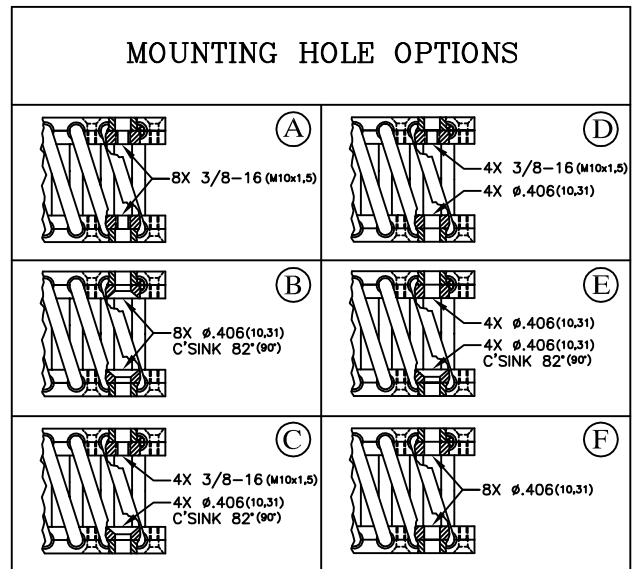
FEATURES:

- RUGGED ALL METAL CONSTRUCTION
- UNEQUALLED TEMP. RANGE: -200°F TO 500°F
- THREE AXIS CAPABILITY
- MAINTENANCE FREE
- FAIL SAFE DESIGN
- HIGH DAMPING: C/Cc ≈ .20
- EXCEPTIONAL RELIABILITY AND LONG LIFE

MATERIALS/FINISHES:

- CABLE: 300 SERIES SS PER RR-W-410
- SCREWS: 300 SERIES SS PASSIVATED IAW QQ-P-35C TYPE II
- INSERTS: 300 SERIES SS PER MS122083 (ALUM BARS ONLY)
- RETAINER BARS: SEE BELOW

PART NUMBER	DIMENSIONS, in.		ISOLATOR WEIGHT (SEE NOTE 3)
	H ± .06	W (REF)	
M24 - 400 - 08 - []	4.00 (95,3)	4.65 (111,8)	8.21lbs (3,73kg)
M24 - 440 - 08 - []	4.40 (105,4)	5.55 (134,8)	9.21lbs (4,18kg)
M24 - 480 - 08 - []	4.80 (115,6)	6.25 (152,4)	10.31lbs (4,68kg)
M24 - 520 - 08 - []	5.20 (125,7)	6.75 (165,1)	11.21lbs (5,09kg)
M24 - 550 - 08 - []	5.50 (133,4)	7.25 (184,2)	12.01lbs (5,45kg)



EXAMPLE

M24-480 ISOLATOR WITH 8 LOOPS; 6061-T6 ALUM BARS WITH CHEM FILM; 3/8-16 INSERTS ON BOTH SIDES.

SERIES	MODEL SIZE	NO. OF CABLE LOOPS	BAR MATERIAL/FINISH	MOUNTING HOLES
• CABLE DIAMETER IN 32NDS	• BASED ON ISOLATOR HEIGHT	• 8 LOOPS STANDARD FOR THE M24 SERIES. • ISOLATOR SPRING RATES ARE DIRECTLY PROPORTIONAL TO NO. OF CABLE LOOPS.	• [] = 6061-T6 ALUM ALLOY/CHEM FILM IAW MIL-DTL-5541, TYPE II, CL 3. • [H] = 6061-T6 ALUM ALLOY/ANODIZED IAW MIL-A-8625, TYPE II CLASS 1. • [S] = 300 SERIES SS/PASSIVATED IAW QQ-P-35C, TYPE II.	• SEE MOUNTING HOLE OPTIONS ABOVE. • ADD 'M' TO END OF P/N FOR METRIC MOUNTING HOLES. • ADD 'L' TO END OF P/N FOR LOCKING INSERTS.

NOTES:

- 1) ALL DIMENSIONS IN PARENTHESIS ARE METRIC (mm).
- 2) SPECIALS AVAILABLE UPON REQUEST (MATERIALS, SIZE, MOUNTING HOLES, FINISH, ETC...)
- 3) ADD 3.81lbs (1,7kg) TO ISOLATOR WEIGHT FOR ALL-STAINLESS STEEL VERSIONS.

TOLL FREE : 888-ISOLATOR
FAX : (631) 491-5672
WEB SITE : www.isolator.com
E-MAIL : sales@isolator.com
CAGE : 07QQ7

