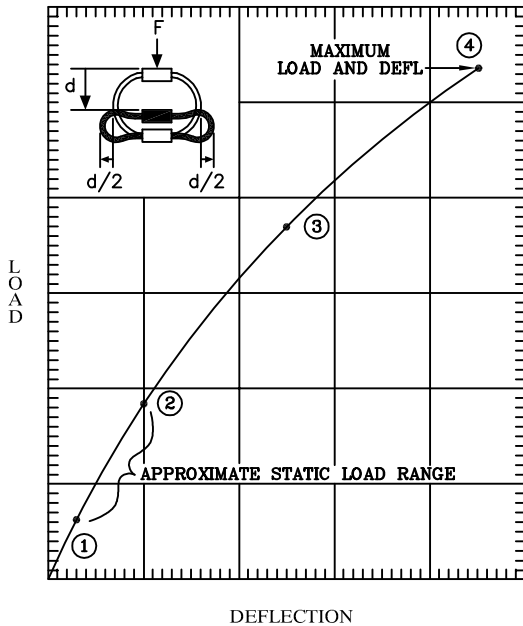
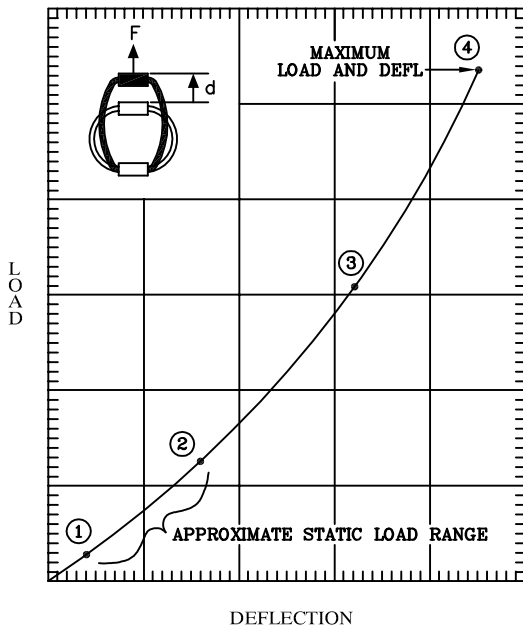


COMPRESSION



PART NO.	①		②		③		④		K _v (VIBE) (lbs/in)	K _s (SHOCK) (lbs/in)
	LOAD (lbs)	DEFL (in)	LOAD (lbs)	DEFL (in)	LOAD (lbs)	DEFL (in)	LOAD (lbs)	DEFL (in)		
M20-350-08	900	.10	1680	.25	3600	.63	6000	1.25	9000	5700
M20-390-08	600	.10	1200	.25	3300	.88	4900	1.75	6000	3750
M20-430-08	420	.10	840	.25	2500	1.00	3700	2.00	4200	2500
M20-470-08	275	.10	520	.25	1560	1.13	2760	2.25	2750	1380
M20-500-08	180	.10	375	.25	1350	1.25	2350	2.50	1800	1080
M20-530-08	120	.10	275	.25	1170	1.50	2000	3.00	1200	780

TENSION

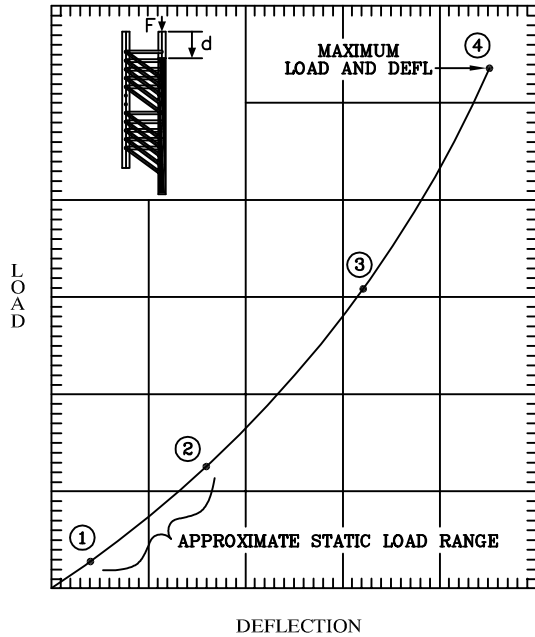


PART NO.	①		②		③		④		K _v (VIBE) (lbs/in)	K _s (SHOCK) (lbs/in)
	LOAD (lbs)	DEFL (in)	LOAD (lbs)	DEFL (in)	LOAD (lbs)	DEFL (in)	LOAD (lbs)	DEFL (in)		
M20-350-08	1000	.10	2350	.25	4300	.32	10800	.63	10000	13400
M20-390-08	700	.10	1680	.25	4000	.44	9900	.88	7000	9000
M20-430-08	480	.10	1175	.25	3000	.50	7500	1.00	4600	6000
M20-470-08	300	.10	725	.25	1900	.56	4700	1.13	3000	3600
M20-500-08	200	.10	525	.25	1600	.63	4000	1.25	2000	2500
M20-530-08	135	.10	375	.25	1400	.75	3500	1.50	1350	1850

ULTIMATE BREAKING STRENGTH ≈ 30k lbs

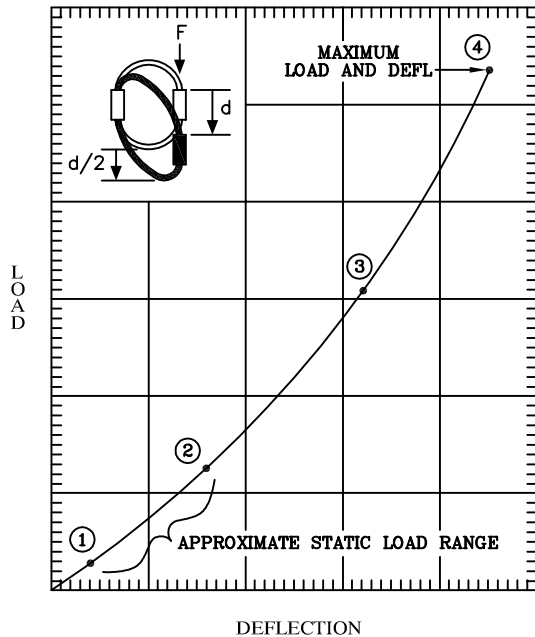


SHEAR

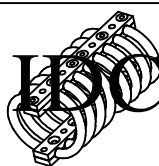


PART NO.	①		②		③		④		K _v (VIBE) (lbs/in)	K _s (SHOCK) (lbs/in)
	LOAD (lbs)	DEFL. (in)	LOAD (lbs)	DEFL. (in)	LOAD (lbs)	DEFL. (in)	LOAD (lbs)	DEFL. (in)		
M20-350-08	225	.10	560	.25	1440	.63	4800	1.25	2200	2400
M20-390-08	150	.10	400	.25	1320	.88	3900	1.75	1500	1600
M20-430-08	105	.10	275	.25	1000	1.00	3000	2.00	1000	1100
M20-470-08	70	.10	175	.25	625	1.13	2200	2.25	700	750
M20-500-08	45	.10	125	.25	540	1.25	1900	2.50	450	500
M20-530-08	30	.10	90	.25	475	1.50	1600	3.00	300	350

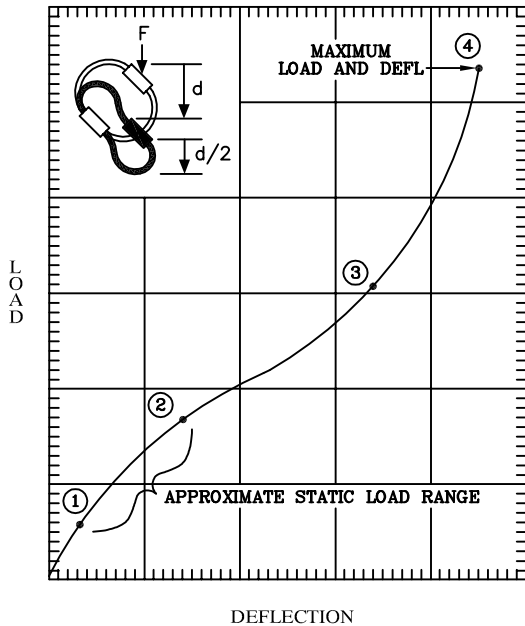
ROLL



PART NO.	①		②		③		④		K _v (VIBE) (lbs/in)	K _s (SHOCK) (lbs/in)
	LOAD (lbs)	DEFL. (in)	LOAD (lbs)	DEFL. (in)	LOAD (lbs)	DEFL. (in)	LOAD (lbs)	DEFL. (in)		
M20-350-08	225	.10	560	.25	1440	.63	4800	1.25	2200	2400
M20-390-08	150	.10	400	.25	1320	.88	3900	1.75	1500	1600
M20-430-08	105	.10	275	.25	1000	1.00	3000	2.00	1000	1100
M20-470-08	70	.10	175	.25	625	1.13	2200	2.25	700	750
M20-500-08	45	.10	125	.25	540	1.25	1900	2.50	450	500
M20-530-08	30	.10	90	.25	475	1.50	1600	3.00	300	350

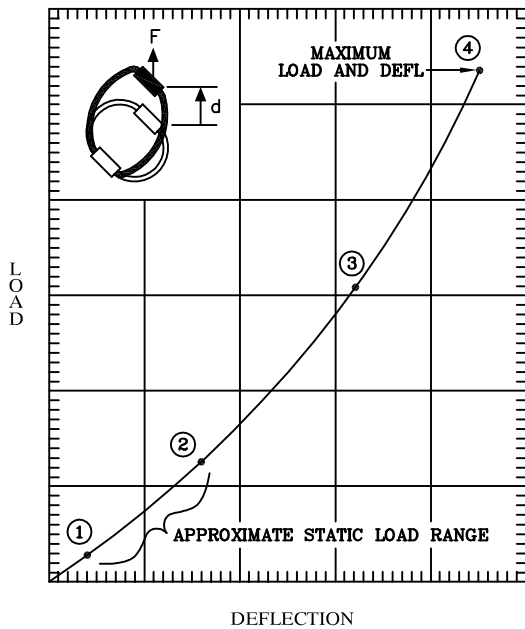


45° COMPRESSION/ROLL



PART NO.	①		②		③		④		K _v (VIBE) (lbs/in)	K _s (SHOCK) (lbs/in)
	LOAD (lbs)	DEFL (in)	LOAD (lbs)	DEFL (in)	LOAD (lbs)	DEFL (in)	LOAD (lbs)	DEFL (in)		
M20-350-08	525	.10	1125	.25	3000	1.25	3750	1.75	5250	2400
M20-390-08	350	.10	800	.25	2500	1.75	3125	2.50	3500	1500
M20-430-08	250	.10	550	.25	1900	2.00	2400	2.75	2500	900
M20-470-08	160	.10	350	.25	1400	2.25	1750	3.15	1600	700
M20-500-08	110	.10	240	.25	1200	2.50	1500	3.50	1100	500
M20-530-08	70	.10	160	.25	1000	3.00	1250	4.25	700	350

45° TENSION/ROLL



PART NO.	①		②		③		④		K _v (VIBE) (lbs/in)	K _s (SHOCK) (lbs/in)
	LOAD (lbs)	DEFL (in)	LOAD (lbs)	DEFL (in)	LOAD (lbs)	DEFL (in)	LOAD (lbs)	DEFL (in)		
M20-350-08	575	.10	1450	.25	3200	.44	8000	.88	5750	7200
M20-390-08	375	.10	1050	.25	3000	.63	7500	1.25	3750	4700
M20-430-08	275	.10	725	.25	2400	.70	6000	1.40	2750	3400
M20-470-08	175	.10	450	.25	1750	.80	4400	1.60	1750	2200
M20-500-08	125	.10	325	.25	1400	.88	3500	1.75	1250	1600
M20-530-08	75	.10	225	.25	1080	1.00	2700	2.00	750	1050

