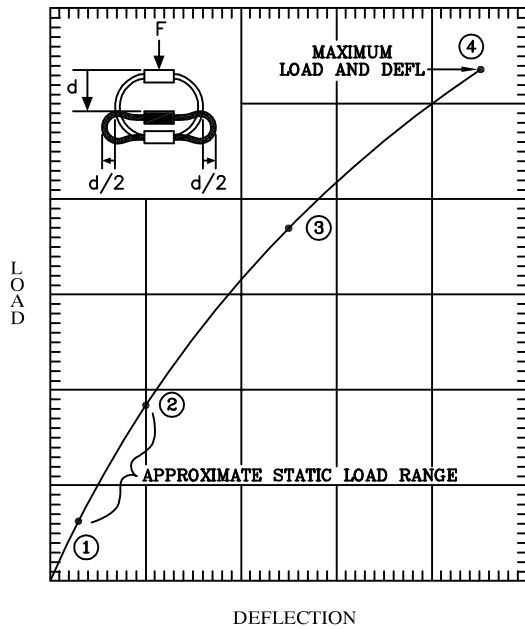
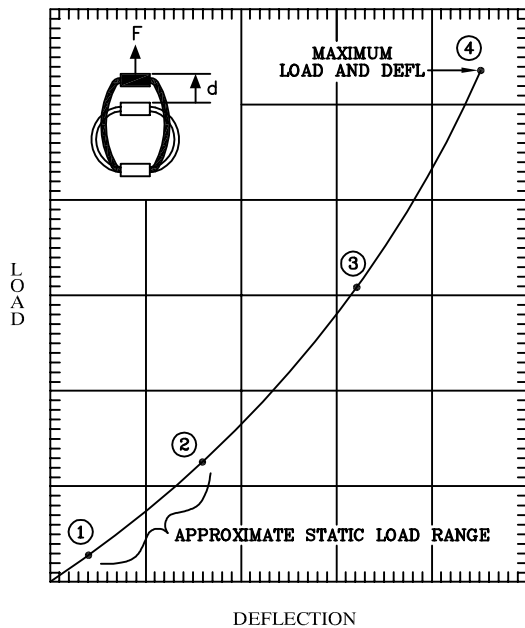


**COMPRESSION**



PART NO.	①		②		③		④		K <sub>v</sub> (VIBE) (lbs/in)	K <sub>s</sub> (SHOCK) (lbs/in)
	LOAD (lbs)	DEFL (in)	LOAD (lbs)	DEFL (in)	LOAD (lbs)	DEFL (in)	LOAD (lbs)	DEFL (in)		
M16-325-08	600	.10	925	.25	2000	.75	2760	1.50	6000	2700
M16-350-08	420	.10	700	.25	1740	.88	2460	1.75	4200	1980
M16-375-08	330	.10	540	.25	1500	1.00	2100	2.00	3300	1500
M16-425-08	180	.10	300	.25	1080	1.25	1570	2.50	1800	870
M16-490-08	140	.10	240	.25	1000	1.50	1440	3.00	1400	670
M16-540-08	100	.10	160	.25	820	1.75	1350	3.50	1000	470
M16-610-08	80	.10	130	.25	650	2.00	1030	4.00	800	325

**TENSION**



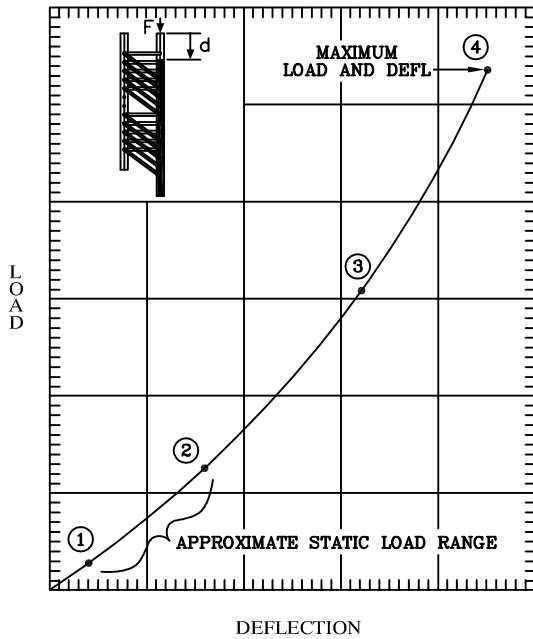
PART NO.	①		②		③		④		K <sub>v</sub> (VIBE) (lbs/in)	K <sub>s</sub> (SHOCK) (lbs/in)
	LOAD (lbs)	DEFL (in)	LOAD (lbs)	DEFL (in)	LOAD (lbs)	DEFL (in)	LOAD (lbs)	DEFL (in)		
M16-325-08	625	.10	1350	.25	2500	.38	6000	.75	6250	6600
M16-350-08	460	.10	1000	.25	2080	.44	5200	.88	4600	4800
M16-375-08	350	.10	750	.25	1850	.50	4500	1.00	3500	3750
M16-425-08	200	.10	420	.25	1350	.63	3250	1.25	2000	2150
M16-490-08	150	.10	340	.25	1200	.75	3000	1.50	1500	1600
M16-540-08	105	.10	225	.25	1050	.88	2500	1.75	1050	1200
M16-610-08	80	.10	180	.25	825	1.00	1950	2.00	825	850

ULTIMATE BREAKING STRENGTH ≈ 25k lbs

TOLL FREE : 888-ISOLATOR  
 FAX : (631) 491-5672  
 WEB SITE : www.isolator.com  
 E-MAIL : sales@isolator.com  
 CAGE : 07QQ7

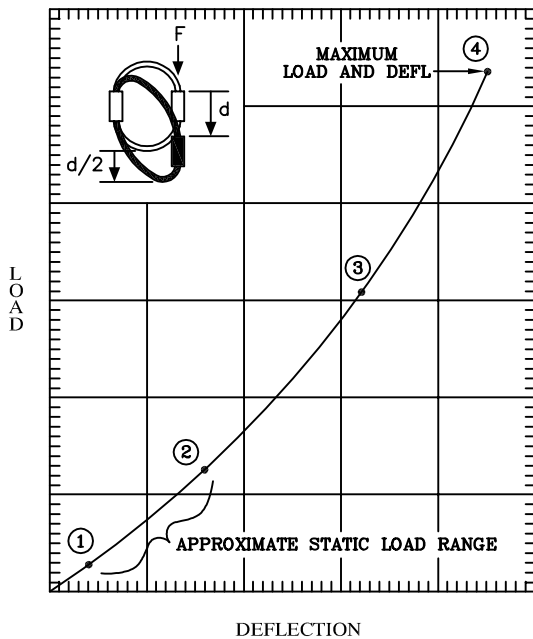


**SHEAR**



PART NO.	①		②		③		④		K <sub>v</sub> (VIBE) (lbs/in)	K <sub>s</sub> (SHOCK) (lbs/in)
	LOAD (lbs)	DEFL (in)	LOAD (lbs)	DEFL (in)	LOAD (lbs)	DEFL (in)	LOAD (lbs)	DEFL (in)		
M16-325-08	150	.10	310	.25	800	.75	2200	1.50	1500	1600
M16-350-08	105	.10	230	.25	700	.88	2000	1.75	1050	1150
M16-375-08	85	.10	180	.25	600	1.00	1680	2.00	850	950
M16-425-08	45	.10	100	.25	425	1.25	1250	2.50	450	500
M16-490-08	35	.10	80	.25	400	1.50	1150	3.00	350	400
M16-540-08	25	.10	55	.25	330	1.75	1080	3.50	250	300
M16-610-08	20	.10	45	.25	250	2.00	825	4.00	200	250

**ROLL**

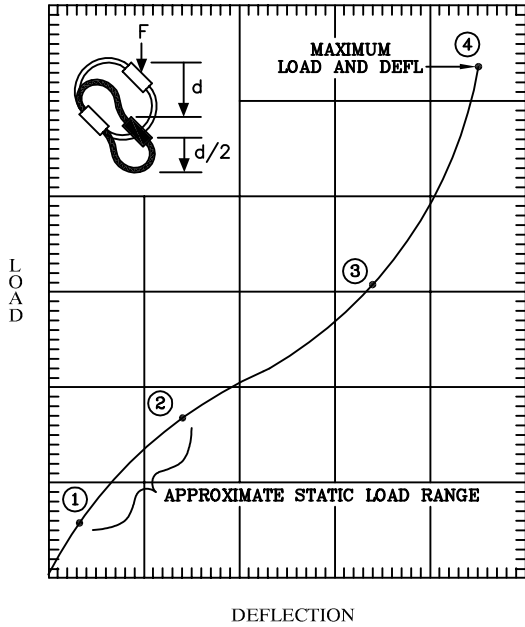


PART NO.	①		②		③		④		K <sub>v</sub> (VIBE) (lbs/in)	K <sub>s</sub> (SHOCK) (lbs/in)
	LOAD (lbs)	DEFL (in)	LOAD (lbs)	DEFL (in)	LOAD (lbs)	DEFL (in)	LOAD (lbs)	DEFL (in)		
M16-325-08	150	.10	310	.25	800	.75	2200	1.50	1500	1600
M16-350-08	105	.10	230	.25	700	.88	2000	1.75	1050	1150
M16-375-08	85	.10	180	.25	600	1.00	1680	2.00	850	950
M16-425-08	45	.10	100	.25	425	1.25	1250	2.50	450	500
M16-490-08	35	.10	80	.25	400	1.50	1150	3.00	350	400
M16-540-08	25	.10	55	.25	330	1.75	1080	3.50	250	300
M16-610-08	20	.10	45	.25	250	2.00	825	4.00	200	250

TOLL FREE : 888-ISOLATOR  
 FAX : (631) 491-5672  
 WEB SITE : www.isolator.com  
 E-MAIL : sales@isolator.com  
 CAGE : 07QQ7

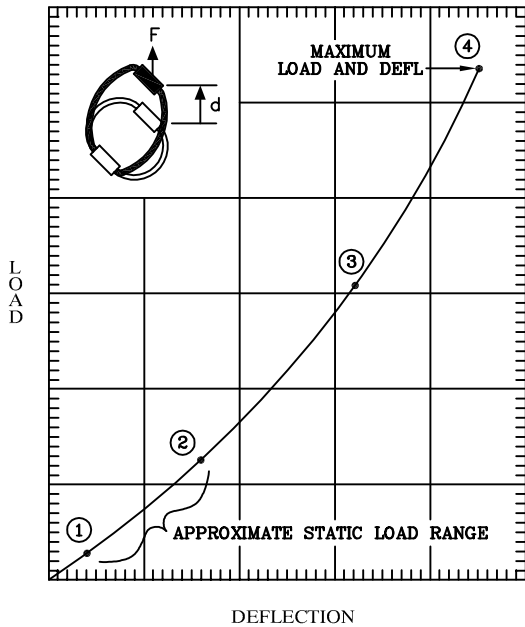


**45° COMPRESSION/ROLL**



PART NO.	①		②		③		④		K <sub>v</sub> (VIBE) (lbs/in)	K <sub>s</sub> (SHOCK) (lbs/in)
	LOAD (lbs)	DEFL (in)	LOAD (lbs)	DEFL (in)	LOAD (lbs)	DEFL (in)	LOAD (lbs)	DEFL (in)		
M16-325-08	375	.10	625	.25	1400	1.50	1750	2.10	3750	1250
M16-350-08	280	.10	465	.25	1250	1.75	1560	2.50	2800	750
M16-375-08	205	.10	360	.25	1050	2.00	1325	2.80	2050	550
M16-425-08	115	.10	200	.25	800	2.50	1000	3.50	1150	350
M16-490-08	90	.10	160	.25	725	3.00	920	4.20	900	250
M16-540-08	65	.10	120	.25	675	3.50	850	5.00	650	200
M16-610-08	50	.10	90	.25	520	4.00	650	5.60	500	150

**45° TENSION/ROLL**



PART NO.	①		②		③		④		K <sub>v</sub> (VIBE) (lbs/in)	K <sub>s</sub> (SHOCK) (lbs/in)
	LOAD (lbs)	DEFL (in)	LOAD (lbs)	DEFL (in)	LOAD (lbs)	DEFL (in)	LOAD (lbs)	DEFL (in)		
M16-325-08	400	.10	825	.25	2000	.50	5000	1.00	4000	4200
M16-350-08	275	.10	625	.25	1900	.63	4750	1.25	2750	3000
M16-375-08	225	.10	475	.25	1700	.75	4250	1.50	2250	2400
M16-425-08	125	.10	250	.25	1100	.88	2600	1.75	1250	1350
M16-490-08	100	.10	210	.25	1025	1.00	2500	2.00	1000	1100
M16-540-08	75	.10	140	.25	840	1.25	2100	2.50	750	800
M16-610-08	55	.10	120	.25	800	1.38	2000	2.75	650	700

