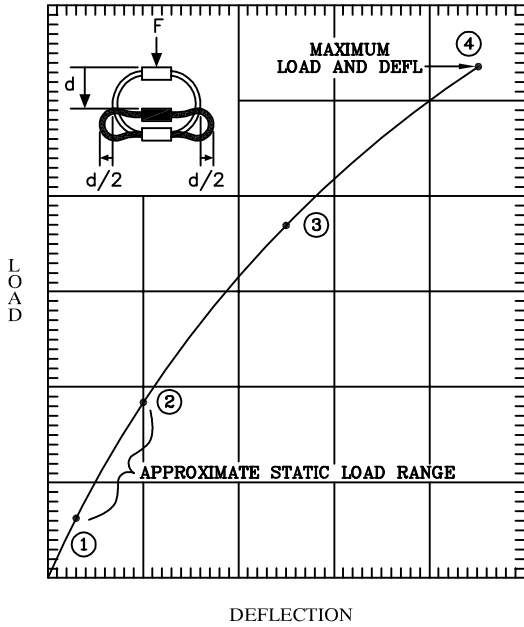
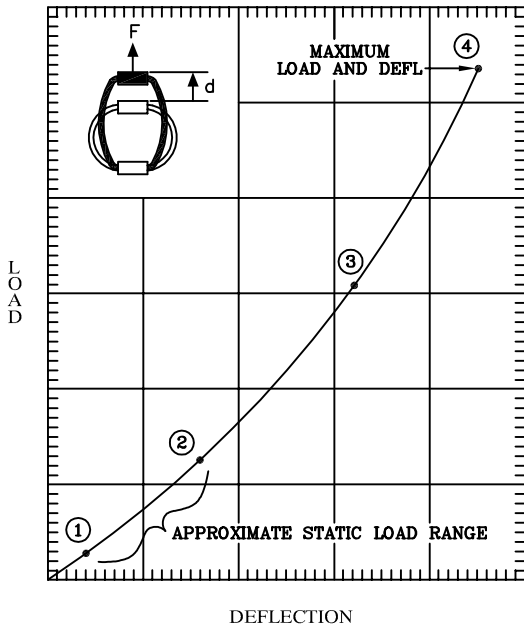


COMPRESSION



PART NO.	①		②		③		④		K _v (VIBE) (lbs/in)	K _s (SHOCK) (lbs/in)
	LOAD (lbs)	DEFL (in)	LOAD (lbs)	DEFL (in)	LOAD (lbs)	DEFL (in)	LOAD (lbs)	DEFL (in)		
M12A-280-06	225	.10	415	.25	810	.70	1110	1.40	2250	1180
M12A-290-06	165	.10	340	.25	700	.75	940	1.50	1650	940
M12A-300-06	128	.10	245	.25	540	.80	770	1.60	1280	675
M12A-325-06	90	.10	170	.25	450	.90	675	1.80	900	500
M12A-350-06	68	.10	135	.25	430	1.00	630	2.00	680	430
M12A-413-06	53	.10	105	.25	375	1.35	545	2.70	530	300
M12A-425-06	38	.10	83	.25	300	1.40	470	2.80	380	215

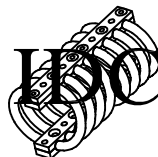
TENSION



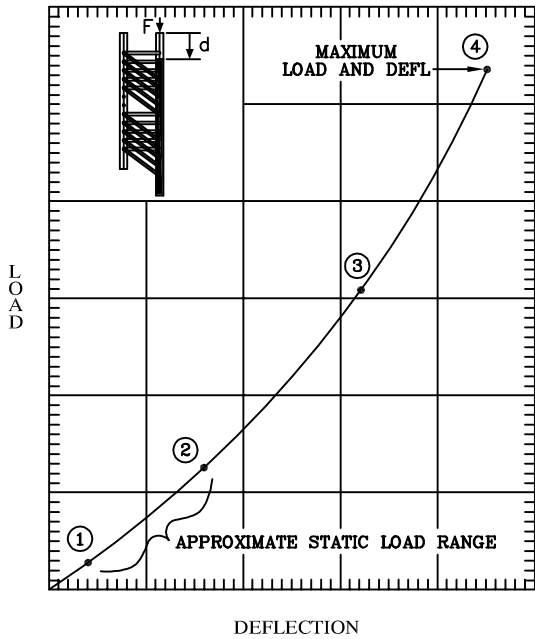
PART NO.	①		②		③		④		K _v (VIBE) (lbs/in)	K _s (SHOCK) (lbs/in)
	LOAD (lbs)	DEFL (in)	LOAD (lbs)	DEFL (in)	LOAD (lbs)	DEFL (in)	LOAD (lbs)	DEFL (in)		
M12A-280-06	250	.10	580	.25	975	.35	2440	.70	2500	2850
M12A-290-06	180	.10	475	.25	850	.38	2110	.75	1800	2250
M12A-300-06	145	.10	340	.25	650	.40	1620	.80	1450	1650
M12A-325-06	100	.10	235	.25	540	.45	1350	.90	1000	1200
M12A-350-06	75	.10	190	.25	505	.50	1275	1.00	750	1000
M12A-413-06	60	.10	150	.25	450	.68	1125	1.35	600	710
M12A-425-06	45	.10	115	.25	360	.70	900	1.40	450	560

ULTIMATE BREAKING STRENGTH ≈ 20k lbs

TOLL FREE : 888-ISOLATOR
 FAX : (631) 491-5672
 WEB SITE : www.isolator.com
 E-MAIL : sales@isolator.com
 CAGE : 07QQ7

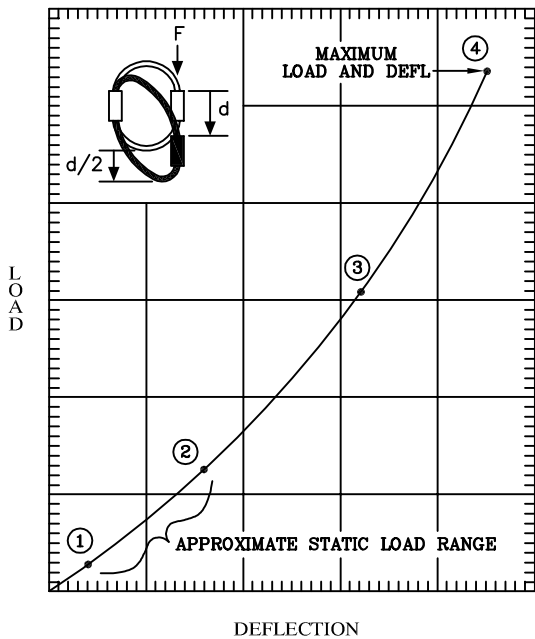


SHEAR



PART NO.	①		②		③		④		K _v (VIBE) (lbs/in)	K _s (SHOCK) (lbs/in)
	LOAD (lbs)	DEFL (in)	LOAD (lbs)	DEFL (in)	LOAD (lbs)	DEFL (in)	LOAD (lbs)	DEFL (in)		
M12A-280-06	56	.10	135	.25	320	.70	885	1.40	560	600
M12A-290-06	40	.10	112	.25	280	.75	750	1.50	400	450
M12A-300-06	30	.10	82	.25	220	.80	620	1.60	300	340
M12A-325-06	22	.10	56	.25	180	.90	540	1.80	220	245
M12A-350-06	16	.10	45	.25	170	1.00	500	2.00	160	190
M12A-413-06	12	.10	34	.25	150	1.35	435	2.70	120	140
M12A-425-06	10	.10	28	.25	120	1.40	375	2.80	100	100

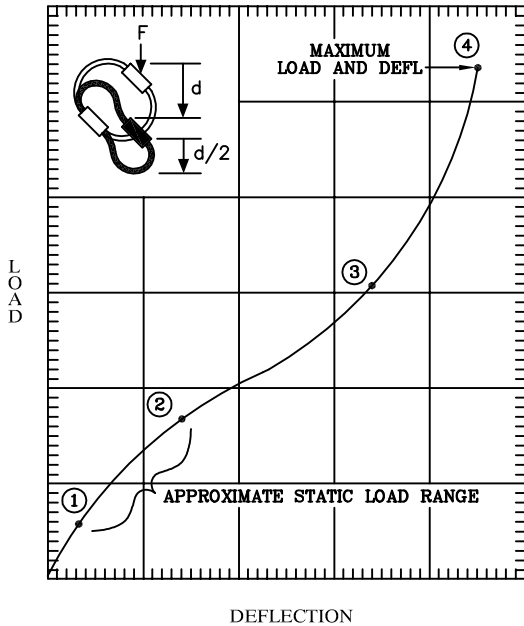
ROLL



PART NO.	①		②		③		④		K _v (VIBE) (lbs/in)	K _s (SHOCK) (lbs/in)
	LOAD (lbs)	DEFL (in)	LOAD (lbs)	DEFL (in)	LOAD (lbs)	DEFL (in)	LOAD (lbs)	DEFL (in)		
M12A-280-06	56	.10	135	.25	320	.70	885	1.40	560	600
M12A-290-06	40	.10	112	.25	280	.75	750	1.50	400	450
M12A-300-06	30	.10	82	.25	220	.80	620	1.60	300	340
M12A-325-06	22	.10	56	.25	180	.90	540	1.80	220	245
M12A-350-06	16	.10	45	.25	170	1.00	500	2.00	160	190
M12A-413-06	12	.10	34	.25	150	1.35	435	2.70	120	140
M12A-425-06	10	.10	28	.25	120	1.40	375	2.80	100	100

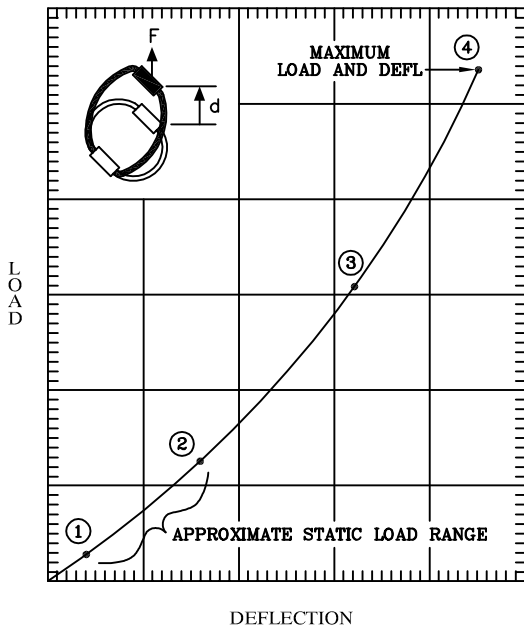


45° COMPRESSION/ROLL



PART NO.	①		②		③		④		K _v (VIBE) (lbs/in)	K _s (SHOCK) (lbs/in)
	LOAD (lbs)	DEFL (in)	LOAD (lbs)	DEFL (in)	LOAD (lbs)	DEFL (in)	LOAD (lbs)	DEFL (in)		
M12A-280-06	135	.10	280	.25	555	1.40	700	2.00	1350	400
M12A-290-06	105	.10	225	.25	470	1.50	585	2.10	1050	315
M12A-300-06	80	.10	165	.25	390	1.60	490	2.25	800	240
M12A-325-06	58	.10	115	.25	340	1.80	420	2.50	580	190
M12A-350-06	40	.10	90	.25	315	2.00	390	2.80	400	160
M12A-413-06	32	.10	68	.25	270	2.70	340	3.80	320	105
M12A-425-06	22	.10	50	.25	230	2.80	290	4.00	220	85

45° TENSION/ROLL



PART NO.	①		②		③		④		K _v (VIBE) (lbs/in)	K _s (SHOCK) (lbs/in)
	LOAD (lbs)	DEFL (in)	LOAD (lbs)	DEFL (in)	LOAD (lbs)	DEFL (in)	LOAD (lbs)	DEFL (in)		
M12A-280-06	150	.10	350	.25	850	.50	2140	1.00	1500	1725
M12A-290-06	115	.10	300	.25	700	.50	1760	1.00	1150	1900
M12A-300-06	88	.10	210	.25	555	.55	1390	1.10	880	1000
M12A-325-06	65	.10	150	.25	420	.60	1050	1.20	650	710
M12A-350-06	45	.10	115	.25	400	.70	1000	1.40	450	560
M12A-413-06	36	.10	90	.25	380	.95	950	1.90	360	410
M12A-425-06	25	.10	68	.25	330	1.00	825	2.00	250	340

