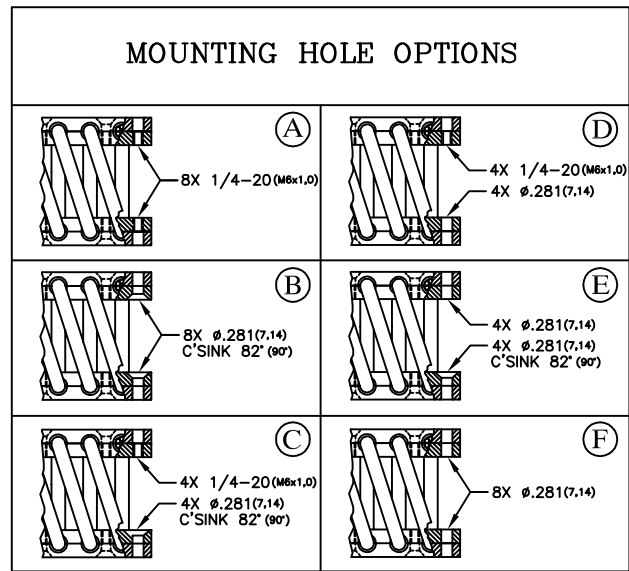


- FEATURES:**
- RUGGED ALL METAL CONSTRUCTION
 - UNEQUALLED TEMP. RANGE: -200°F TO 500°F
 - THREE AXIS CAPABILITY
 - MAINTENANCE FREE
 - FAIL SAFE DESIGN
 - HIGH DAMPING: C/Cc ≈ .20
 - EXCEPTIONAL RELIABILITY AND LONG LIFE
- MATERIALS/FINISHES:**
- CABLE: 300 SERIES SS PER RR-W-410
 - SCREWS: 300 SERIES SS PASSIVATED IAW QQ-P-35C TYPE II
 - INSERTS: 300 SERIES SS PER NAS1130-4-10 (ALUM BARS ONLY)
 - RETAINER BARS: SEE BELOW

PART NUMBER	DIMENSIONS, in.		ISOLATOR WEIGHT (SEE NOTE 3)
	H ±.04	W (REF)	
M12A - 280 - 06 - []	2.80 (71,1)	3.31 (84,1)	1.71lbs (.77kg)
M12A - 290 - 06 - []	2.90 (73,7)	3.50 (88,9)	1.81lbs (.82kg)
M12A - 300 - 06 - []	3.00 (76,2)	4.13 (104,9)	1.91lbs (.86kg)
M12A - 325 - 06 - []	3.25 (82,6)	4.25 (108,0)	2.01lbs (.91kg)
M12A - 350 - 06 - []	3.50 (88,9)	4.25 (108,0)	2.11lbs (.95kg)
M12A - 413 - 06 - []	4.13 (104,9)	4.75 (120,7)	2.21lbs (1.00kg)
M12A - 425 - 06 - []	4.25 (108,0)	5.50 (139,7)	2.41lbs (1.09kg)



EXAMPLE: M12A-325 ISOLATOR WITH 6 LOOPS; 300 SERIES SS BARS WITH PASSIVATION; 1/4-20 THREADS ON BOTH SIDES.

M12A - 325 - 06 - S - A

SERIES	MODEL SIZE	NO. OF CABLE LOOPS	BAR MATERIAL/FINISH	MOUNTING HOLES
• CABLE DIAMETER IN 32NDS	• BASED ON ISOLATOR HEIGHT	• 6 LOOPS STANDARD FOR THE M12A SERIES. • ISOLATOR SPRING RATES ARE DIRECTLY PROPORTIONAL TO NO. OF CABLE LOOPS.	• [] = 6061-T6 ALUM ALLOY/CHEM FILM IAW MIL-DTL-5541, TYPE II, CL 3. • [H] = 6061-T6 ALUM ALLOY/ANODIZED IAW MIL-A-8625, TYPE II CLASS 1. • [S] = 300 SERIES SS/PASSIVATED IAW QQ-P-35C, TYPE II.	• SEE MOUNTING HOLE OPTIONS ABOVE. • ADD 'M' TO END OF P/N FOR METRIC MOUNTING HOLES. • ADD 'L' TO END OF P/N FOR LOCKING INSERTS.

- NOTES:**
- 1) ALL DIMENSIONS IN PARENTHESIS ARE METRIC (mm).
 - 2) SPECIALS AVAILABLE UPON REQUEST (MATERIALS, SIZE, MOUNTING HOLES, FINISH, ETC...)
 - 3) ADD 1.00lbs (.45kg) TO ISOLATOR WEIGHT FOR ALL-STAINLESS STEEL VERSIONS.

TOLL FREE : 888-ISOLATOR
 FAX : (631) 491-5672
 WEB SITE : www.isolator.com
 E-MAIL : sales@isolator.com
 CAGE : 07QQ7

