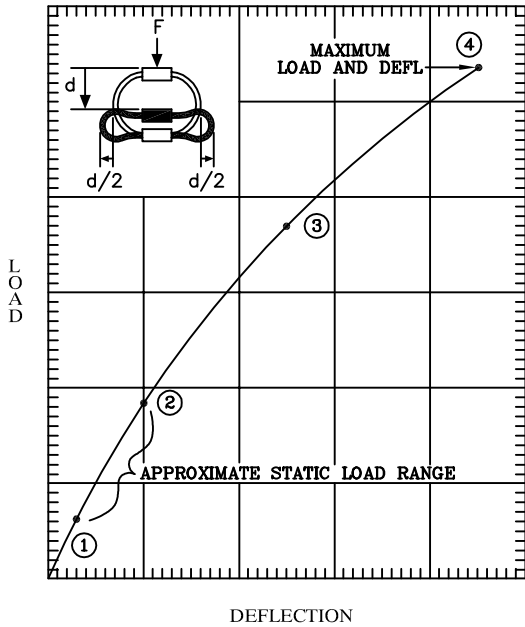
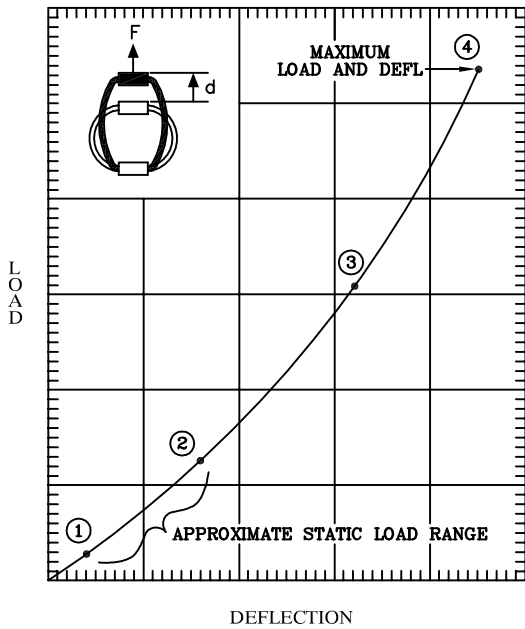


**COMPRESSION**



PART NO.	①		②		③		④		K <sub>v</sub> (VIBE) (lbs/in)	K <sub>s</sub> (SHOCK) (lbs/in)
	LOAD (lbs)	DEFL (in)	LOAD (lbs)	DEFL (in)	LOAD (lbs)	DEFL (in)	LOAD (lbs)	DEFL (in)		
M12-280-08	300	.10	550	.25	1080	.70	1480	1.40	3000	1550
M12-290-08	220	.10	450	.25	940	.75	1250	1.50	2200	1250
M12-300-08	170	.10	325	.25	720	.80	1030	1.60	1700	900
M12-325-08	120	.10	225	.25	600	.90	900	1.80	1200	675
M12-350-08	90	.10	180	.25	575	1.00	840	2.00	900	575
M12-413-08	70	.10	140	.25	500	1.35	725	2.70	700	375
M12-425-08	50	.10	110	.25	400	1.40	625	2.80	500	285

**TENSION**



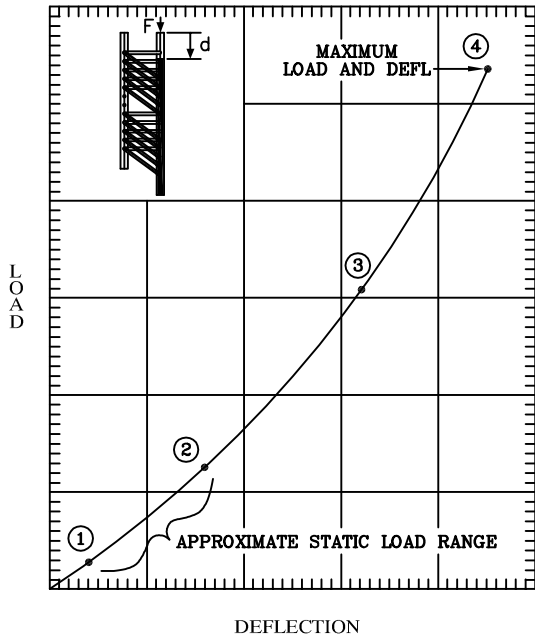
PART NO.	①		②		③		④		K <sub>v</sub> (VIBE) (lbs/in)	K <sub>s</sub> (SHOCK) (lbs/in)
	LOAD (lbs)	DEFL (in)	LOAD (lbs)	DEFL (in)	LOAD (lbs)	DEFL (in)	LOAD (lbs)	DEFL (in)		
M12-280-08	330	.10	770	.25	1300	.35	3250	.70	3330	3800
M12-290-08	240	.10	630	.25	1130	.38	2820	.75	2400	3000
M12-300-08	190	.10	450	.25	865	.40	2160	.80	1900	2200
M12-325-08	130	.10	315	.25	720	.45	1800	.90	1300	1600
M12-350-08	100	.10	250	.25	675	.50	1700	1.00	1000	1350
M12-413-08	80	.10	200	.25	600	.68	1500	1.35	800	950
M12-425-08	60	.10	150	.25	480	.70	1200	1.40	600	750

ULTIMATE BREAKING STRENGTH ≈20k lbs

TOLL FREE : 888-ISOLATOR  
 FAX : (631) 491-5672  
 WEB SITE : www.isolator.com  
 E-MAIL : sales@isolator.com  
 CAGE : 07QQ7

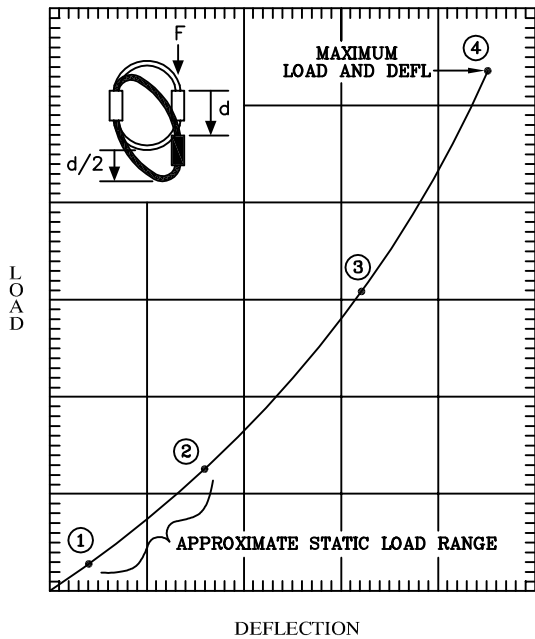


**SHEAR**



PART NO.	①		②		③		④		K <sub>v</sub> (VIBE) (lbs/in)	K <sub>s</sub> (SHOCK) (lbs/in)
	LOAD (lbs)	DEFL (in)	LOAD (lbs)	DEFL (in)	LOAD (lbs)	DEFL (in)	LOAD (lbs)	DEFL (in)		
M12-280-08	75	.10	180	.25	430	.70	1180	1.40	750	800
M12-290-08	55	.10	150	.25	375	.75	1000	1.50	550	600
M12-300-08	42	.10	110	.25	290	.80	825	1.60	420	450
M12-325-08	30	.10	75	.25	240	.90	720	1.80	300	325
M12-350-08	22	.10	60	.25	225	1.00	670	2.00	220	250
M12-413-08	17	.10	45	.25	200	1.35	580	2.70	170	190
M12-425-08	12	.10	37	.25	160	1.40	500	2.80	120	130

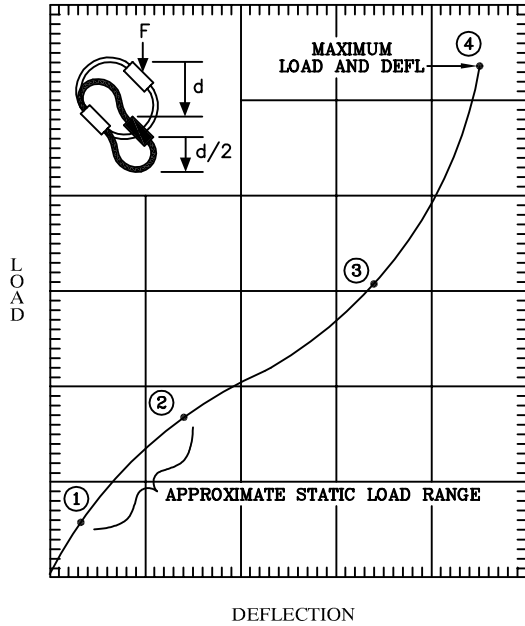
**ROLL**



PART NO.	①		②		③		④		K <sub>v</sub> (VIBE) (lbs/in)	K <sub>s</sub> (SHOCK) (lbs/in)
	LOAD (lbs)	DEFL (in)	LOAD (lbs)	DEFL (in)	LOAD (lbs)	DEFL (in)	LOAD (lbs)	DEFL (in)		
M12-280-08	75	.10	180	.25	430	.70	1180	1.40	750	800
M12-290-08	55	.10	150	.25	375	.75	1000	1.50	550	600
M12-300-08	42	.10	110	.25	290	.80	825	1.60	420	450
M12-325-08	30	.10	75	.25	240	.90	720	1.80	300	325
M12-350-08	22	.10	60	.25	225	1.00	670	2.00	220	250
M12-413-08	17	.10	45	.25	200	1.35	580	2.70	170	190
M12-425-08	12	.10	37	.25	160	1.40	500	2.80	120	130

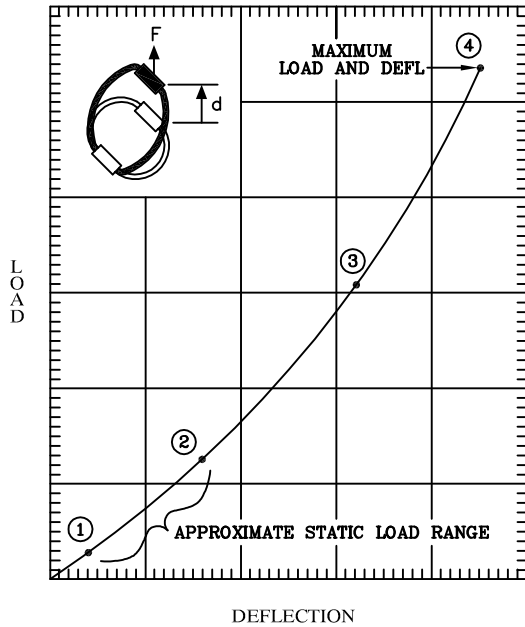


**45° COMPRESSION/ROLL**



PART NO.	①		②		③		④		K <sub>v</sub> (VIBE) (lbs/in)	K <sub>s</sub> (SHOCK) (lbs/in)
	LOAD (lbs)	DEFL (in)	LOAD (lbs)	DEFL (in)	LOAD (lbs)	DEFL (in)	LOAD (lbs)	DEFL (in)		
M12-280-08	180	.10	370	.25	740	1.40	925	2.00	1800	530
M12-290-08	140	.10	300	.25	625	1.50	780	2.10	1400	420
M12-300-08	105	.10	220	.25	515	1.60	650	2.25	1050	320
M12-325-08	75	.10	155	.25	450	1.80	560	2.50	750	250
M12-350-08	55	.10	120	.25	420	2.00	525	2.80	550	210
M12-413-08	43	.10	90	.25	360	2.70	450	3.80	430	140
M12-425-08	30	.10	65	.25	310	2.80	390	4.00	300	110

**45° TENSION/ROLL**



PART NO.	①		②		③		④		K <sub>v</sub> (VIBE) (lbs/in)	K <sub>s</sub> (SHOCK) (lbs/in)
	LOAD (lbs)	DEFL (in)	LOAD (lbs)	DEFL (in)	LOAD (lbs)	DEFL (in)	LOAD (lbs)	DEFL (in)		
M12-280-08	200	.10	475	.25	1140	.50	2850	1.00	2000	2300
M12-290-08	155	.10	390	.25	940	.50	2350	1.00	1550	1900
M12-300-08	115	.10	280	.25	740	.55	1850	1.10	1150	1350
M12-325-08	85	.10	195	.25	560	.60	1400	1.20	850	950
M12-350-08	60	.10	155	.25	530	.70	1325	1.40	600	750
M12-413-08	48	.10	120	.25	510	.95	1275	1.90	480	550
M12-425-08	33	.10	90	.25	440	1.00	1100	2.00	330	450

