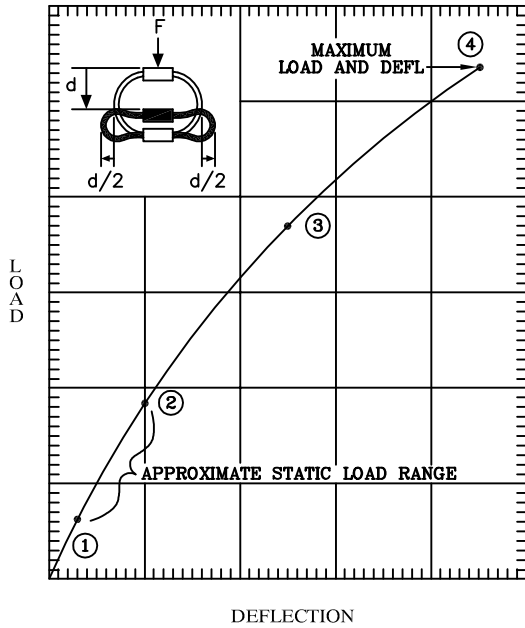
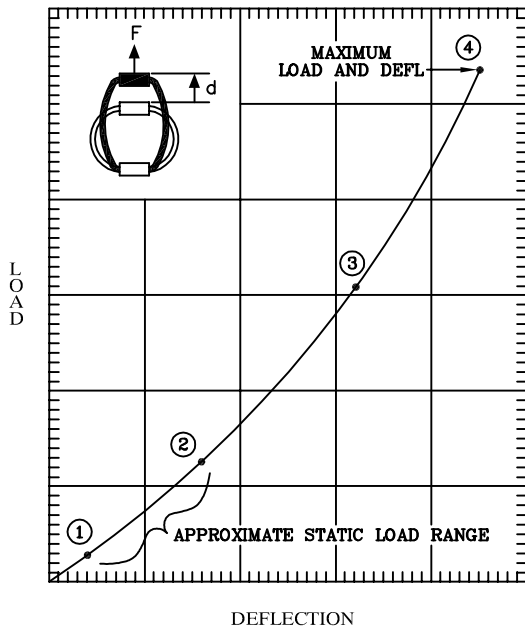


COMPRESSION



| PART NO. | ① | | ② | | ③ | | ④ | | K _v (VIBE) (lbs/in) | K _s (SHOCK) (lbs/in) |
|------------|---------------|--------------|---------------|--------------|---------------|--------------|---------------|--------------|--------------------------------------|---------------------------------------|
| | LOAD (lbs) | DEFL (in) | LOAD (lbs) | DEFL (in) | LOAD (lbs) | DEFL (in) | LOAD (lbs) | DEFL (in) | | |
| M10-215-08 | 169 | .05 | 304 | .10 | 923 | .40 | 1463 | .80 | 3375 | 2306 |
| M10-238-08 | 135 | .05 | 248 | .10 | 833 | .50 | 1193 | 1.00 | 2700 | 1665 |
| M10-256-08 | 90 | .05 | 158 | .10 | 619 | .60 | 945 | 1.20 | 1800 | 1035 |
| M10-270-08 | 30 | .05 | 124 | .10 | 563 | .70 | 855 | 1.40 | 1350 | 810 |
| M10-280-08 | 68 | .05 | 90 | .10 | 405 | .70 | 675 | 1.40 | 990 | 585 |
| M10-285-08 | 38 | .05 | 68 | .10 | 360 | .80 | 596 | 1.60 | 765 | 450 |
| M10-295-08 | 29 | .05 | 54 | .10 | 315 | .80 | 518 | 1.60 | 585 | 394 |
| M10-350-08 | 23 | .05 | 41 | .10 | 270 | 1.00 | 461 | 2.00 | 450 | 270 |

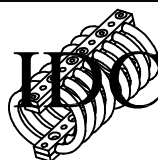
TENSION



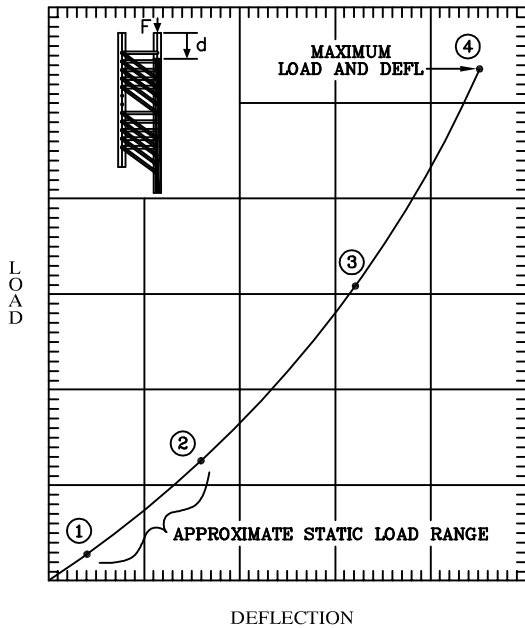
| PART NO. | ① | | ② | | ③ | | ④ | | K _v (VIBE) (lbs/in) | K _s (SHOCK) (lbs/in) |
|------------|---------------|--------------|---------------|--------------|---------------|--------------|---------------|--------------|--------------------------------------|---------------------------------------|
| | LOAD (lbs) | DEFL (in) | LOAD (lbs) | DEFL (in) | LOAD (lbs) | DEFL (in) | LOAD (lbs) | DEFL (in) | | |
| M10-215-08 | 187 | .05 | 428 | .10 | 1103 | .20 | 2768 | .40 | 3735 | 5513 |
| M10-238-08 | 149 | .05 | 349 | .10 | 1001 | .25 | 2498 | .50 | 2970 | 4005 |
| M10-256-08 | 99 | .05 | 225 | .10 | 743 | .30 | 1856 | .60 | 1980 | 2475 |
| M10-270-08 | 74 | .05 | 173 | .10 | 675 | .35 | 1688 | .70 | 1485 | 1935 |
| M10-280-08 | 54 | .05 | 126 | .10 | 484 | .35 | 1215 | .70 | 1080 | 1373 |
| M10-285-08 | 43 | .05 | 95 | .10 | 428 | .40 | 1080 | .80 | 855 | 1069 |
| M10-295-08 | 34 | .05 | 77 | .10 | 383 | .40 | 945 | .80 | 675 | 956 |
| M10-350-08 | 25 | .05 | 56 | .10 | 326 | .50 | 810 | 1.00 | 495 | 653 |

ULTIMATE BREAKING STRENGTH ≈ 4k lbs

TOLL FREE : 888-ISOLATOR
 FAX : (631) 491-5672
 WEB SITE : www.isolator.com
 E-MAIL : sales@isolator.com
 CAGE : 07QQ7

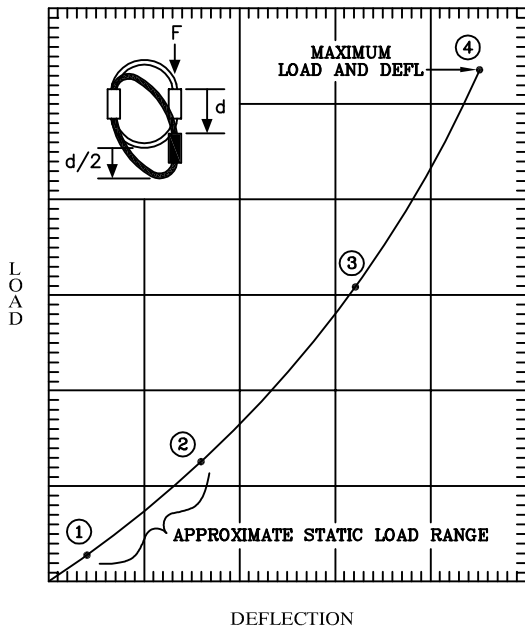


SHEAR



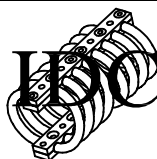
| PART NO. | ① | | ② | | ③ | | ④ | | K _v (VIBE) (lbs/in) | K _s (SHOCK) (lbs/in) |
|------------|---------------|--------------|---------------|--------------|---------------|--------------|---------------|--------------|--------------------------------------|---------------------------------------|
| | LOAD (lbs) | DEFL (in) | LOAD (lbs) | DEFL (in) | LOAD (lbs) | DEFL (in) | LOAD (lbs) | DEFL (in) | | |
| M10-215-08 | 43 | .05 | 101 | .10 | 371 | .40 | 1170 | .80 | 855 | 934 |
| M10-238-08 | 34 | .05 | 83 | .10 | 338 | .50 | 956 | 1.00 | 675 | 720 |
| M10-256-08 | 23 | .05 | 52 | .10 | 248 | .60 | 754 | 1.20 | 450 | 473 |
| M10-270-08 | 17 | .05 | 41 | .10 | 225 | .70 | 686 | 1.40 | 338 | 360 |
| M10-280-08 | 12 | .05 | 29 | .10 | 162 | .70 | 540 | 1.40 | 248 | 270 |
| M10-285-08 | 10 | .05 | 23 | .10 | 144 | .80 | 473 | 1.60 | 191 | 203 |
| M10-295-08 | 7 | .05 | 18 | .10 | 126 | .80 | 416 | 1.60 | 146 | 158 |
| M10-350-08 | 6 | .05 | 14 | .10 | 108 | 1.00 | 371 | 2.00 | 113 | 124 |

ROLL

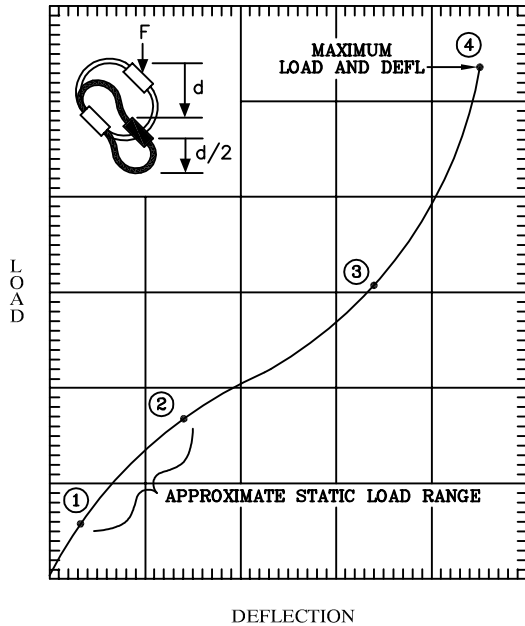


| PART NO. | ① | | ② | | ③ | | ④ | | K _v (VIBE) (lbs/in) | K _s (SHOCK) (lbs/in) |
|------------|---------------|--------------|---------------|--------------|---------------|--------------|---------------|--------------|--------------------------------------|---------------------------------------|
| | LOAD (lbs) | DEFL (in) | LOAD (lbs) | DEFL (in) | LOAD (lbs) | DEFL (in) | LOAD (lbs) | DEFL (in) | | |
| M10-215-08 | 43 | .05 | 101 | .10 | 371 | .40 | 1170 | .80 | 855 | 934 |
| M10-238-08 | 34 | .05 | 83 | .10 | 338 | .50 | 956 | 1.00 | 675 | 720 |
| M10-256-08 | 23 | .05 | 52 | .10 | 248 | .60 | 754 | 1.20 | 450 | 473 |
| M10-270-08 | 17 | .05 | 41 | .10 | 225 | .70 | 686 | 1.40 | 338 | 360 |
| M10-280-08 | 12 | .05 | 29 | .10 | 162 | .70 | 540 | 1.40 | 248 | 270 |
| M10-285-08 | 10 | .05 | 23 | .10 | 144 | .80 | 473 | 1.60 | 191 | 203 |
| M10-295-08 | 7 | .05 | 18 | .10 | 126 | .80 | 416 | 1.60 | 146 | 158 |
| M10-350-08 | 6 | .05 | 14 | .10 | 108 | 1.00 | 371 | 2.00 | 113 | 124 |

TOLL FREE : 888-ISOLATOR
 FAX : (631) 491-5672
 WEB SITE : www.isolator.com
 E-MAIL : sales@isolator.com
 CAGE : 07QQ7

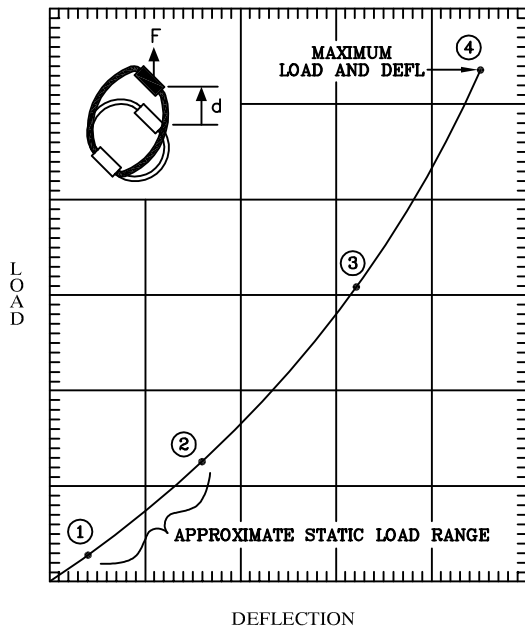


45° COMPRESSION/ROLL



| PART NO. | ① | | ② | | ③ | | ④ | | K _v (VIBE) (lbs/in) | K _s (SHOCK) (lbs/in) |
|------------|---------------|--------------|---------------|--------------|---------------|--------------|---------------|--------------|--------------------------------------|---------------------------------------|
| | LOAD (lbs) | DEFL (in) | LOAD (lbs) | DEFL (in) | LOAD (lbs) | DEFL (in) | LOAD (lbs) | DEFL (in) | | |
| M10-215-08 | 108 | .05 | 203 | .10 | 731 | .80 | 923 | 1.12 | 2160 | 923 |
| M10-238-08 | 86 | .05 | 162 | .10 | 596 | 1.00 | 743 | 1.40 | 1710 | 596 |
| M10-256-08 | 56 | .05 | 101 | .10 | 472 | 1.20 | 596 | 1.70 | 1125 | 394 |
| M10-270-08 | 45 | .05 | 79 | .10 | 428 | 1.40 | 540 | 2.00 | 900 | 315 |
| M10-280-08 | 32 | .05 | 56 | .10 | 338 | 1.40 | 428 | 2.00 | 630 | 248 |
| M10-285-08 | 23 | .05 | 41 | .10 | 293 | 1.60 | 371 | 2.25 | 450 | 191 |
| M10-295-08 | 18 | .05 | 32 | .10 | 259 | 1.60 | 326 | 2.25 | 360 | 169 |
| M10-350-08 | 14 | .05 | 25 | .10 | 236 | 2.00 | 293 | 2.80 | 270 | 124 |

45° TENSION/ROLL



| PART NO. | ① | | ② | | ③ | | ④ | | K _v (VIBE) (lbs/in) | K _s (SHOCK) (lbs/in) |
|------------|---------------|--------------|---------------|--------------|---------------|--------------|---------------|--------------|--------------------------------------|---------------------------------------|
| | LOAD (lbs) | DEFL (in) | LOAD (lbs) | DEFL (in) | LOAD (lbs) | DEFL (in) | LOAD (lbs) | DEFL (in) | | |
| M10-215-08 | 119 | .05 | 270 | .10 | 923 | .28 | 2306 | .56 | 2385 | 3285 |
| M10-238-08 | 95 | .05 | 214 | .10 | 878 | .35 | 2194 | .70 | 1890 | 2520 |
| M10-256-08 | 63 | .05 | 146 | .10 | 731 | .42 | 1856 | .84 | 1260 | 1744 |
| M10-270-08 | 50 | .05 | 108 | .10 | 653 | .50 | 1631 | 1.00 | 990 | 1305 |
| M10-280-08 | 36 | .05 | 81 | .10 | 473 | .50 | 1181 | 1.00 | 720 | 945 |
| M10-285-08 | 25 | .05 | 59 | .10 | 394 | .56 | 990 | 1.12 | 495 | 709 |
| M10-295-08 | 20 | .05 | 47 | .10 | 315 | .56 | 788 | 1.12 | 405 | 563 |
| M10-350-08 | 16 | .05 | 36 | .10 | 293 | .70 | 731 | 1.40 | 315 | 416 |

