

FEATURES:

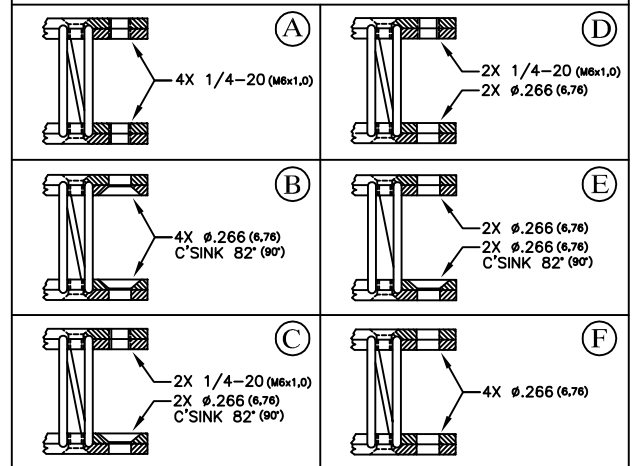
- RUGGED ALL METAL CONSTRUCTION
- UNEQUALLED TEMP. RANGE: -200°F TO 500°F
- THREE AXIS CAPABILITY
- MAINTENANCE FREE
- FAIL SAFE DESIGN
- HIGH DAMPING: C/Cc ≈ .20
- EXCEPTIONAL RELIABILITY AND LONG LIFE

MATERIALS/FINISHES:

- CABLE: 300 SERIES SS PER MIL-W-83420 OR RR-W-410
- SCREWS: 300 SERIES SS PASSIVATED IAW QQ-P-35C TYPE II
- INSERTS: 300 SERIES SS (ALUM BARS ONLY)
- RETAINER BARS: SEE BELOW

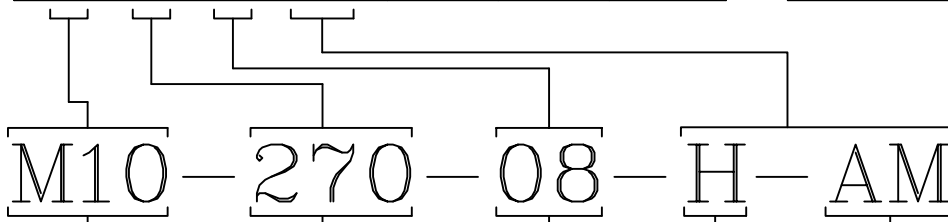
PART NUMBER	DIMENSIONS, in.		ISOLATOR WEIGHT (SEE NOTE 3)
	H ±.04	W (REF)	
M10 - 215 - 08 - []	2.15 (54.6)	2.33 (60.4)	.881bs (.40kg)
M10 - 238 - 08 - []	2.38 (60.5)	2.63 (66.8)	.911bs (.41kg)
M10 - 256 - 08 - []	2.56 (65.0)	2.93 (74.4)	.981bs (.46kg)
M10 - 270 - 08 - []	2.70 (68.6)	3.26 (82.8)	1.041bs (.47kg)
M10 - 280 - 08 - []	2.80 (71.1)	3.63 (92.2)	1.131bs (.51kg)
M10 - 285 - 08 - []	2.85 (72.4)	3.88 (98.6)	1.181bs (.54kg)
M10 - 295 - 08 - []	2.95 (74.9)	4.08 (103.6)	1.211bs (.55kg)
M10 - 350 - 08 - []	3.50 (88.9)	4.38 (111.3)	1.321bs (.60kg)

MOUNTING HOLE OPTIONS



EXAMPLE:

M10-270 ISOLATOR WITH 8 LOOPS, 6061-T6 ALUM BARS WITH ANODIZE, M6x1.0 INSERTS ON BOTH SIDES.



SERIES	MODEL SIZE	NO. OF CABLE LOOPS	BAR MATERIAL/FINISH	MOUNTING HOLES
• CABLE DIAMETER IN 32NDS	• BASED ON ISOLATOR HEIGHT	• 8 LOOPS STANDARD FOR THE M10 SERIES. • ISOLATOR SPRING RATES ARE DIRECTLY PROPORTIONAL TO NO. OF CABLE LOOPS.	• [] = 6061-T6 ALUM ALLOY/CHEM FILM IAW MIL-DTL-5541, TYPE II, CL 3. • [H] = 6061-T6 ALUM ALLOY/ANODIZED IAW MIL-A-8625, TYPE II CLASS 1. • [S] = 300 SERIES SS/PASSIVATED IAW QQ-P-35C, TYPE II.	• SEE MOUNTING HOLE OPTIONS ABOVE. • ADD 'M' TO END OF P/N FOR METRIC MOUNTING HOLES. • ADD 'L' TO END OF P/N FOR LOCKING INSERTS.

NOTES:

- 1) ALL DIMENSIONS IN PARENTHESIS ARE METRIC (mm).
- 2) SPECIALS AVAILABLE UPON REQUEST (MATERIALS, SIZE, MOUNTING HOLES, FINISH, ETC...)
- 3) ADD .461bs (.21kg) TO ISOLATOR WEIGHT FOR ALL-STAINLESS STEEL VERSIONS.

TOLL FREE : 888-ISOLATOR
FAX : (631) 491-5672
WEB SITE : www.isolator.com
E-MAIL : sales@isolator.com
CAGE : 07QQ7

